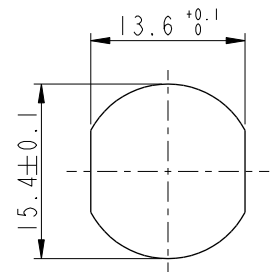


THIS DOCUMENT IS SUBJECT TO CHANGE WITHOUT NOTICE. IT IS CONFIDENTIAL AND A PROPERTY OF Amphenol LTW. DISCLOSURE TO THIRD PARTY HAS TO BE AUTHORIZED BY Amphenol LTW.

REV.	ECN NO.	DATE	SIGN	DESCRIPTION
D	C201578	2020/10/16	Ruru	$\triangle D$ X8
E	C210309	2021/02/24	Ruru	$\triangle E$ X2
F	C221973	2022/12/21	Ruru	$\triangle F$ X1

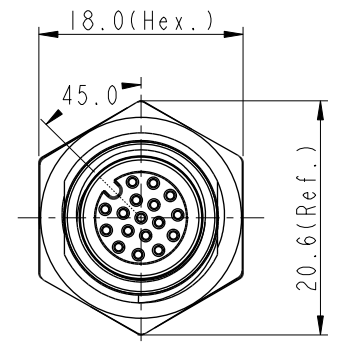
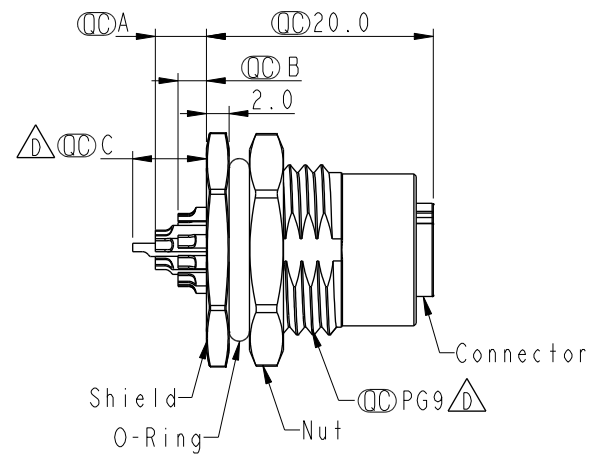
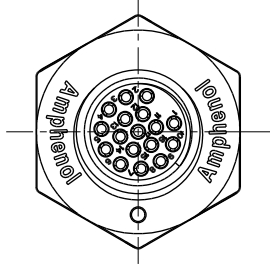


$\triangle B$   
 $\triangle D$

$\triangle C \triangle D$   
M12A-XXPFFS-SF8001

XX: No. Of Pin

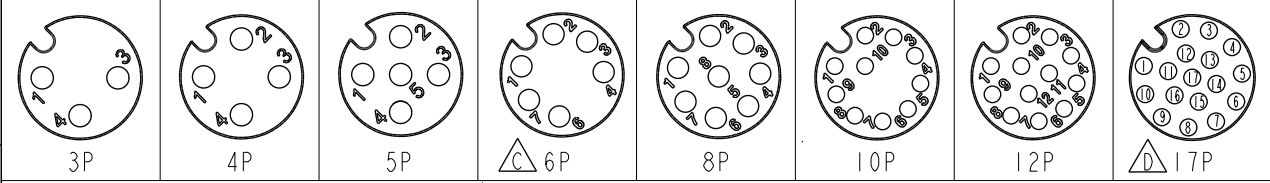
Recommended  
Panel Cut-Out



$\triangle C \triangle D$

M12A-03PFFS-SF8001		2.5	
M12A-04PFFS-SF8001		2.5	
M12A-05PFFS-SF8001		2.5	
M12A-06PFFS-SF8001		2.5	
M12A-08PFFS-SF8001		2.5	
M12A-10PFFS-SF8001	4.5	2.5	
M12A-12PFFS-SF8001	4.5	2.5	
M12A-17PFFS-SF8001	4.5	2.5	6.5
Item No.	A	B	C
	Pin伸出長度		

- $\triangle D \triangle E$  Note:
- \* RoHS Compliant
  - \*  $\triangle C$  Important dimension
  - $\triangle F \triangle C$  \* Waterproof rate: IP68, unmated 1m/24h  
IP69K, unmated
  - \* Connector
  - Housing: Thermoplastic, Black
  - Pin: Copper alloy, Gold plated
  - O-Ring: Rubber, Green
  - \* Shield: Metal
  - \* Nut: Metal
  - \* O-Ring: Rubber, Black
  - \* For panel thickness max: 4.5mm
  - \* Nut is packed separately in pe bag



Pin Assignment Front View

UNIT: mm			TITLE N SEN, M12 A, SCREW RECEPTACLE, F, F, SOLDER $\triangle E$
TOLERANCE	.X ±0.25	.XX ±0.1	SCALE 3:2
.XXX ±0.05	ANGLES ±1°		SIZE A4
			SHEET 1 OF 1
			REV. F
			WC-REV. A.5
			$\triangle C$ : Inspection item

**Amphenol LTW**  
安費諾亮泰企業股份有限公司

ITEM NO.	DRAWN BY	DATE
	Yulong_wang	2016-08-06
DWG NO.	CHECKED BY	DATE
$\triangle A$ M12A-XXPFFS-SF8001	Jinhai	2016-08-06
CUSTOMER	APPROVED BY	DATE
ALTW	Jerry	2016-08-06