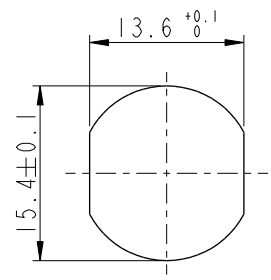


THIS DOCUMENT IS SUBJECT TO CHANGE WITHOUT NOTICE. IT IS CONFIDENTIAL AND A PROPERTY OF Amphenol LTW. DISCLOSURE TO THIRD PARTY HAS TO BE AUTHORIZED BY Amphenol LTW.

REV.	ECN NO.	DATE	SIGN	DESCRIPTION
E	C210023	2021/01/14	Vicky	$\triangle E$ X2
F	C210309	2021/02/24	Ruru	$\triangle F$ X2
G	C221973	2022/12/22	Ruru	$\triangle G$ X1



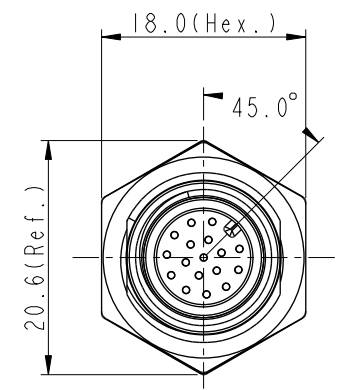
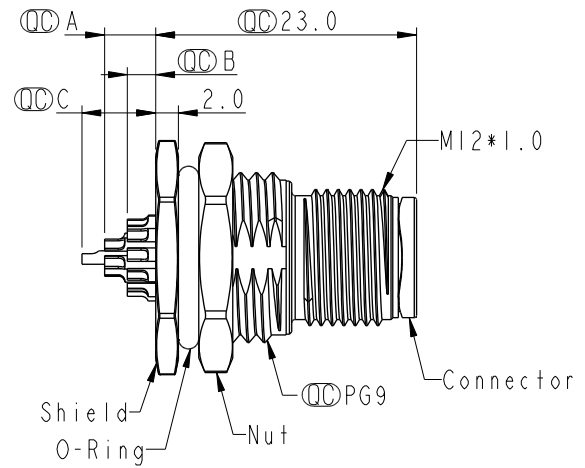
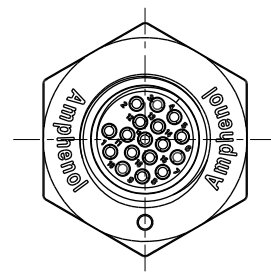
$\triangle B$

$\triangle D$

M12A-XXPMMS-SF8001

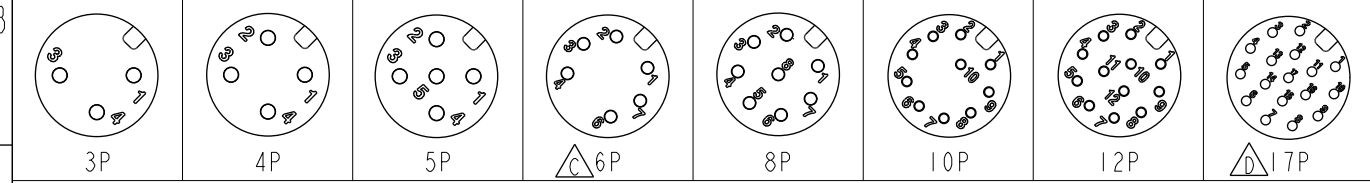
XX: No. Of Pin

Recommended Panel Cut-Out



M12A-03PMMS-SF8001		2.5	
M12A-04PMMS-SF8001		2.5	
M12A-05PMMS-SF8001		2.5	
M12A-06PMMS-SF8001		2.5	$\triangle C$
M12A-08PMMS-SF8001		2.5	
M12A-10PMMS-SF8001	4.5	2.5	
M12A-12PMMS-SF8001	4.5	2.5	
M12A-17PMMS-SF8001	4.5	2.5	6.5 $\triangle D$
Item No.	A	B	C
	Pin伸出長度		

- $\triangle D$   $\triangle F$  Note:
- \* RoHS Compliant
  - \*  $\text{⌀}$  Important dimension
  - \*  $\triangle G$   $\triangle C$  Waterproof rate: IP68, unmated 1m/24h  
IP69K, unmated
  - \* Connector
  - Housing: Thermoplastic, Black
  - Pin: Copper alloy, Gold plated
  - \* Shield: Metal
  - \* Nut: Metal
  - \* O-Ring: Rubber, Black
  - \* For panel thickness max: 4.5mm
  - \* Nut is packed separately in pe bag



Pin Assignment Front View

UNIT: mm		TITLE	N SEN, M12 A, SCREW RECEPTACLE, M, M, SOLDER $\triangle F$	
TOLERANCE	.X ±0.25 .XX ±0.1 .XXX ±0.05 ANGLES ±1°	SCALE	1:1	SIZE A4
		REV.	G	WC-REV. .0
			$\text{⌀}$ : Inspection item	

**Amphenol LTW**  
安費諾亮泰企業股份有限公司

ITEM NO.	DRAWN BY	DATE
	Yulong_Wang	2016-08-08
DWG NO.	CHECKED BY	DATE
$\triangle D$ M12A-XXPMMS-SF8001	Jinhai	2016-08-08
CUSTOMER	APPROVED BY	DATE
ALTW	Jerry	2016-08-08