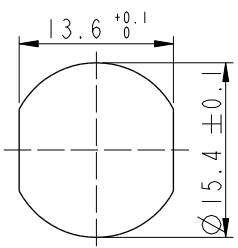


THIS DOCUMENT IS SUBJECT TO CHANGE WITHOUT NOTICE. IT IS CONFIDENTIAL AND A PROPERTY OF Amphenol LTW. DISCLOSURE TO THIRD PARTY HAS TO BE AUTHORIZED BY Amphenol LTW.

REV.	ECN NO.	DATE	SIGN	DESCRIPTION
D	C210309	2021/02/24	Ruru	△D X6
E	C210798	2021/05/21	Ruru	△E X1
F	C221973	2022/12/21	Ruru	△F X1



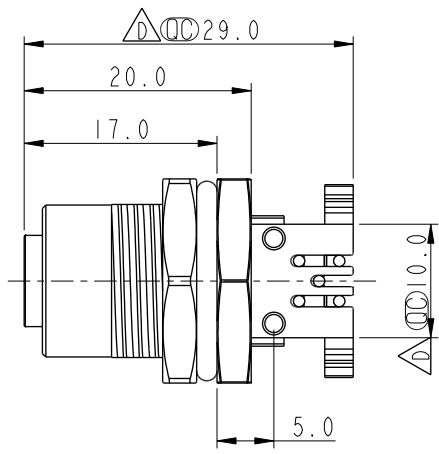
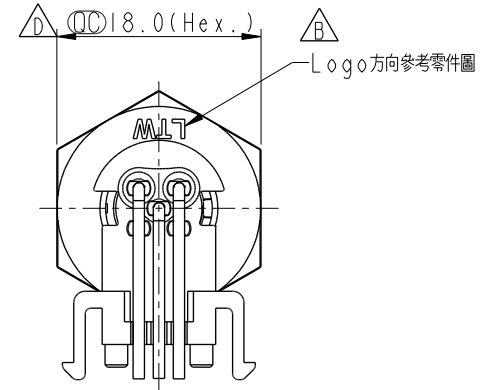
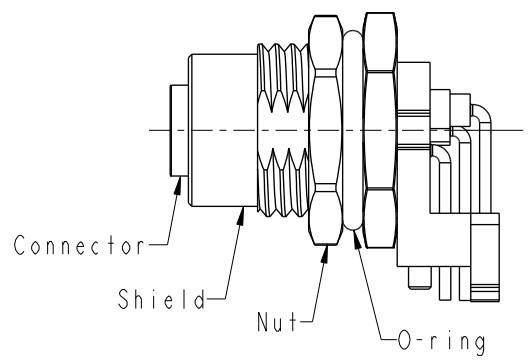
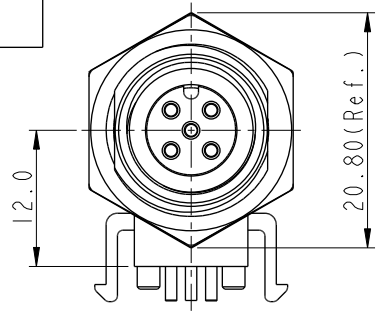
△C

△C

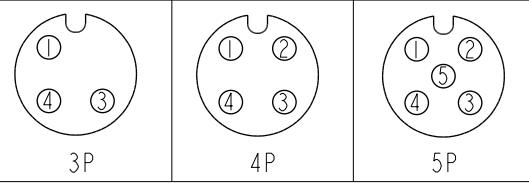
M12A-XXPFFR-SF8001

XX: No. Of Pin

Recommended Panel Cut-Out



- △C△D Note:
- * RoHS Compliant
 - * Ⓞ Important dimension
 - △F * Waterproof rate: IP68, unmated 1m/24h
IP69K, unmated
 - * Connector
 - Housing: Thermoplastic, Black
 - Pin: Copper alloy, Gold plated
 - △E * O-Ring: Rubber, Gray
 - * Shield: Metal
 - * Nut: Metal
 - * O-Ring: Rubber, Black
 - * For panel thickness max: 4.5mm
 - * For pcb thickness max: 1.6mm
 - * Nut is packed separately in pe bag



Pin Assignment Front View

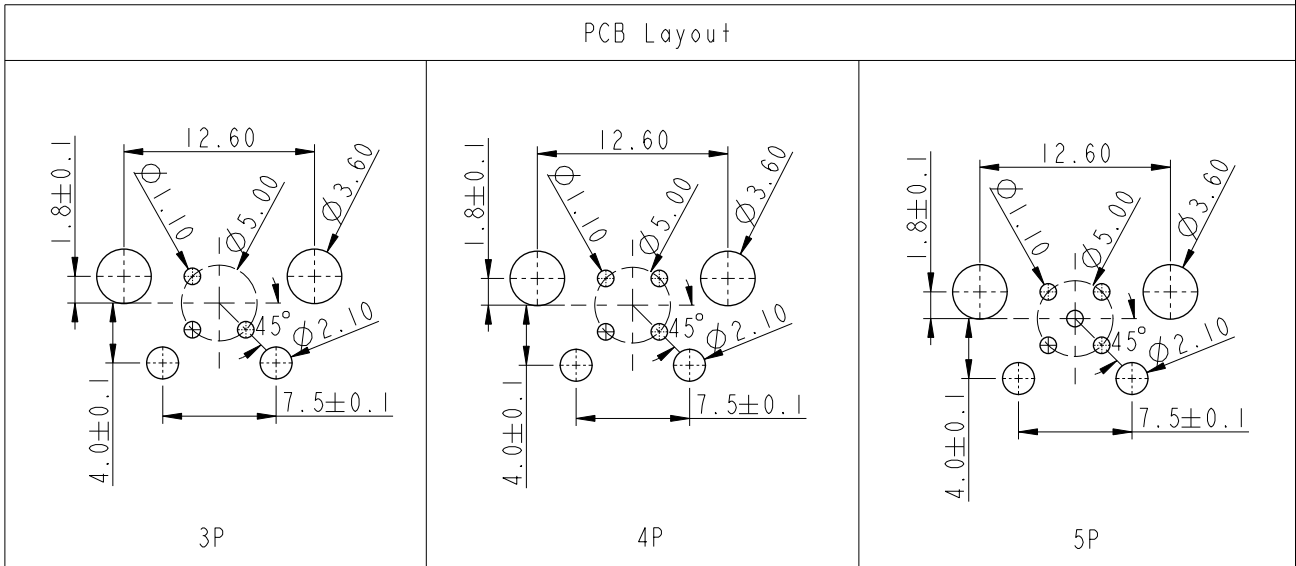
UNIT:mm			TITLE N SEN, M12 A, SCREW RECEPTACLE, F, F, PCB R △D
TOLERANCE .X ±0.25 .XX ±0.1 .XXX ±0.05 ANGLES ±1°	SCALE 3:2	SIZE A4	SHEET 1 OF 2
	REV. F	WC-REV. A.2	Ⓞ: Inspection item

Amphenol LTW
安費諾亮泰企業股份有限公司

ITEM NO	DRAWN BY	DATE
	Frank Deng	2017-10-23
DWG NO △C M12A-XXPFFR-SF8001	CHECKED BY	DATE
	Fisher Wang	2017-10-23
CUSTOMER	APPROVED BY	DATE
ALTW	Kevin Hu	2017-10-23

1 2 3 4 5 6 7 8

F
E
D
C
B
A



UNIT: mm		TITLE N SEN, M12 A, SCREW RECEPTACLE, F, F, PCB R	
TOLERANCE		SCALE	SIZE
.X	±0.25	3:2	A4
.XX	±0.1		
.XXX	±0.05	REV.	WC-REV.
ANGLES	±1°	F	A.2
		SHEET 2 OF 2	
		☉: Inspection item	

Amphenol LTW
安費諾亮泰企業股份有限公司

ITEM NO	DRAWN BY	DATE
	Frank Deng	2017-10-23
DWG NO	CHECKED BY	DATE
M12A-XXPFFR-SF8001	Fisher Wang	2017-10-23
CUSTOMER	APPROVED BY	DATE
ALTW	Kevin Hu	2017-10-23

2 3 4 5 6 7 8 W10814-03-001A2