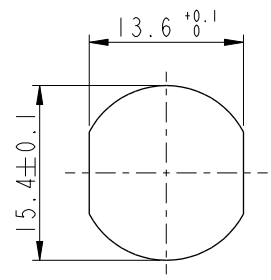


THIS DOCUMENT IS SUBJECT TO CHANGE WITHOUT NOTICE. IT IS CONFIDENTIAL AND A PROPERTY OF Amphenol LTW. DISCLOSURE TO THIRD PARTY HAS TO BE AUTHORIZED BY Amphenol LTW.

REV.	ECN NO.	DATE	SIGN	DESCRIPTION
E	C210023	2021/01/14	Vicky	$\triangle E$ X2
F	C210309	2021/02/25	Ruru	$\triangle F$ X2
G	C221973	2022/12/22	Ruru	$\triangle G$ X1



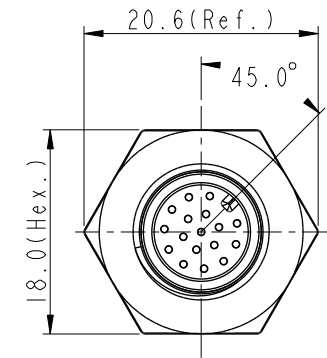
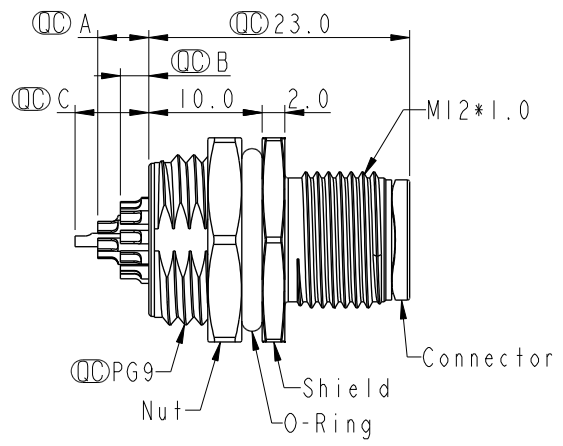
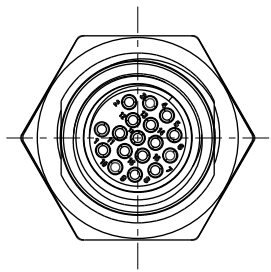
$\triangle B$

$\triangle D$

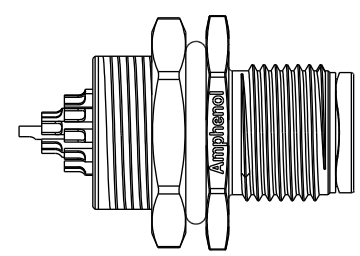
M12A-XXPMMS-SH8001

XX: No. Of Pin

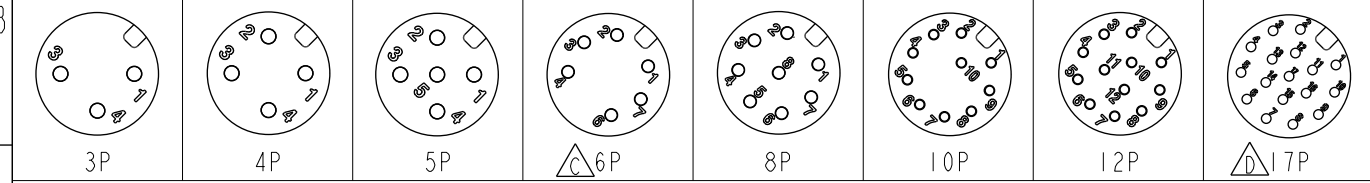
Recommended Panel Cut-Out



M12A-03PMMS-SH8001		2.5	
M12A-04PMMS-SH8001		2.5	
M12A-05PMMS-SH8001		2.5	
M12A-06PMMS-SH8001		2.5	$\triangle C$
M12A-08PMMS-SH8001		2.5	
M12A-10PMMS-SH8001	4.5	2.5	
M12A-12PMMS-SH8001	4.5	2.5	
M12A-17PMMS-SH8001	4.5	2.5	6.5 $\triangle D$
Item No.	A	B	C
	Pin伸出長度		



- $\triangle D$ $\triangle F$ Note:
- * RoHS Compliant
 - * Ⓞ Important dimension
 - $\triangle G$ $\triangle C$ * Waterproof rate: IP68, unmated 1m/24h
IP69K, unmated
 - * Connector
 - Housing: Thermoplastic, Black
 - Pin: Copper alloy, Gold plated
 - Shield: Metal
 - $\triangle E$ * Nut: Metal
 - * O-Ring: Rubber, Black
 - * For panel thickness max: 4.5mm
 - * Nut is packed separately in pe bag



Pin Assignment Front View

UNIT: mm			TITLE N SEN, M12 A, SCREW RECEPTACLE, M, M, SOLDER $\triangle F$
TOLERANCE .X ±0.25 .XX ±0.1 .XXX ±0.05 ANGLES ±1°	SCALE 1:1	SIZE A4	SHEET 1 OF 1
	REV. G	WC-REV. A.5	Ⓞ : Inspection item

Amphenol LTW
安費諾亮泰企業股份有限公司

ITEM NO.	DRAWN BY Yulong_Wang	DATE 2016-08-06
DWG NO. $\triangle A$ M12A-XXPMMS-SH8001	CHECKED BY Jinhai	DATE 2016-08-06
CUSTOMER ALTW	APPROVED BY Jerry	DATE 2016-08-06