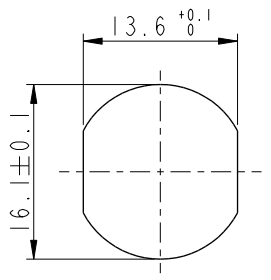


THIS DOCUMENT IS SUBJECT TO CHANGE WITHOUT NOTICE. IT IS CONFIDENTIAL AND A PROPERTY OF Amphenol LTW. DISCLOSURE TO THIRD PARTY HAS TO BE AUTHORIZED BY Amphenol LTW.

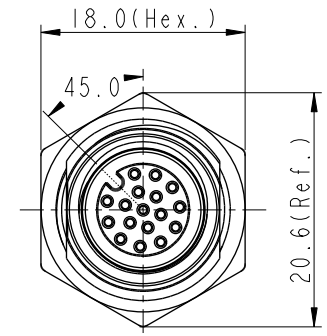
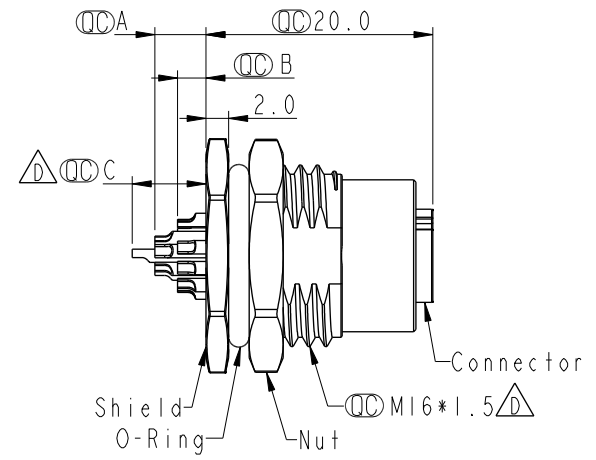
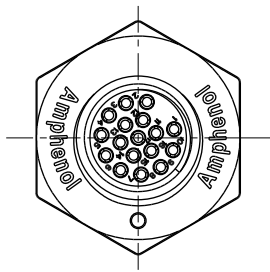
REV.	ECN NO.	DATE	SIGN	DESCRIPTION
D	C201578	2020/10/16	Ruru	△D X8
E	C210309	2021/02/24	Ruru	△E X2
F	C221973	2022/12/21	Ruru	△F X1



△C △D
M12A-XXPFFS-SF8002

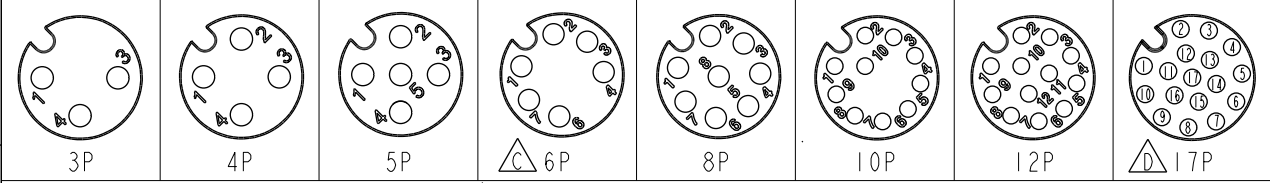
XX: No. Of Pin

Recommended Panel Cut-Out



M12A-03PFFS-SF8002		2.5	
M12A-04PFFS-SF8002		2.5	
M12A-05PFFS-SF8002		2.5	
M12A-06PFFS-SF8002		2.5	
M12A-08PFFS-SF8002		2.5	
M12A-10PFFS-SF8002	4.5	2.5	
M12A-12PFFS-SF8002	4.5	2.5	
M12A-17PFFS-SF8002	4.5	2.5	6.5
Item No.	A	B	C
	Pin 伸出長度		

- △D △E Note:
- * RoHS Compliant
 - * Ⓞ Important dimension
 - △F △C * Waterproof rate: IP68, unmated 1m/24h
IP69K, unmated
 - * Connector
 - Housing: Thermoplastic, Black
 - Pin: Copper alloy, Gold plated
 - O-Ring: Rubber, Green
 - * Shield: Metal
 - * Nut: Metal
 - * O-Ring: Rubber, Black
 - * For panel thickness max: 4.5mm
 - * Nut is packed separately in pe bag



Pin Assignment Front View

UNIT: mm			TITLE N SEN, M12 A, SCREW RECEPTACLE, F, F, SOLDER △E
TOLERANCE .X ±0.25 .XX ±0.1 .XXX ±0.05 ANGLES ±1°	SCALE 3:2	SIZE A4	SHEET 1 OF 1
	REV. F	WC-REV. A.5	Ⓞ: Inspection item

Amphenol LTW
安費諾亮泰企業股份有限公司

ITEM NO.	DWG NO.	CUSTOMER	DRAWN BY	DATE
	M12A-XXPFFS-SF8002	ALTW	Yulong_wang	2016-08-06
			CHECKED BY	DATE
			Jinhai	2016-08-06
			APPROVED BY	DATE
			Jerry	2016-08-06