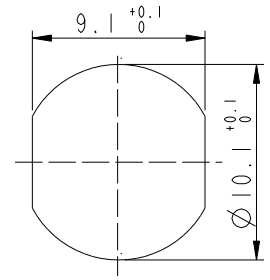


THIS DOCUMENT IS SUBJECT TO CHANGE WITHOUT NOTICE. IT IS CONFIDENTIAL AND A PROPERTY OF Amphenol LTW. DISCLOSURE TO THIRD PARTY HAS TO BE AUTHORIZED BY Amphenol LTW.

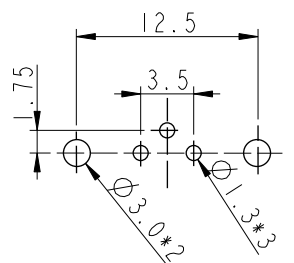
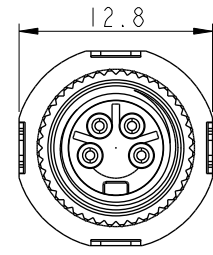
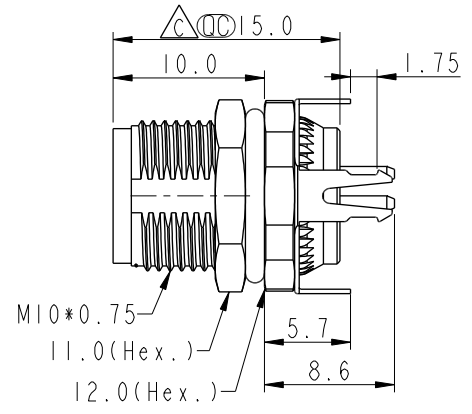
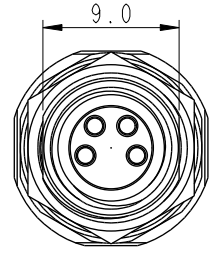
REV.	ECN NO.	DATE	SIGN	DESCRIPTION
B	C192053	2019/11/21	JC Chen	XI
C	C210686	2021/05/12	Vicky	X4
D	C221882	2022/12/19	Vicky	XI



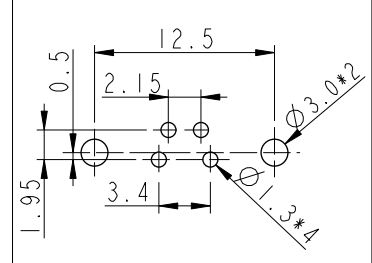
Recommended Panel Cut-Out

M8S-XXPFFP-SF8001

XX: No. Of Pin

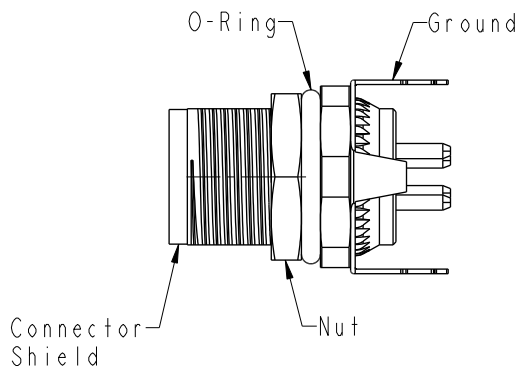


3P

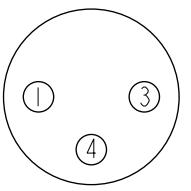


4P

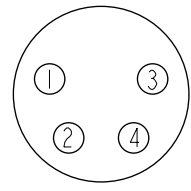
PCB Layout



- Note:
- * RoHS Compliant
 - * Important dimension
 - * Waterproof rate: IP68, unmated 1m/24h
 - * Connector
 - Housing: Thermoplastic, Black
 - Pin: Copper alloy, Gold plated
 - O-Ring: Rubber, Green
 - * Shield: Metal
 - * Ground: Metal
 - * Nut: Metal
 - * O-Ring: Rubber, Green
 - * For panel thickness: 2.0~4.5mm
 - * For pcb thickness max: 1.6mm
 - * Nut is packed separately in pe bag



3P



4P

Pin Assignments Front View

UNIT: mm		TITLE	
TOLERANCE		N SEN, M8-SHLD, SCREW RECEPTACLE, F, F, PCB S	
.X ±0.25		SCALE 2:1	SIZE A4
.XX ±0.1		REV. D	WC-REV. .0
.XXX ±0.05		Inspection item	
ANGLES ±1°			

Amphenol LTW
安費諾亮泰企業股份有限公司

ITEM NO	DRAWN BY	DATE
	Joyy	2016-12-05
DWG NO	CHECKED BY	DATE
M8S-XXPFFP-SF8001	Yulong_Wang	2016-12-05
CUSTOMER	APPROVED BY	DATE
ALTW	Jerry	2016-12-05