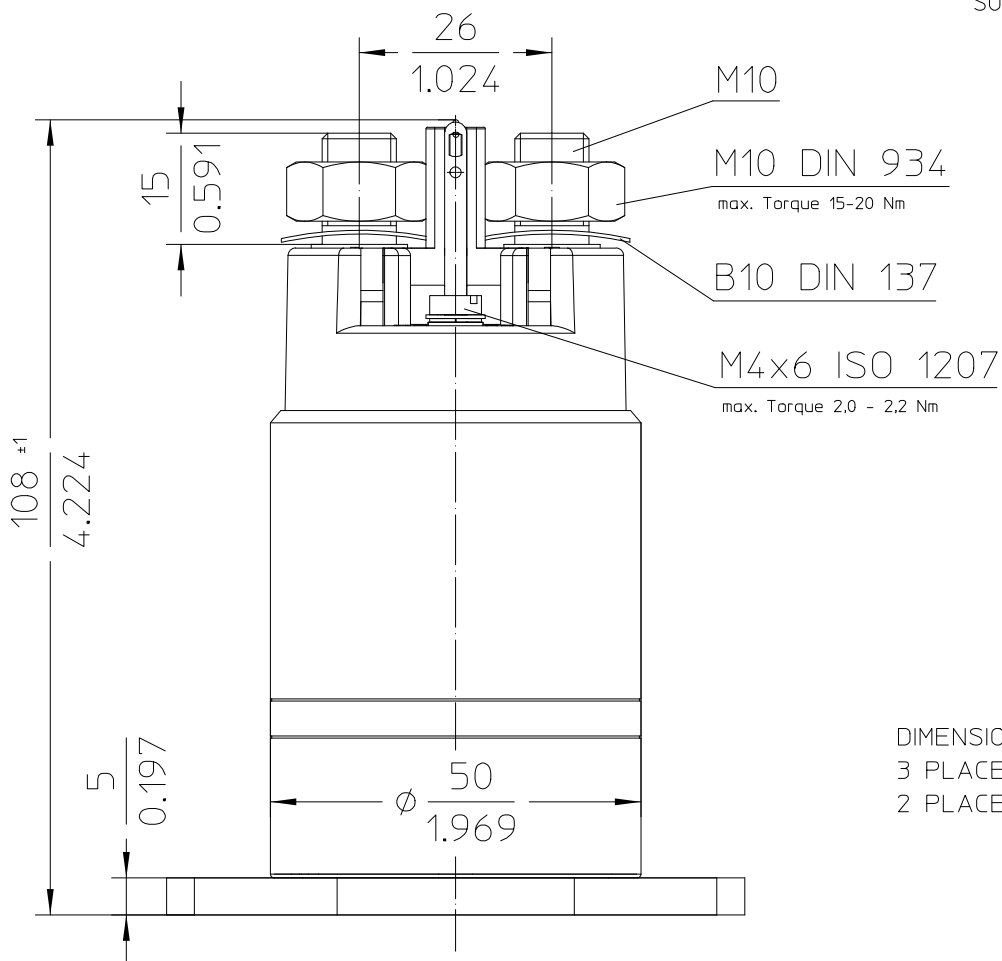
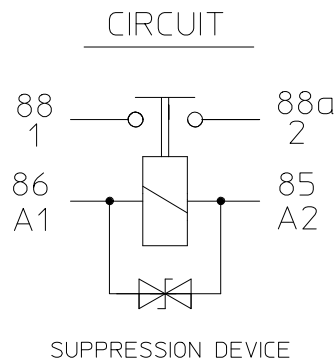
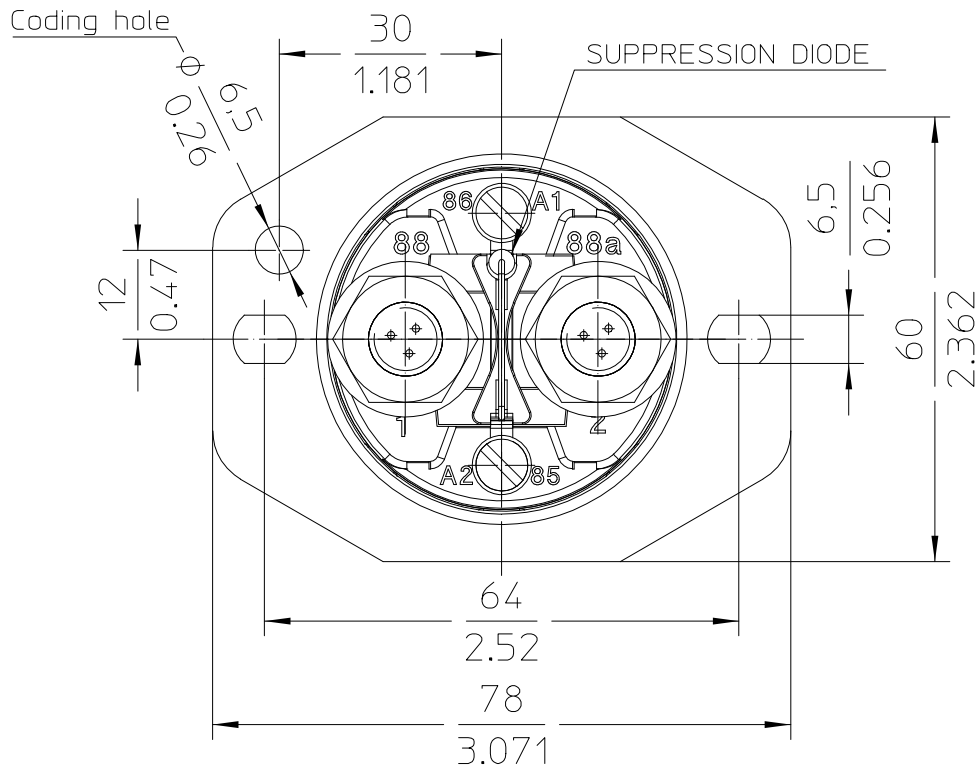


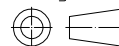
300AMP.POWER RELAY (12VDC)

BOTTOM MOUNTING ENVIRONMENTALLY SEALED



DIMENSIONAL TOLERANCES
 3 PLACE DECIMAL ±0.010
 2 PLACE DECIMAL ±0.03
 ANGULAR +0°30'

Third Angle Projection



For this drawing we reserve the copyright in accordance with DIN ISO 16016

	Date	Name
Create	03.06.2015	Mielk
Edited	16.10.2019	Mielk
Check	18.10.2019	Kaise

mm Inch	Scale 1:1
General Tolerances DIN ISO 2768 cL	



Drawing No:	29-313-11
NSN:	

