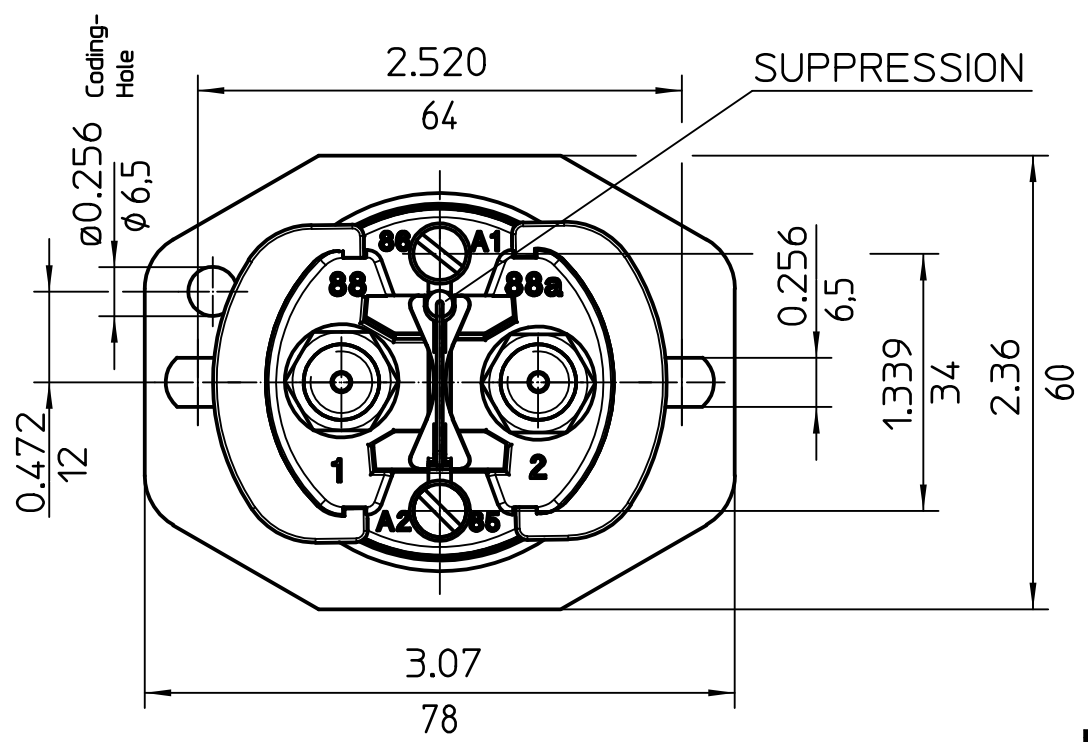
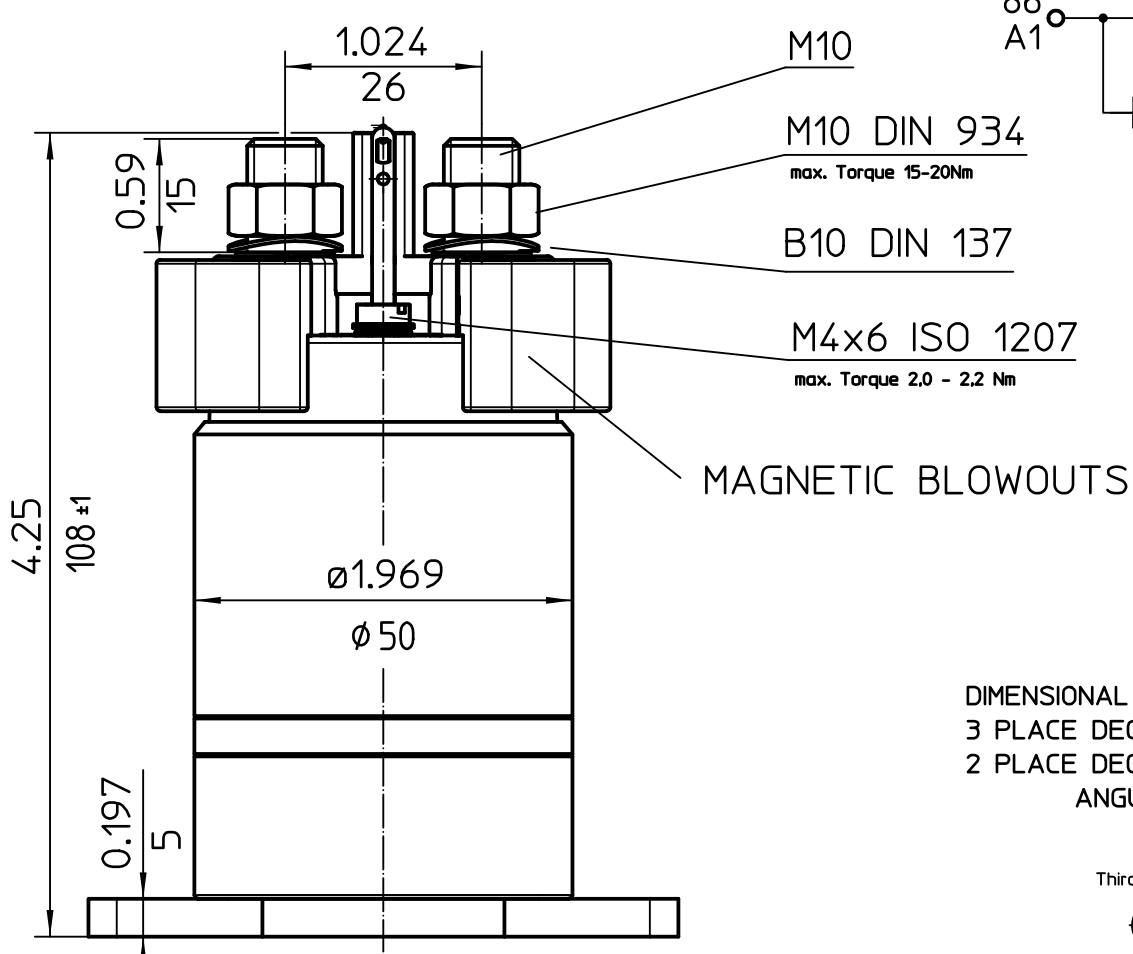
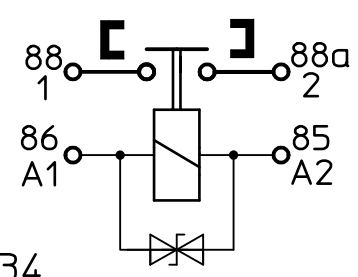


ENVIRONMENTALLY SEALED BOTTOM MOUNTING SUPPRESSION MAGNETIC BLOWOUTS

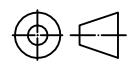


CIRCUIT:



DIMENSIONAL TOLERANCES
 3 PLACE DECIMAL ±0.010
 2 PLACE DECIMAL ±0.03
 ANGULAR ±0°30'

Third Angle Projection



Date	Name	mm	Scale
13.08.2013	Mielk	mm	1:1
General Tolerances			
DIN ISO 2768 cL			

Drawing No:	29-313-11-910BS
NSN.:	

ENVIRONMENTALLY SEALED BOTTOM MOUNTING SUPPRESSION MAGNETIC BLOWOUTS

TECHNICAL DATA

ENVIRONMENTAL CHARACTERISTICS

TEMPERATUR RANGE.....-40°C TO +85°C (-40°F TO +185°F)
 MAX. ALTITUDE RATING.....50 000FT
 SEAL.....IP67 (6FEET/0,2BAR-1MIN.) I.A.W. IEC 529
 IP6K9K (STEAM PRESSURE) DIN 40050 PART 9 AND I.A.W. IEC 529
 SHOCK G-LEVEL.....6G/11 MSEC
 VIBRATION.....4G/50-2000 Hz

ELECTRICAL CHARACTERISTICS

MIN.INSULATION RESISTANCE;INITIAL.....100 MEGOHMS
 AFTER LIFE OR ENVIRONMENTAL.....50 MEGOHMS
 DIELECTRIC WITHSTANDING VOLTAGE SEA-LEVEL 1MINUTE.....1 050 VOLTS
 ALTITUDE 1MINUTE.....500 VOLTS
 MAX.CONTACT DROP INITIAL.....0,15 VOLTS
 AFTER LIFE TEST.....0,175 VOLTS
 OVERLOAD.....2400 AMP FOR 1 SEC.,600 AMP FOR 20 SEC
 DUTY RATING.....300AMP CONTINUOUS

RATED CONTACT LOAD

RESISTIVE LOAD.....200 000 CYCLES WITH 300 AMP
 INDUCTIVE LOAD.....40 000 CYCLES WITH 75 AMP
 MOTOR LOAD.....200 000 CYCLES WITH 300 AMP
 ENDURANCE.....2 000 000 CYCLES

OPERATING CHARACTERISTICS

COIL DATA

28VDC INTERMITTENT DUTY COIL (ON TIME MAX: 1MINUTE)
 VOLTAGE RANGE.....12-32 VDC
 NOMINAL VOLTAGE.....28 VDC
 PICK UP VOLTAGE MAX.12 VDC FULL TEMP.RANGE
 DROP OUT VOLTAGE MAX.<3 VDC FULL TEMP.RANGE
 COIL RESISTANCE.....15 OHMS ±10%
 COIL CURRENT APPROX.1.8 AMP
 COIL POWER APPROX.52 WATT

TIME MILLISECONDS-MAX.


OPERATE (Opening).....30
 BOUNCE.....10
 RELEASE (Closing).....40

WEIGHT.....0,82kg= 1,81 POUND MAX.

WIRE SECTION (AT NOMINAL LOAD).....MIN. 95mm² /0,147 sq. in./ AWG 0000

MOUNTING POSITION.....OPTIONAL

SUBJECT TO CHANGE

	Date	Name	mm	Scale		Drawing No:
Drawn	13.08.2013	Mielk	←	1:1		29-313-11-910BS
Check	12.08.2015	Mielk	General Tolerances			NSN: