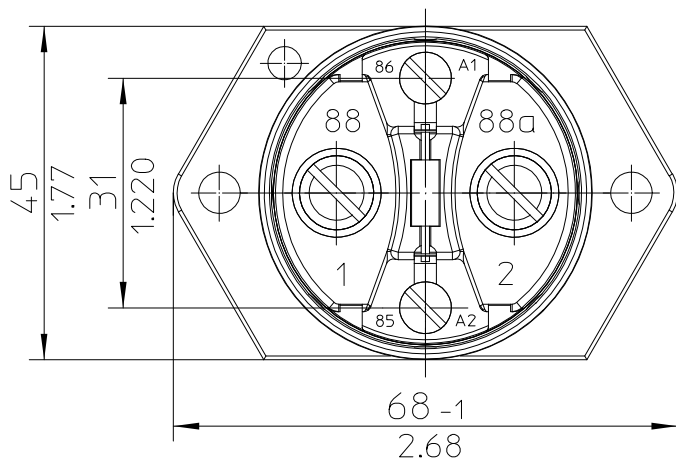
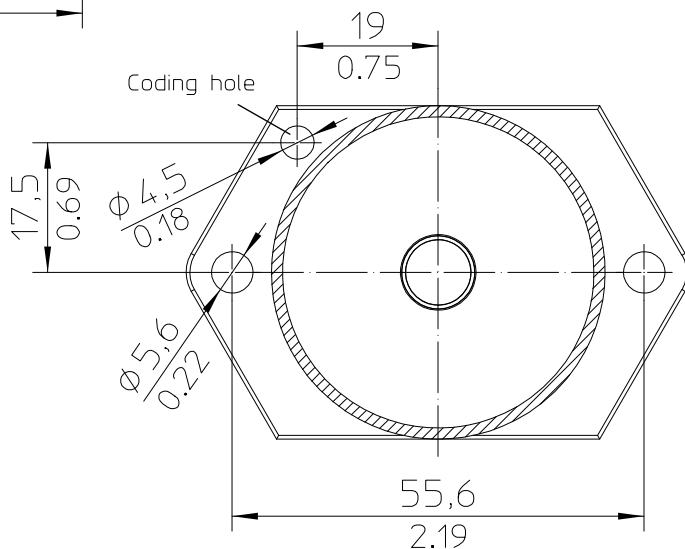


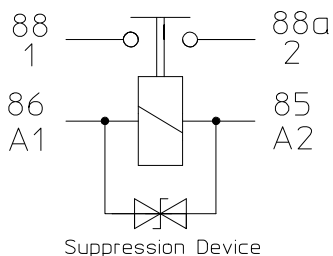
Bottom Mounting



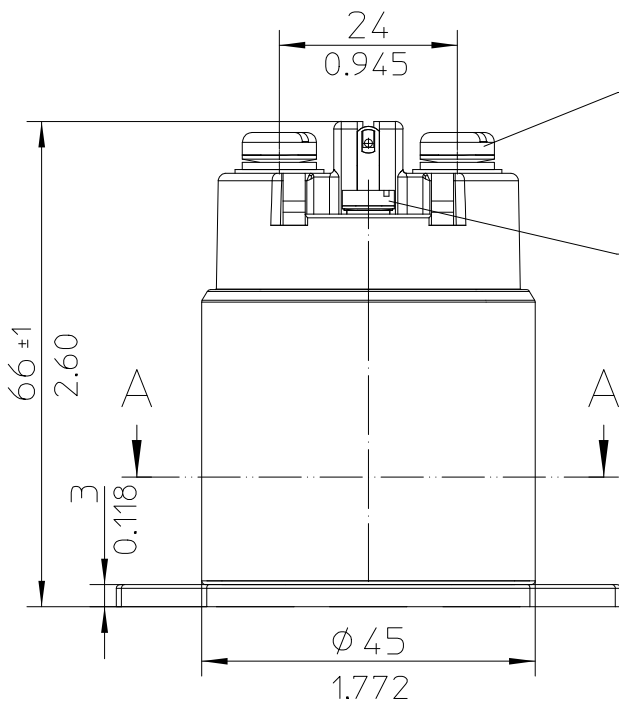
Mounting Dimensions



Circuit



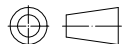
A-A



Main Terminals
ISO 1580 M5x8
max. Torque 3,2-3,5Nm

Coil Terminals
ISO 1580 M3,5x5
max. Torque 1,1-1,2Nm

Third Angle Projection



Dimensional Tolerances
3 place decimal ±0.010
2 place decimal ±0.03
Angular ±0°30'

For this drawing we reserve the copyright in accordance with DIN ISO 16016

	Date	Name
Create	10.04.2018	Mielk
Edited	23.08.2019	Mielk
Check	23.08.2019	Kaise

mm inch	Scale 1:1
General Tolerances DIN ISO 2768 cL	



Drawing No: 29-013-11
NSN:

