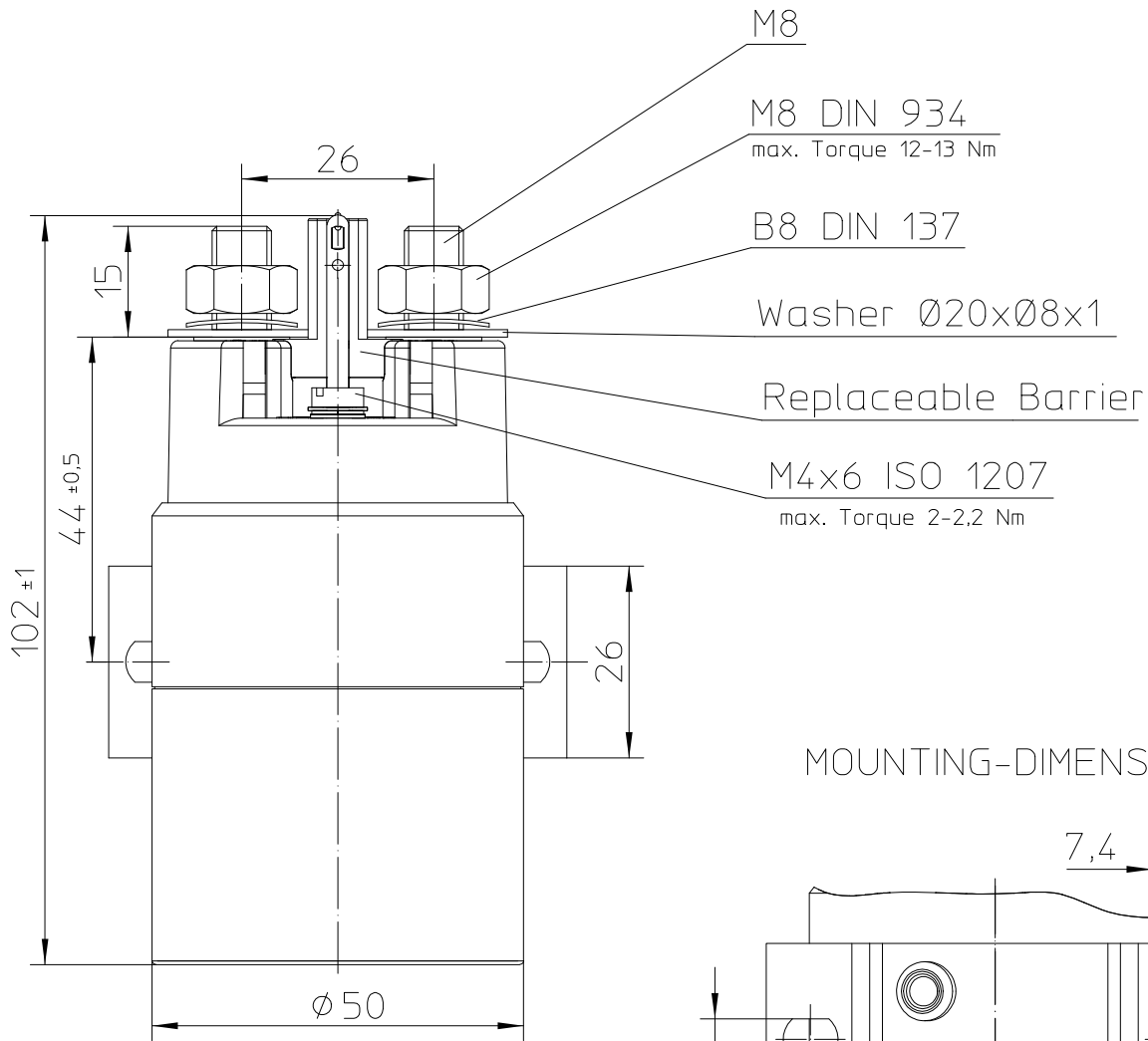


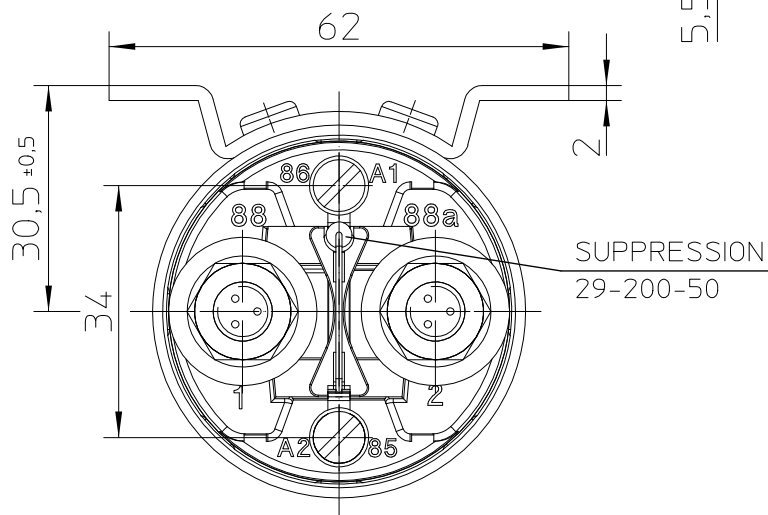
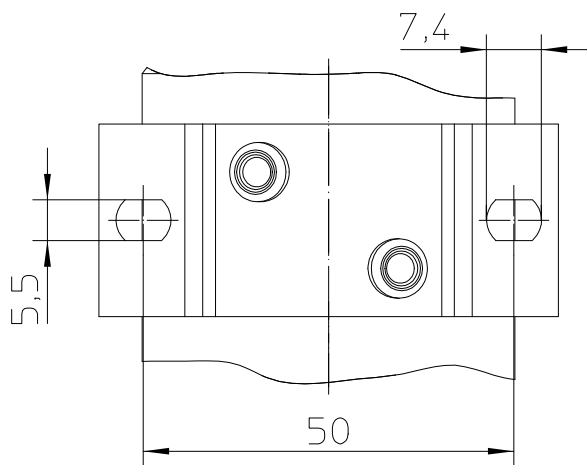
# 200A- POWER RELAY (12VDC)

NC- CONTACT      STANDARD-SIDE\_MOUNTING      SUPPRESSION

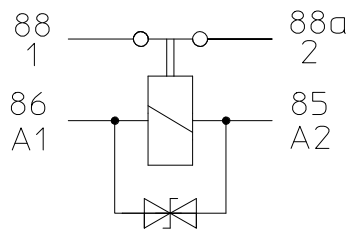
For this drawing we reserve the copyright in accordance with DIN ISO 16016



MOUNTING-DIMENSION:



CIRCUIT:



	Date	Name
Create	29.08.2008	Kaise
Edited	07.01.2020	Mielk
Check	07.01.2020	Kaise

mm	Scale
↔	1:1
General Tolerances DIN ISO 2768 cL	



Drawing No:	29-231-11
NSN:	

TECHNICAL DATA

ENVIRONMENTAL CHARACTERISTICS

TEMPERATUR RANGE.....-40°C TO +85°C (-40°F TO +185°F)  
 MAX. ALTITUDE RATING.....50 000FT  
 SEAL.....IP67 (6FEET/0,2BAR-1MIN.) I.A.W.IEC 529  
 IP6K9K (STEAM PRESSURE) DIN 40050 PART 9 AND I.A.W.IEC 529  
 SHOCK G-LEVEL.....6G/11 MSEC  
 VIBRATION.....4G/50-2000 Hz

ELECTRICAL CHARACTERISTICS

MIN.INSULATION RESISTANCE;INITIAL.....100 MEGOHMS  
 AFTER LIFE OR ENVIRONMENTAL.....50 MEGOHMS  
 DIELECTRIC WITHSTANDING VOLTAGE SEA-LEVEL 1MINUTE.....1 050 VOLTS  
 ALTITUDE 1MINUTE.....500 VOLTS  
 MAX.CONTACT DROP INITIAL.....0,15 VOLTS  
 AFTER LIFE TEST.....0,175 VOLTS  
 OVERLOAD.....1600 AMP FOR 1 SEC.,400 AMP FOR 20 SEC  
 DUTY RATING.....200 AMP CONTINUOUS

RATED CONTACT LOAD

RESISTIVE LOAD.....200 000 CYCLES  
 ENDURANCE.....2 000 000 CYCLES

OPERATING CHARACTERISTICS:

COIL DATA

VOLTAGE RANGE.....9-16 VDC  
 NOMINAL VOLTAGE.....12 VDC  
 PICK UP VOLTAGE MAX. ....9 VDC FULL TEMP.RANGE  
 DROP OUT VOLTAGE MAX. ....≤ 2 VDC FULL TEMP.RANGE  
 COIL RESISTANCE.....15 OHMS ± 10%  
 COIL CURRENT APPROX. ....0,8 AMP  
 COIL POWER APPROX. ....10 WATTS

TIME MILLISECONDS-MAX. \_\_\_

OPERATE (Opening).....30  
 BOUNCE.....10  
 RELEASE (Closing).....40

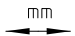

WEIGHT.....0,82kg= 1,81 POUND MAX.

WIRE SECTION (AT NOMINAL LOAD).....MIN. 70mm<sup>2</sup>/0,109 sq. inches

MOUNTING POSITION......OPTIONAL

SUBJECT TO CHANGE

For this drawing we reserve the copyright in accordance with DIN ISO 16016

	Date	Name		Scale 1:1		Drawing No:
Create	29.08.2008	Kaise				General Tolerances DIN ISO 2768 cL
Edited	07.01.2020	Mielk				
Check	07.01.2020	Kaise	NSN:			