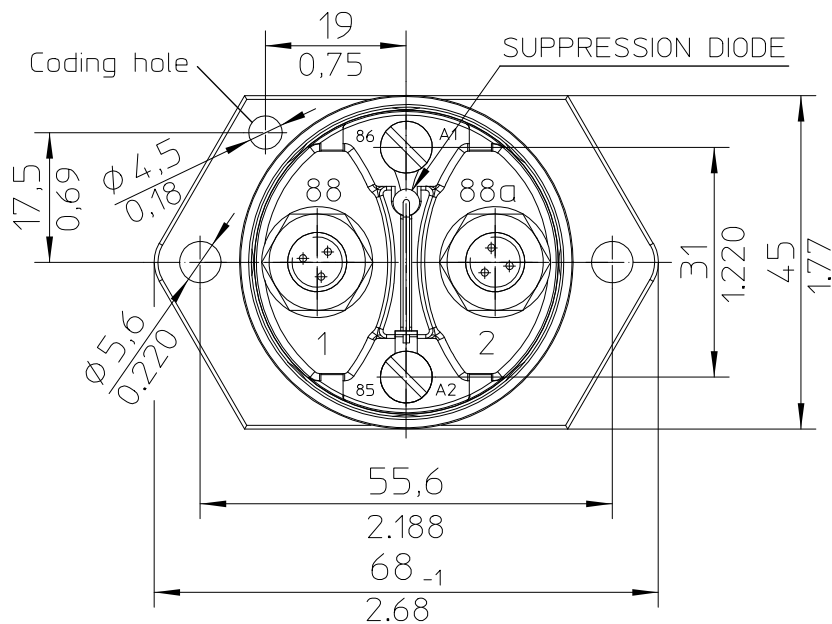
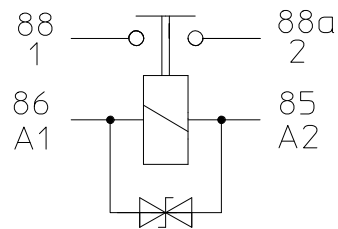


# 120AMP POWER RELAY (28VDC)

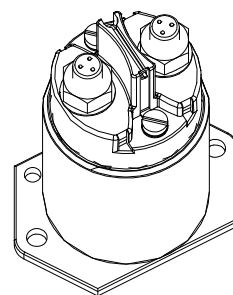
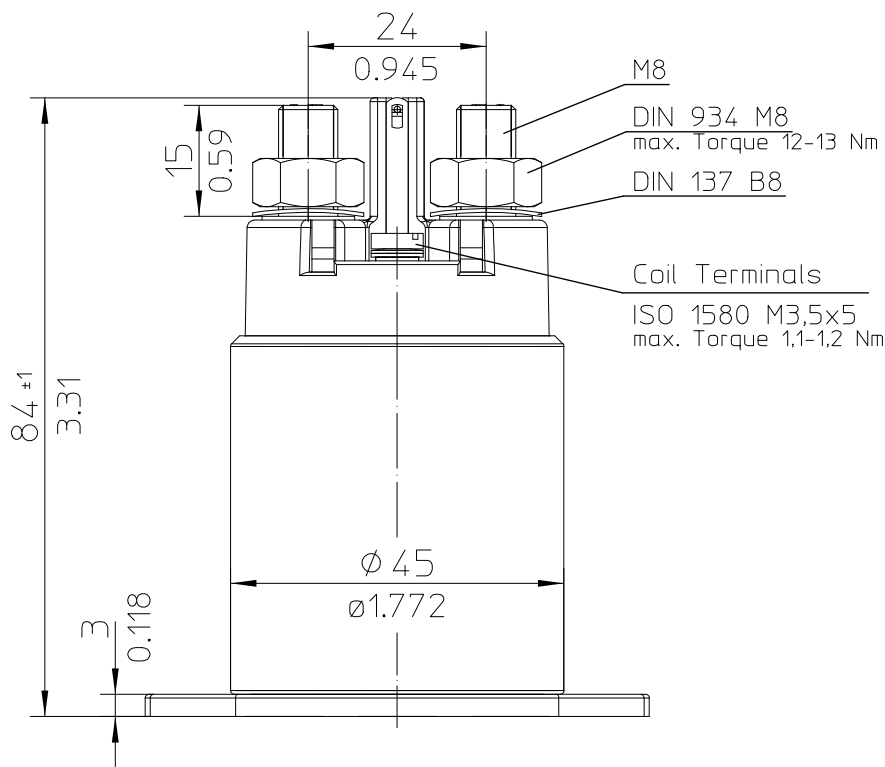
BOTTOM MOUNTING ENVIRONMENTALLY SEALED



Circuit



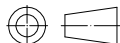
SUPPRESSION DEVICE



ISO 1:2

For this drawing we reserve the copyright in accordance with DIN ISO 16016

Third Angle Projection




DIMENSIONAL TOLERANCES

3 PLACE DECIMAL +/-0.010

2 PLACE DECIMAL +/-0.03

ANGULAR +/-0°30'

	Date	Name	mm inch	Scale 1:1		Drawing No:
Create	29.08.2019	Mielk				29-113-11
Edited	30.08.2019	Mielk	General Tolerances			
Check	30.08.2019	Kaise	DIN ISO 2768 cL			NSN:

