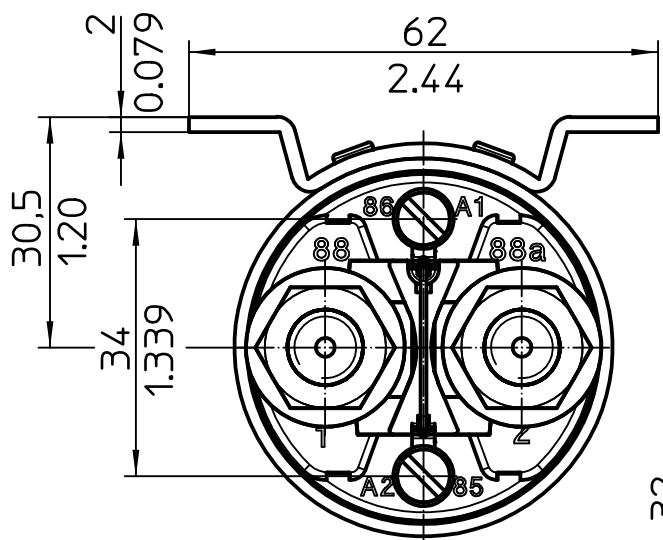


300AMP. POWER RELAY

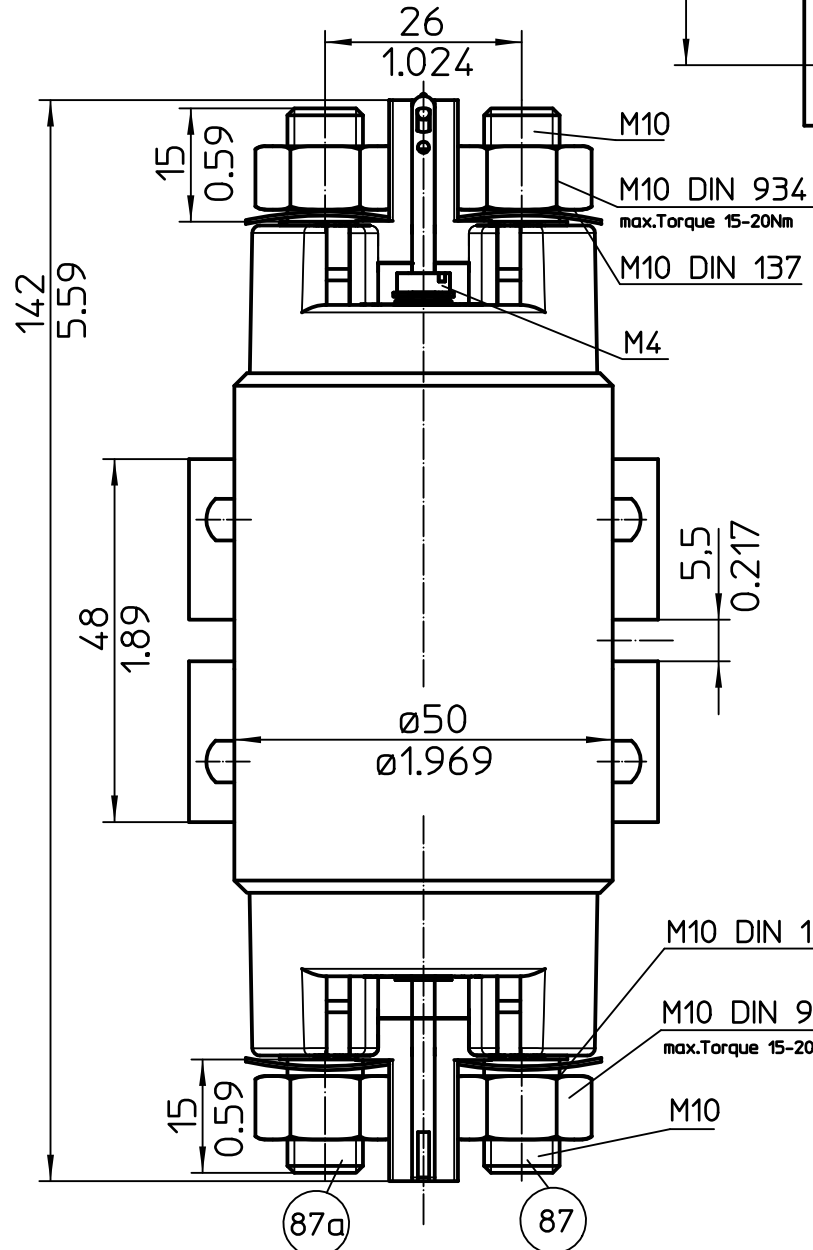
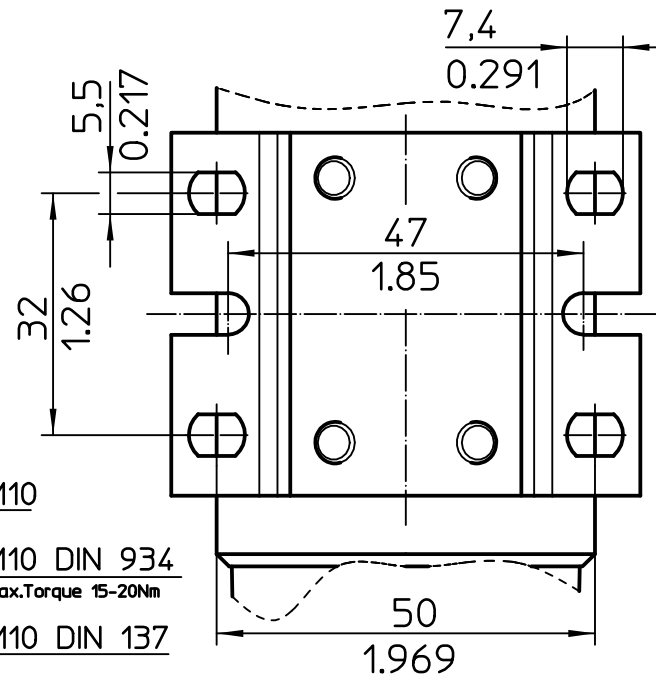
28VDC

INTERMITTENT

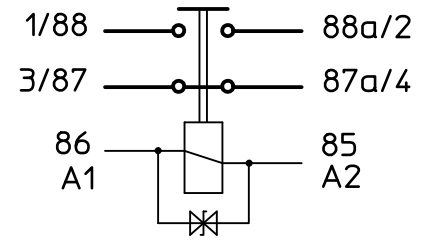
MAKE & BREAK CONTACT (CHANGEOVER) STANDARD SIDE MOUNTING ENVIRONMENTALLY SEALED



MOUNTING DIMENSION

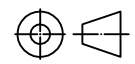


CIRCUIT



DIMENSIONAL TOLERANCES
 3 PLACE DECIMAL ±0.010
 2 PLACE DECIMAL ±0.03
 ANGULAR ±0°30'

Third Angle Projection



Date	Name
16.03.2005	Mielk
14.08.2013	Kaise

mm Inch	Scale 1:1
General Tolerances DIN ISO 2768 mK	

3U
 Elektrotechnik - GmbH & Co KG
 D - 72218 Wildberg

Drawing No:	29-321-11-913
NSN.:	

300AMP. POWER RELAY ^{28VDC} INTERMITTENT

MAKE & BREAK CONTACT (CHANGEOVER) STANDARD SIDE MOUNTING ENVIRONMENTALLY SEALED

TECHNICAL DATA

ENVIRONMENTAL CHARACTERISTICS

TEMPERATURE RANGE.....-40°C TO +85°C (-40°C F TO +185°F)
 MAX. ALTITUDE RATING.....50 000 FT
 SEAL.....IP67 (6FEET/0,2BAR-1MIN.) I.A.W. IEC 529
 IP6K9K (STEAM PRESSURE) DIN 40050 PART 9 AND I.A.W. IEC 529
 SHOCK G-LEVEL.....6 G/ 11 MSEC
 VIBRATION.....4 G/ 50-2000 Hz

ELECTRICAL CHARACTERISTICS

MIN. INSULATION RESISTANCE; INITIAL.....100 MEGOHMS
 AFTER LIFE OR ENVIRONMENTAL.....50 MEGOHMS
 DIELECTRIC WITHSTANDING VOLTAGE SEA-LEVEL 1 MINUTE.....1 050 VOLTS
 ALTITUDE 1 MINUTE.....500 VOLTS
 MAX. CONTACT DROP INITIAL.....0.15 VOLTS
 AFTER LIFE TEST.....0.175 VOLTS
 OVERLOAD.....2400 AMP FOR 1 SEC, 600 AMP FOR 20 SEC
 DUTY RATING.....300 AMP CONTINUOUS

RATED CONTACT LOAD (28 VDC)

RESISTIVE LOAD.....200 000 CYCLES WITH 300 AMP
 INDUCTIVE LOAD.....40 000 CYCLES WITH 75 AMP
 MOTOR LOAD.....200 000 CYCLES WITH 300 AMP
 ENDURANCE.....2 000 000 CYCLES

OPERATING CHARACTERISTICS

COIL DATA

28VDC INTERMITTENT DUTY COIL (ON TIME MAX. 1MINUTE)

VOLTAGE RANGE.....12-32 VDC
 NOMINAL VOLTAGE.....28 VDC
 PICK UP VOLTAGE MAX.....12 VDC- FULL TEMP. RANGE
 DROP OUT VOLTAGE MAX.....3 VDC- FULL TEMP. RANGE
 COIL RESISTANCE.....15 OHMS ± 10%
 COIL CURRENT APPROX.....1.8 AMP
 COIL POWER APPROX.....52 WATT

TIME-MILLISECONDS-MAX. CONTACT (NO)

OPERATE (Closing).....40
 BOUNCE.....5
 RELEASE (Opening).....20

TIME-MILLISECONDS-MAX. BREAK CONTACT (NC)

OPERATE (Opening).....30
 BOUNCE.....10
 RELEASE (Closing).....40

WEIGHT.....0.87 KG = 1.92 POUND MAX.

WIRE SECTION (AT NOMINAL LOAD).....MIN. 95mm² / 0.147 sq.in. / AWG 0000

MOUNTING POSITION.....OPTIONAL

SUBJECT TO CHANGE

Date		Name		mm	Scale 1:1		Drawing No:	
Drawn	16.03.2005	Mielk					29-321-11-913	
Check	14.08.2013	Kaise		General Tolerances DIN ISO 2768 mK	D - 72218 Wildberg	NSN.:		