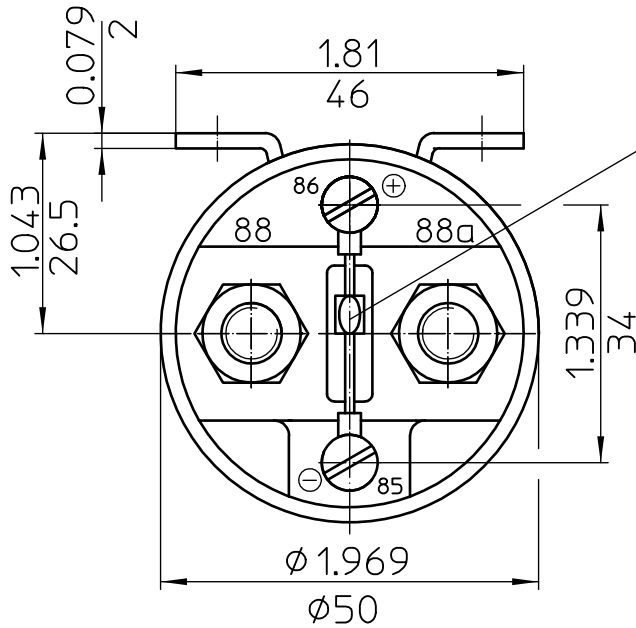


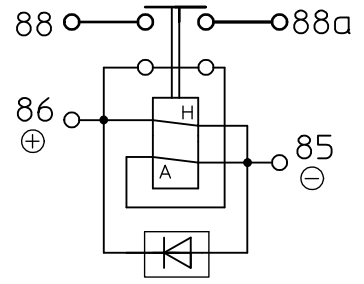


300AMP. POWER RELAY 28VDC
 LIGHT WEIGHT ENVIRONMENTALLY SEALED
 SIDE MOUNTING STUD TERMINAL



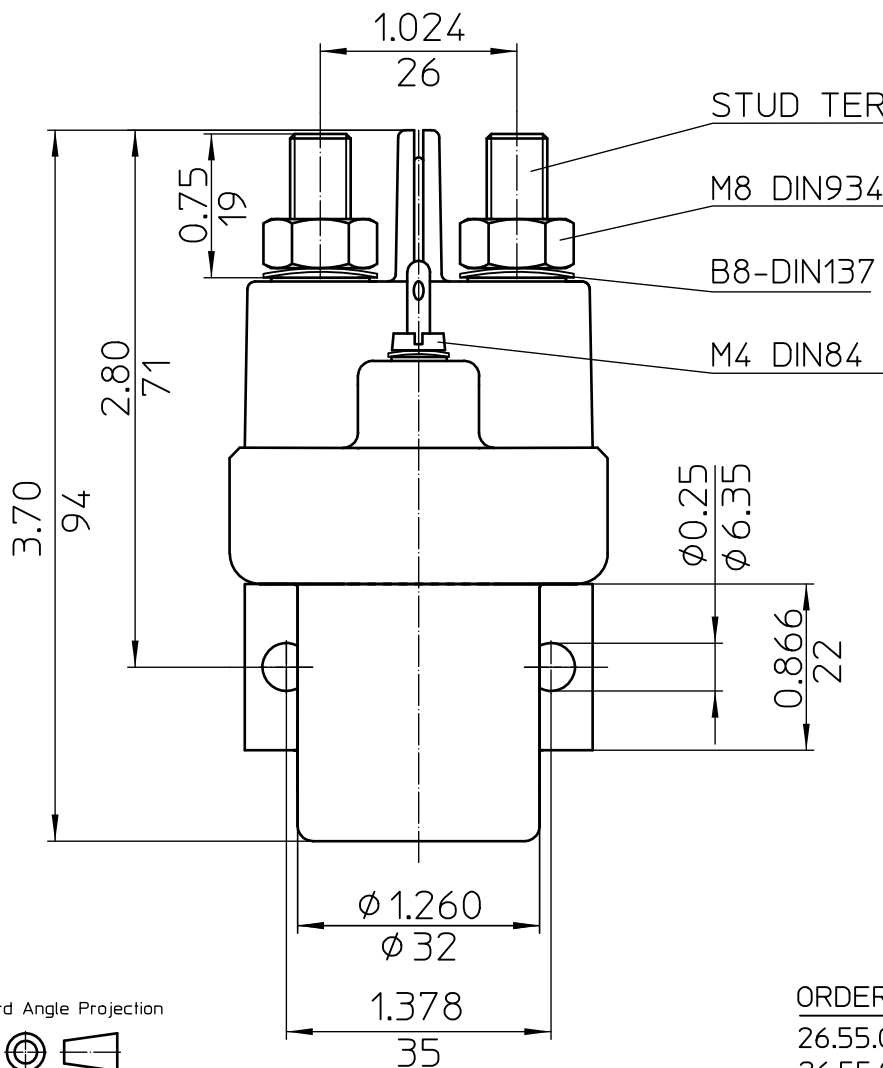
SUPPRESSION DIODE
26.08.50

CIRCUIT



SUPPRESSION DIODE

H=Holding coil
A=Pull in coil



STUD TERMINAL M8

M8 DIN934

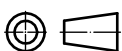
B8-DIN137

M4 DIN84

DIMENSIONAL TOLERANCES


3 PLACE DECIMAL +/-0.010
 2 PLACE DECIMAL +/-0.03
 ANGULAR +/-0°30'

Third Angle Projection



ORDER-NO.

26.55.010 WITH SUPPRESSION
 26.55.020 WITHOUT SUPPRESSION

2001	Date	Name	Inch mm	Scale 1:1	 Elektrotechnik - GmbH & Co KG D - 72218 Wildberg	Order-No.
Design	20.08.	Bo.				26.55.010 26.55.020
Check	20.08.		General Tolerances			
Appro			ISO 2768			