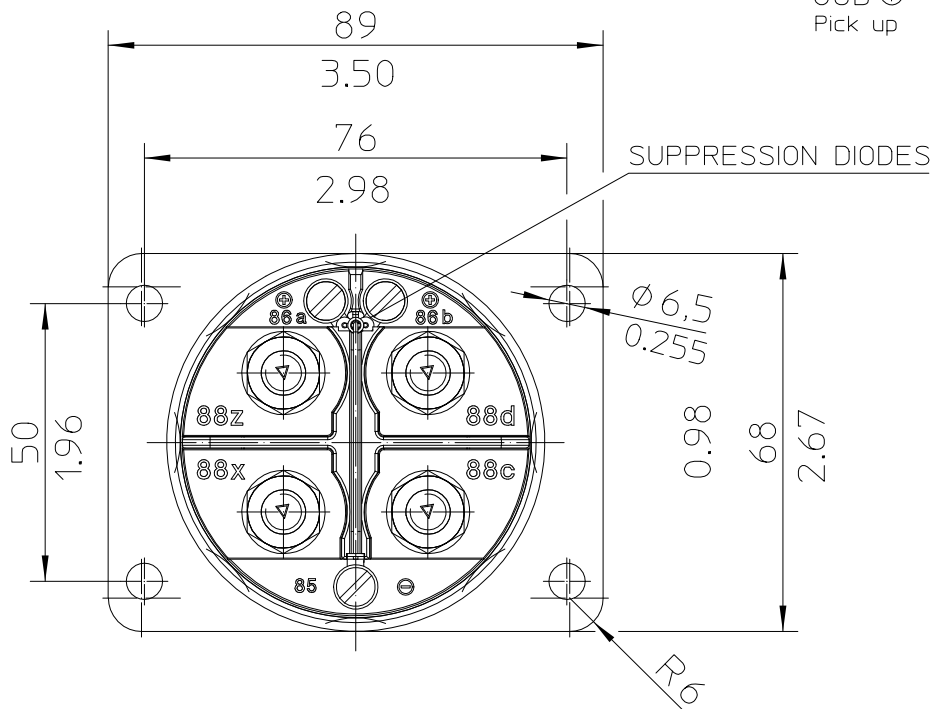
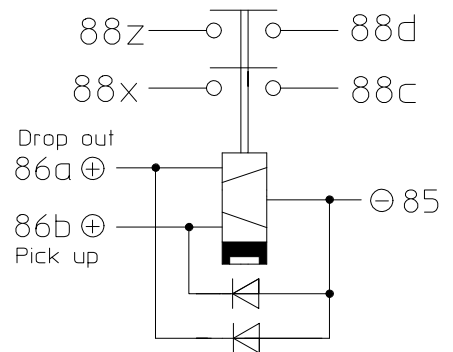


CIRCUIT:



DIMENSIONAL TOLERANCES
 3 PLACE DECIMAL +/- 0,010
 2 PLACE DECIMAL +/- 0,03
 ANGULAR +/- 0°30'

	Date	Name
Drawn	07.03.2011	Kaise
Check	09.03.2017	Kaise

mm	Scale
inch	1:1.33
General Tolerances	



Drawing No:	30-343-12
NSN:	

Bi-stable relays of the series 30 are equipped with 2 coils and magnetical latching. The relay will pick up (make) by an impulse to the pull-in coil. Without current the make position will be held by a permanent magnet. The relay will open (break) through an impulse to the drop-out coil. Break position is also supported by the permanent magnet.

ENVIRONMENTAL CHARACTERISTICS

TEMPERATURE RANGE -40°C TO 85°C (-40°F TO +185°F)
 MAX. ALTITUDE RATING 50 000 FT
 SEAL IP67 (6 FEET/0,2 bar-1 MIN) I.A.W. IEC 529
 IP6K9K (STEAM PRESSURE) DIN 40050 PART 9 AND I.A.W. IEC 529
 SHOCK G-LEVEL 10 G/ 11 MSEC
 VIBRATION 4g /50-2000 Hz

ELECTRICAL CHARACTERISTICS

MIN. INSULATIONS RESISTANCE; INITIAL 100 MEGOHMS
 AFTER LIFE OR ENVIRONMENTAL 50 MEGOHMS
 DIELECTRIC WITHSTANDING VOLTAGE SEA-LEVEL 1 MINUTE 1 050 VOLTS
 ALTITUDE 1 MINUTE 500 VOLTS
 MAX. CONTACT DROP INITIAL 0.15 VOLTS
 AFTER LIFE TEST 0.175 VOLTS
 OVERLOAD 2X2400 AMP FOR 1 SEC, 2X600 AMP FOR 20 SEC
 DUTY RATING 2X300 AMP CONTINUOUS

RATED CONTACT LOAD

MAIN CONTACT

RESISTIVE LOAD 2X300 AMP 100 000 CYCLES
 ENDURANCE 150 000 CYCLES

OPERATING CHARACTERISTICS

COIL DATA

VOLTAGE RANGE 18-32 VDC
 NOMINAL VOLTAGE 24/28 VDC
 PICK UP VOLTAGE MIN 13 VDC FULL TEMP. RANGE
 DROP OUT VOLTAGE MIN 10 VDC
 RESISTANCE PULL IN COIL 2,7 OHMS ±10%
 PULL IN CURRENT APPROX. APPROX. 10 AMP
 RESISTANCE DROP OUT COIL 3,8 OHMS ±10%
 DROP OUT CURRENT APPROX. APPROX. 7,3 AMP
 PICK UP IMPULSE TIME 50 MSEC APPROX. (CONTINUOUS IMPULSE MAX. 1 MIN)
 DROP OUT IMPULSE TIME 50 MSEC APPROX. (CONTINUOUS IMPULSE MAX. 1 MIN)

TIME-MILLISECONDS-MAX.

OPERATE 25
 BOUNCE 5
 RELEASE 10

WEIGHT 1,10 KG = 2,508 POUND MAX.

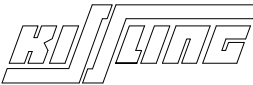
WIRE SECTION (AT NOMINAL LOAD) MIN. 95 qmm / 0.147 sq.in. / AWG 0000

MOUNTING POSITION OPTIONAL

OPTIONAL MAGNETIC BLOWOUTS

RECOMMENDED FOR HIGH INDUCTIVE LOADS AND FOR CONTACT VOLTAGES >40 VDC TO
 EXTEND CONTACT LIFE, IF REQUIRED ADD SUFFIX "B" TO THE END OF ORDER-NO.

SUBJECT TO CHANGE

	Date	Name	mm ←→	Scale 1:1		Drawing No: 30-343-12
Drawn	07.03.2011	Kaise	General Tolerances			NSN:
Check	09.03.2017	Kaise				