

RoHS
Compliant

Specification

Rated Voltage	: 13.5V DC
Operating Voltage	: 9V DC to 16V DC
Starting Voltage	: 9V DC (Power ON/OFF at 25°C)
Rated Current (AVG.)	: 0.52 / MAX. 0.624 A
Rated Power (AVG.)	: 7.02 / MAX. 8.43 W
Safety Power	: 7.07 W
Max Peak Voltage Protection In 30 Second	: 16V MAX
Rated Speed	: 3800 RPM + 10% In Free Air At Rated Voltage
Airflow At Zero Static Pressure	: Nominal 18.4 / MIN. 15.9 CFM
Static Pressure At Zero Airflow	: Nominal 0.86 / MIN. 0.83 inch-H ₂ O
Acoustical Noise (AVG.)	: Nominal 52.3 / MAX. 54.6 dB(A)
PWM Control	: Close Loop
Insulation Type	: UL Class A
Insulation Resistance	: 10MΩ MIN. At 500V DC Between Frame And (+) Terminal
Life Expectancy	: 70,000 Hours At 40°C, 65% Humidity, 90% CL.
Direction of Rotation	: Counter-Clockwise From Blade Side
Ingress Protection	: NONE
AECQ	: 100
EMC	: NONE

Mechanical

Bearing System	: Precision Ball Bearing System
Materials of Frame	: Thermoplastic PBT of UL 94V-0
Materials of Fan Blade	: Thermoplastic PBT of UL 94V-0
Weight	: 110 Grams

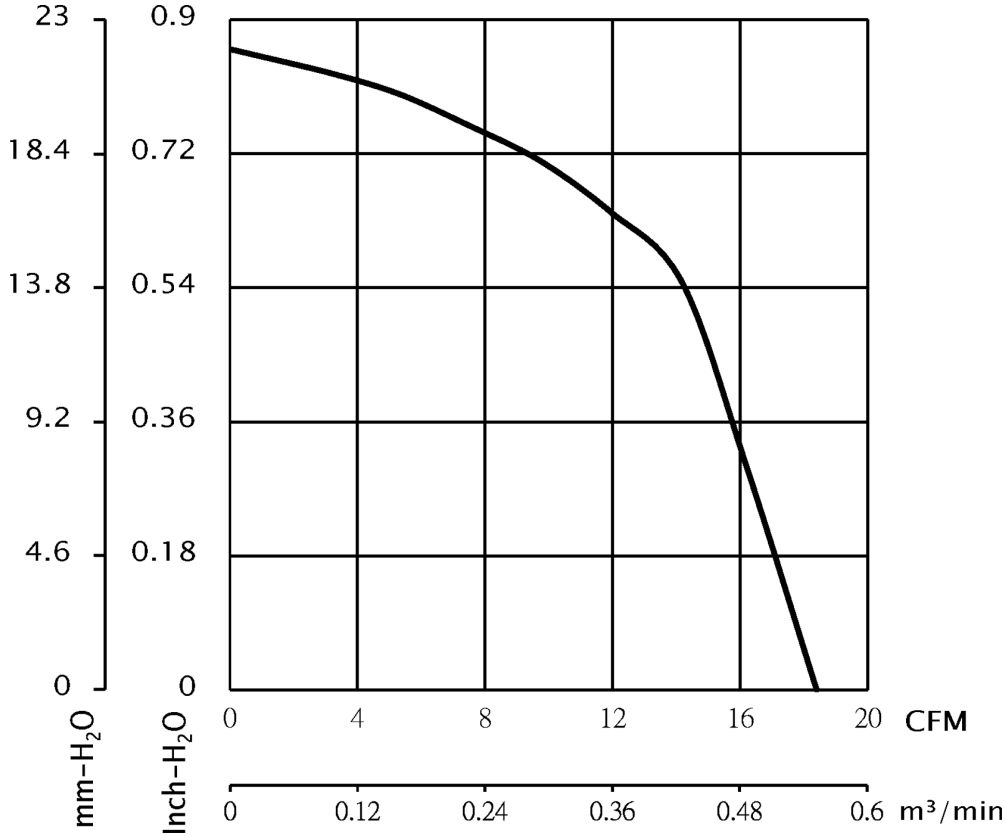
Environmental

Operating Temperature Range	: -40°C to +85°C
Storage Temperature Range	: -40°C to +85°C
Operating Humidity Range	: 5 to 90% RH
Storage Humidity Range	: 5 to 90% RH
Noise Level	: < 15dB(A).

Protection

- Automatic Restart
Note: The Motor Will Shut Down When Rotor Was Locked, Then Auto Restart Within 10 Seconds
- Polarity Protection

Air Flow & Static Pressure Curve

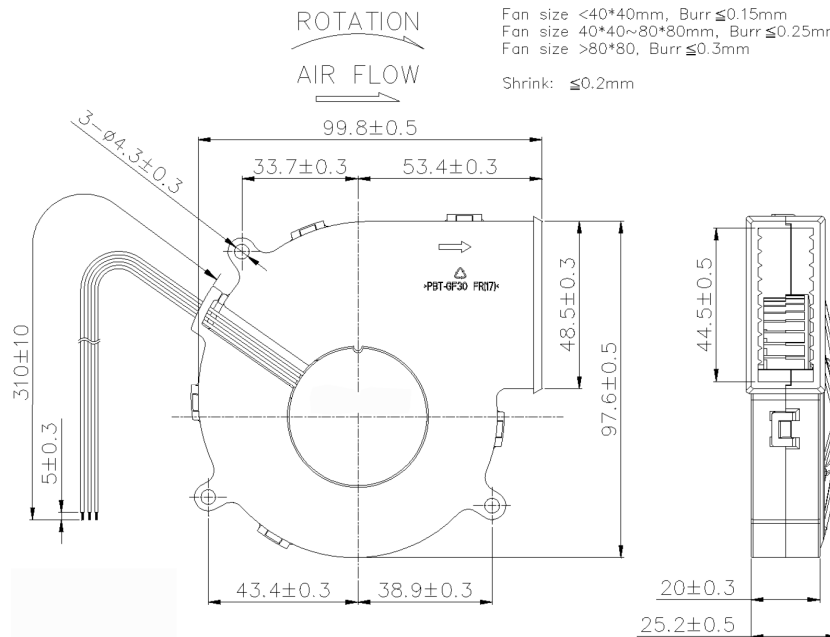


Dimensions

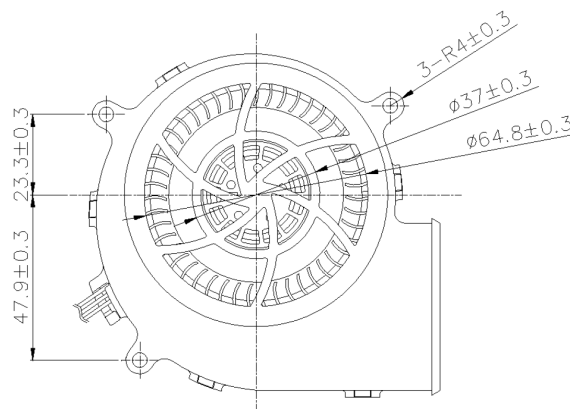
Screw Type (Pan Head)	Torque	Screw Spec.	
		Size	Standard
Machine Screw	3~4 kgf-cm	M4	JISB1111-1974
Self-Tapping Screw	6~8 kgf-cm	Φ5	JISB1122 Type 2

DC Brushless Blower

multicomp PRO



- NOTE:
- LEAD WIRE: UL3265 #24AWG
 RED WIRE---(+)
 BLACK WIRE---(-)
 BLUE WIRE---(PWM)



Part Number Table

Description	Part Number
DC Blower, 99.8mm × 97.6mm × 20mm 12V DC	MP013556

Dimensions : Millimetres

Important Notice : This data sheet and its contents (the "Information") belong to the members of the AVNET group of companies (the "Group") or are licensed to it. No licence is granted for the use of it other than for information purposes in connection with the products to which it relates. No licence of any intellectual property rights is granted. The Information is subject to change without notice and replaces all data sheets previously supplied. The Information supplied is believed to be accurate but the Group assumes no responsibility for its accuracy or completeness, any error in or omission from it or for any use made of it. Users of this data sheet should check for themselves the Information and the suitability of the products for their purpose and not make any assumptions based on information included or omitted. Liability for loss or damage resulting from any reliance on the Information or use of it (including liability resulting from negligence or where the Group was aware of the possibility of such loss or damage arising) is excluded. This will not operate to limit or restrict the Group's liability for death or personal injury resulting from its negligence. Multicomp Pro is the registered trademark of Premier Farnell Limited 2019.

Newark.com/multicomp-pro
Farnell.com/multicomp-pro
sg.element14.com/b/multicomp-pro

multicomp PRO