



Lithium Thionyl Chloride - ER 2450J-T



RoHS compliant



Pb free



REACH compliant



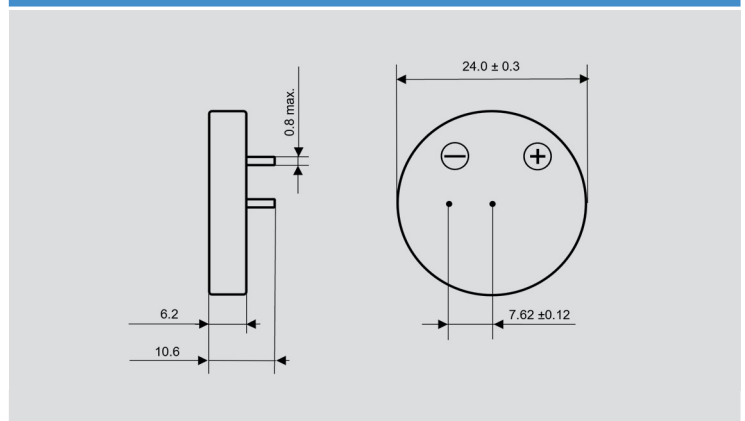
Conflict mineral free

- Reliable energy for your application
- Standard cells and customized packs
- ESD protection
- UL recognized

SPECIFICATIONS

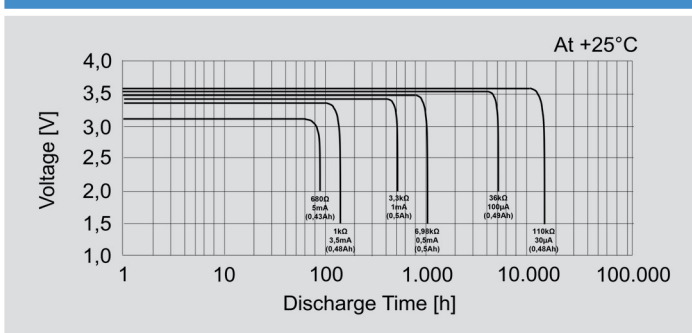
Jauch part number	247840
Nominal Voltage	3.6 V
Nominal Capacity	500 mAh
Storage	+30°C max.
Max. Continuous Current	5 mA
Max. Pulse Current	15 mA
Operating Temperature	-55°C to +85°C *
Weight	Approx. 9 g
Chemistry	Li-SoCl ₂
UL1642	MH62838

DIMENSIONS [mm]

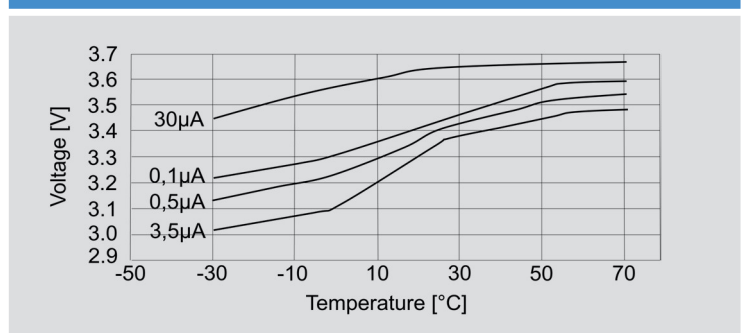


* In applications where the battery is exposed to temperatures >85°C, please contact Jauch.

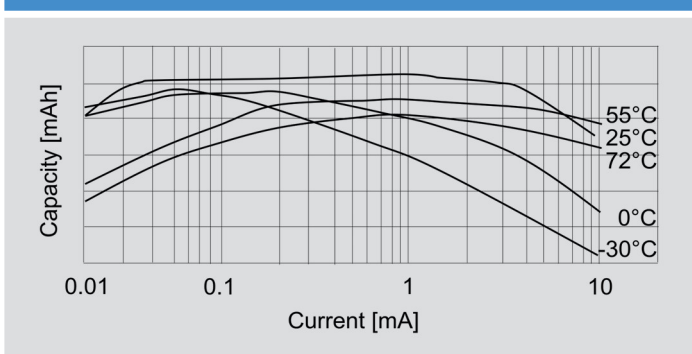
DISCHARGE CHARACTERISTICS



VOLTAGE VS. TEMPERATURE



CAPACITY VS. CURRENT



STORAGE CHARACTERISTICS

