

RoHS
Compliant



Specifications

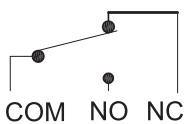
Contact Material	: Silver
Rating	: 16A 250/125V AC
Electrical Life	: 16A /125 & 250V AC 50,000 Cycles
Mechanical Life	: Momentary 1,000,000
Insulation Resistance	: 100MΩ min at 500V DC
Dielectric Strength	: 1,500Vrms@Sea Level
Contact Resistance	: 50mΩ max.@1A 12V DC (initial value)
Operating Temperature	: -25°C to +85°C
Travel	: About 3.2mm
Operation Pressure	: 3.5 ±1.5N
Ingress Protection	: IP67, IK08 (Stainless Steel).
Torque	: 1~3Nm

Materials

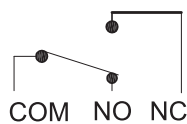
Bushing	: Stainless Steel
Base	: PBT(UL 94-V0); PC(UL94-V2) ; PA6T(UL94-V0)
Actuator	: PC(UL 94-V2); Stainless Steel
Inner Assembly	: POM/PA66
Spring	: Steel
Sealing	: Silicone
O-ring	: Silicone
Terminal/Contact	: Brass, Silver plated
Hex Nut	: Nickel plated brass

Switch Operation

POSITION 1



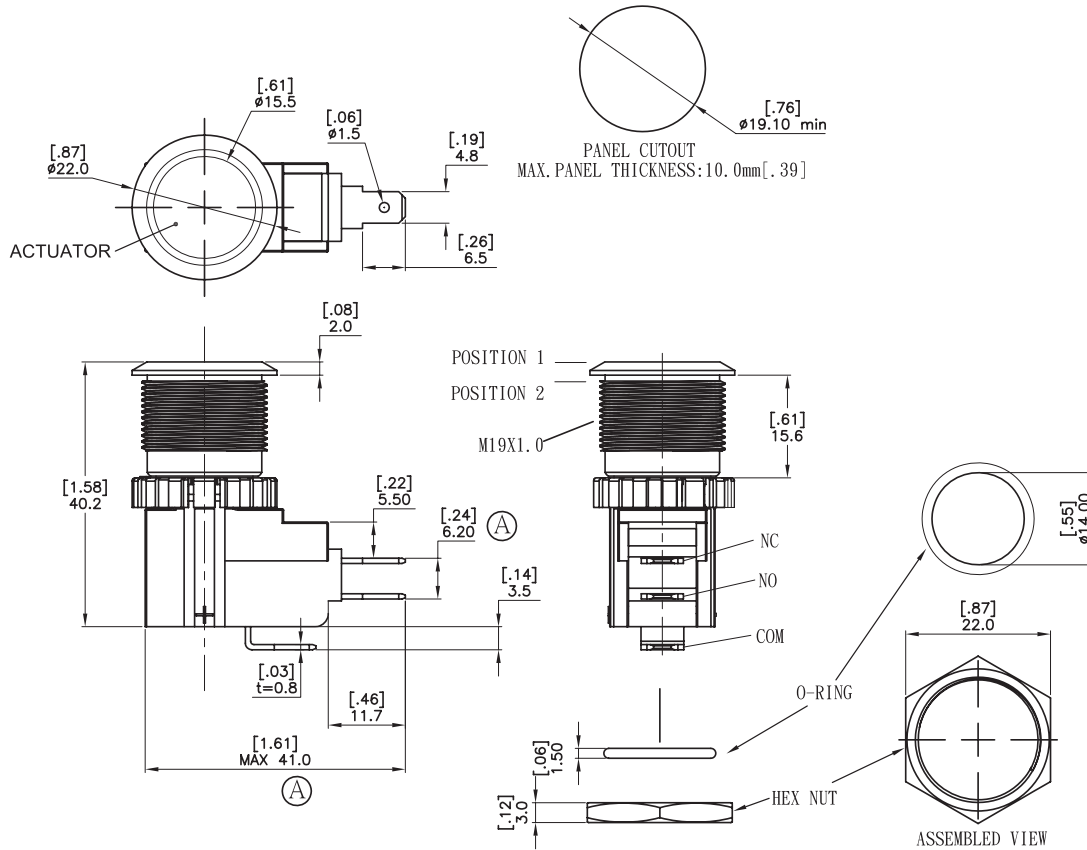
POSITION 2



Anti Vandal Push Button Switch



Diagram



Dimensions : Inches (Millimetres)

Part Number Table

Description	Part Number
Anti Vandal Pushbutton Switch, None LED, 19mm, 16A	MPW19-A0F0000-A1ZB

Important Notice : This data sheet and its contents (the "Information") belong to the members of the AVNET group of companies (the "Group") or are licensed to it. No licence is granted for the use of it other than for information purposes in connection with the products to which it relates. No licence of any intellectual property rights is granted. The Information is subject to change without notice and replaces all data sheets previously supplied. The Information supplied is believed to be accurate but the Group assumes no responsibility for its accuracy or completeness, any error in or omission from it or for any use made of it. Users of this data sheet should check for themselves the Information and the suitability of the products for their purpose and not make any assumptions based on information included or omitted. Liability for loss or damage resulting from any reliance on the Information or use of it (including liability resulting from negligence or where the Group was aware of the possibility of such loss or damage arising) is excluded. This will not operate to limit or restrict the Group's liability for death or personal injury resulting from its negligence. Multicomp Pro is the registered trademark of Premier Farnell Limited 2019.

Newark.com/multicomp-pro
 Farnell.com/multicomp-pro
 sg.element14.com/b/multicomp-pro

