

Rocker Switch

multicomp PRO

**RoHS
Compliant**



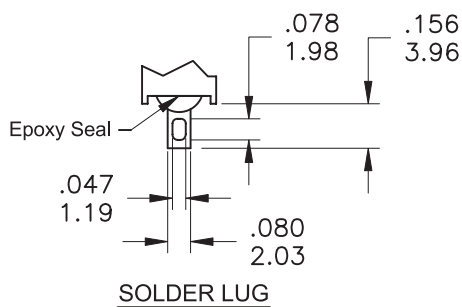
Specifications

Mechanical Life	: 30,000 Make-and-Break Cycles
Contact Resistance	: 10mΩ max. Initial @ 2-4V DC 100mA For Both Silver and Gold Plated Contacts
Insulation Resistance	: 1,000MΩ min.
Dielcetric Strength	: 1,000 Vrms min. @ Sea Level
Operating Temperature	: -40°C to 85°C

Materials

Case & Bushing	: Glass Filled Nylon 6/6, Flame Retardant, Heat Stabilized (UL94V-0)
Actuator	: Nylon, Black Std. Internal O-Ring Seal Standard with all Actuators
Terminal/Contact	: Copper Alloy
Actuator Pivot & Mounting Bracket	: Nylon
Actuator Pivot Retainer	: Stainless Steel

--	Contact Plating	Terminal Plating	Ratings
Q	Silver	Gold flash over silver	5 Amps @120V AC or 28V DC 2 Amps @250V AC
C	Gold over Silver	Gold over silver	
R	Gold	Gold	0.4 Volt-Amps(VA) max. @20V max. (AC or DC)



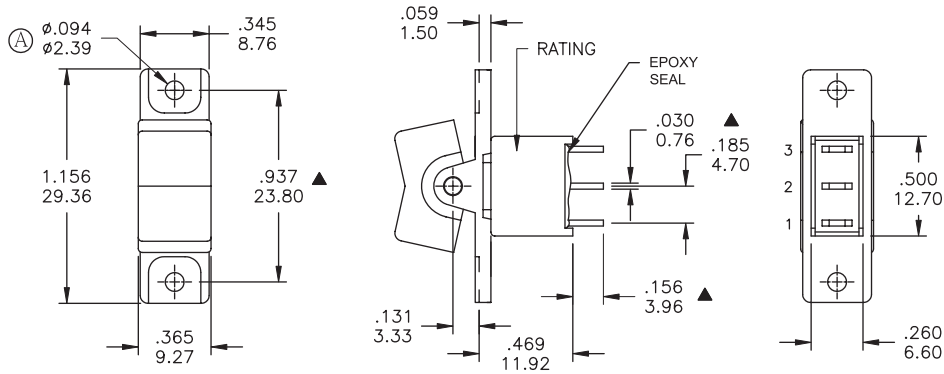
Switch Function

Model No.	Pos.1	Pos.2	Pos.3
MP3AS4R102M1RES	(ON)	OFF	(ON)
Term. Comm.	2-3	OPEN	2-1
Schematic			

multicomp PRO

Rocker Switch

Diagram



Dimensions : Inches (Millimetres)

Part Number Table

Description	Part Number
Rocker Switch, Solder Lug terminal, Gold plated	MP3AS4R102M1RES

Important Notice : This data sheet and its contents (the "Information") belong to the members of the AVNET group of companies (the "Group") or are licensed to it. No licence is granted for the use of it other than for information purposes in connection with the products to which it relates. No licence of any intellectual property rights is granted. The Information is subject to change without notice and replaces all data sheets previously supplied. The Information supplied is believed to be accurate but the Group assumes no responsibility for its accuracy or completeness, any error in or omission from it or for any use made of it. Users of this data sheet should check for themselves the Information and the suitability of the products for their purpose and not make any assumptions based on information included or omitted. Liability for loss or damage resulting from any reliance on the Information or use of it (including liability resulting from negligence or where the Group was aware of the possibility of such loss or damage arising) is excluded. This will not operate to limit or restrict the Group's liability for death or personal injury resulting from its negligence. Multicomp Pro is the registered trademark of Premier Farnell Limited 2019.

Newark.com/multicomp-pro
 Farnell.com/multicomp-pro
 sg.element14.com/b/multicomp-pro