

# FLYBACK TRANSFORMERS

## 35 to 45 W ETD 29



- Ambient Temperature  $\leq 50^{\circ}\text{C}$
- Primary Reflected Voltage = 90 to 120V
- Dielectric Strength  $\geq 3750\text{Vac}$
- Creepage Distances  $\geq 8\text{mm}$
- Construction conforms to CEI950, CEI335, CEI61558 for reinforced insulation
- Secondaries may be series or parallel connected
- Output power can be delivered with any combination of secondaries within the max current limits.

| MYRRA Part N° | Control IC | Mains Voltage Range Vac | Total output Power (max) Watts | Outputs S1 or S3  |                 | Outputs S2 or S4  |                 | Frequency kHz | Primary Inductance $\mu\text{H}$ | Pinout | Remarks |
|---------------|------------|-------------------------|--------------------------------|-------------------|-----------------|-------------------|-----------------|---------------|----------------------------------|--------|---------|
|               |            |                         |                                | Voltage Range Vdc | Max Current Adc | Voltage Range Vdc | Max Current Adc |               |                                  |        |         |
| <b>74040</b>  | VIPer50    | 85 - 265                | 35                             | 4,5 - 6           | 3               | 11 - 14           | 1,5             | 100           | 500                              | Fig.1  |         |
|               | VIPer50    | 185 - 265               | 45                             | 4,5 - 6           | 4               | 11 - 14           | 1,5             | 100           |                                  |        |         |
|               | TOP225Y    | 85 - 265                | 35                             | 3,3 - 7           | 3               | 8 - 16,5          | 1,5             | 100           |                                  |        |         |
|               | TOP225Y    | 185 - 265               | 45                             | 3,3 - 7           | 4               | 8 - 16,5          | 1,5             | 100           |                                  |        |         |
|               | MC33372    | 85 - 265                | 35                             | 4 - 7             | 3               | 10 - 16,5         | 1,5             | 100           |                                  |        |         |
|               | MC33372    | 185 - 265               | 45                             | 4 - 7             | 4               | 10 - 16,5         | 1,5             | 100           |                                  |        |         |
|               | TDA16834   | 92 - 265                | 35                             | 5 - 6             | 3               | 12 - 14,5         | 1,5             | 100           |                                  |        |         |
|               | TDA16834   | 185 - 265               | 45                             | 5 - 6             | 4               | 12 - 14,5         | 1,5             | 100           |                                  |        |         |

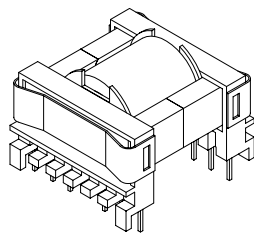
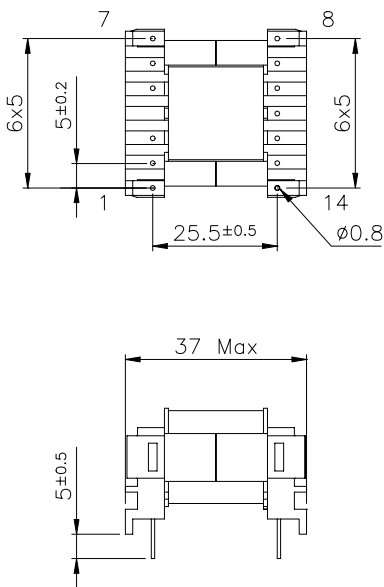
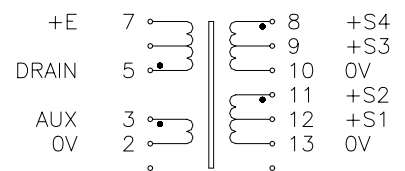


FIG.1

VIEW FROM PIN SIDE  
PIN 4 REMOVED



PCB DRILLING DIAMETER 1.3mm