

Multicolour Tower Light

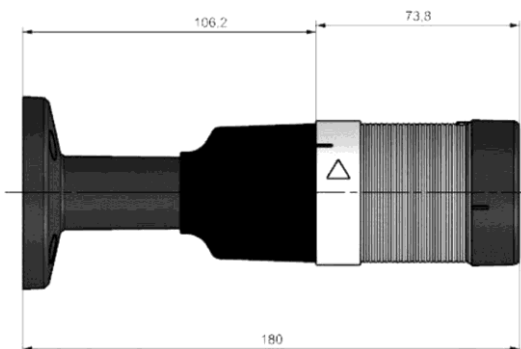
multicomp PRO

**RoHS
Compliant**

Specification



Rated Voltage	: 240V AC, 24V AC/DC
Rated Current	: 0.04A
Wattage	: 1W
Surge Protection	: 1KV
HV Protection	: 2KV Between Body & Contact
Degree Of Protection	: 1P20 / IP65
Spl Of Buzzer	: 90dB AT 1M
Led State	: Continuous And Blinking (Optional)
Buzzer State	: Continuous And Intermittent (Optional)
Lens	: White Diffuse
Operating Temperature	: -10°C to 65°C
Storage Temperature	: -10°C to 65°C
Product Life	: ≥1K hrs



Dimensions : Millimetres

Part Number Table

Description	Part Number
Multicolour Towerlight, Red, Green, Yellow, 24V AC/DC	MP-11UWDRGA10G
Multicolour Towerlight, Red, Green, Yellow with Buzzer, 24V AC/DC	MP-11UWDRGYZ10G
Multicolour Towerlight, Red, Green, Blue, Yellow,Amber with Buzzer, 24V DC	MP-11UWDRGBYA10G
Multicolour Towerlight, Red, Green, Blue, Yellow, Amber, 24V DC	MP-11UWDRGBYAZ10G
Multicolour Towerlight, Red, Green, Blue, Yellow,Amber with Buzzer, 240V AC	MP-10UWDRGBYA10G
Multicolour Towerlight, Red, Green, Blue, Yellow, Amber, 240V AC	MP-10UWDRGBYAZ10G

Important Notice : This data sheet and its contents (the "Information") belong to the members of the AVNET group of companies (the "Group") or are licensed to it. No licence is granted for the use of it other than for information purposes in connection with the products to which it relates. No licence of any intellectual property rights is granted. The Information is subject to change without notice and replaces all data sheets previously supplied. The Information supplied is believed to be accurate but the Group assumes no responsibility for its accuracy or completeness, any error in or omission from it or for any use made of it. Users of this data sheet should check for themselves the Information and the suitability of the products for their purpose and not make any assumptions based on information included or omitted. Liability for loss or damage resulting from any reliance on the Information or use of it (including liability resulting from negligence or where the Group was aware of the possibility of such loss or damage arising) is excluded. This will not operate to limit or restrict the Group's liability for death or personal injury resulting from its negligence. Multicomp Pro is the registered trademark of Premier Farnell Limited 2019.

Newark.com/multicomp-pro
Farnell.com/multicomp-pro
sg.element14.com/b/multicomp-pro

multicomp PRO