


MDT0320ASHH-MULTI	240 x 320	MULTI Interface	TFT Module
<b>Specification</b>			
Version: 1		Date: 11/02/2021	
<b>Revision</b>			
1	09/02/2021	First issue	

Display Features			
Display Size	3.20"		
Resolution	240 x 320		
Orientation	Portrait		
Appearance	RGB		
Logic Voltage	2.8V		
Interface	Parallel / SPI		
Brightness	1000 cd/m <sup>2</sup>		
Touchscreen	---		
Module Size	55.04 x 77.60 x 2.55mm		
Operating Temperature	-20°C ~ +70°C		
Pinout	40 way FFC		Box Quantity
Pitch	0.5mm	---	---

DESIGN • MANUFACTURE • SUPPLY

\* - For full design functionality, please use this specification in conjunction with the ILI9341 specification.(Provided Separately)

Display Accessories	
Part Number	Description

Optional Variants	
Appearances	Voltage



## Summary

TFT 3.2" is a TN transmissive type color active matrix TFT liquid crystal display that uses amorphous silicon TFT as switching devices. This module is composed of a TFT\_LCD module, it is usually designed for industrial application and this module follows RoHS,

## General Specifications


- Size: 3.2 inch
- Dot Matrix: 240x RGBx 320(TFT) dots
- Module dimension: 55.04 (W) x 77.6 (H) x 2.55(D) mm
- Active area: 48.6 x 64.8 mm
- Pixel pitch: 0.2025 x 0.2025 mm
- LCD type: TFT, Normally White, Transmissive
- View Direction: 6 o'clock
- Gray Scale Inversion Direction: 12 o'clock
- Aspect Ratio: Portrait
- Driver IC: ILI9341 or Equivalent
- Interface: 80 MCU 8bit /9bit/16bit/18bit/SPI(3 Wire/4 Wire)
- Backlight Type: LED, Normally White
- With /Without TP: Without TP
- Surface: Anti-Glare

\*Color tone slight changed by temperature and driving voltage.



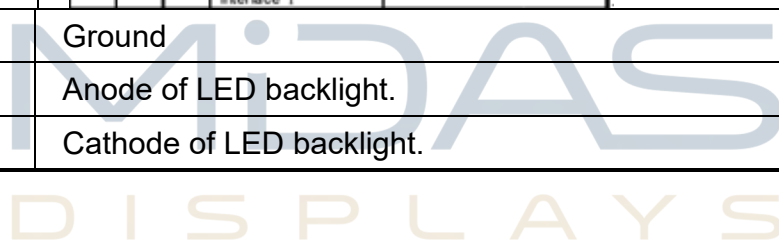
# Interface

## LCM PIN Definition

NO	Symbol	Function	I/O
1	NC	No connection	—
2	NC	No connection	—
3	NC	No connection	—
4	NC	No connection	—
5	VCI	Power supply(TYP: 2.8V).	P
6	IOVCC	Power supply(TYP:1.8V/2.8V).	P
7	R5	 <p>18-bit parallel bi-directional data bus for MCU system and RGB interface mode Fix to VSS level when not in use</p>	I/O
8	R4		
9	R3		
10	R2		
11	R1		
12	R0		
13	G5		
14	G4		
15	G3		
16	G2		
17	G1		
18	G0		
19	B5		
20	B4		
21	B3		
22	B2		
23	B1		
24	B0		
25	SDA	Serial data input/output	I/O
26	DOTCLK	Data enable signal in RGB interface.	I
27	DE	A data ENABLE signal in RGB I/F mode	I
28	HSYNC	Horizontal synchronizing signal in RGB interface	I
29	VSYNC	Vertical synchronizing signal in RGB interface	I
30	NRD	Read enable pin I80 parallel bus system interface	I
31	NWR_DNC	NWR Write enable pin I80 parallel bus system interface	I



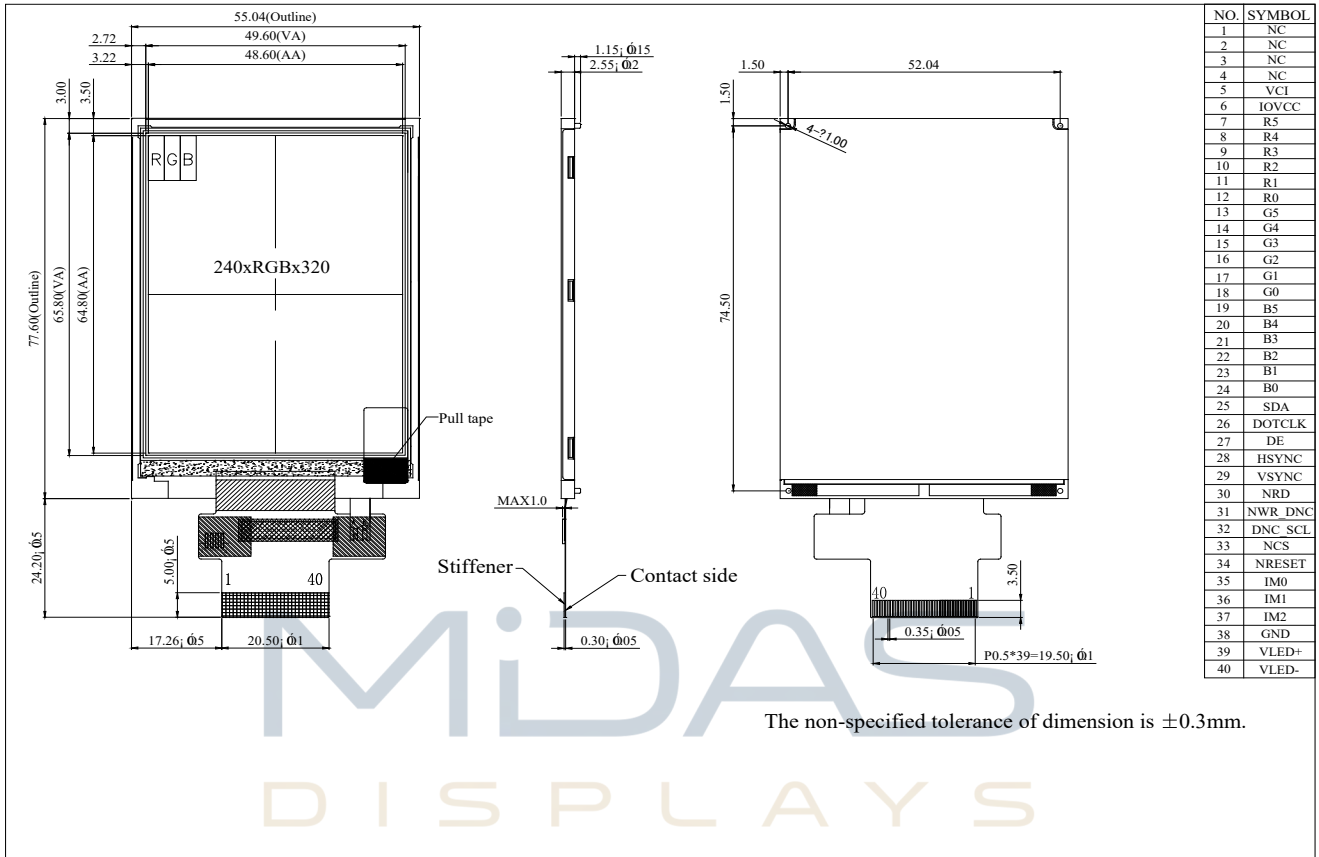
		DNC Command/parameter or display data selection pin in serial bus system interface																																													
32	DNC_SCL	DNC Command/parameter or display data selection pin in parallel interface SCL Serial data clock in serial bus system Interface	I																																												
33	NCS	Chip select signal	I																																												
34	NRESET	System Reset	I																																												
35	IM0	System interface select: <table border="1"> <thead> <tr> <th rowspan="2">IM2</th> <th rowspan="2">IM1</th> <th rowspan="2">IM0</th> <th rowspan="2">MCU-Interface Mode</th> <th colspan="2">DB Pin in use</th> </tr> <tr> <th>Register/Content</th> <th>GRAM</th> </tr> </thead> <tbody> <tr> <td>0</td> <td>0</td> <td>0</td> <td>80 MCU 8-bit bus interface I</td> <td>D[7:0]</td> <td>D[7:0]</td> </tr> <tr> <td>0</td> <td>0</td> <td>1</td> <td>80 MCU 16-bit bus interface I</td> <td>D[7:0]</td> <td>D[15:0]</td> </tr> <tr> <td>0</td> <td>1</td> <td>0</td> <td>80 MCU 9-bit bus interface I</td> <td>D[7:0]</td> <td>D[8:0]</td> </tr> <tr> <td>0</td> <td>1</td> <td>1</td> <td>80 MCU 18-bit bus interface I</td> <td>D[7:0]</td> <td>D[17:0]</td> </tr> <tr> <td>1</td> <td>0</td> <td>1</td> <td>3-wire 9-bit data serial interface I</td> <td colspan="2">SDA: In/OUT</td> </tr> <tr> <td>1</td> <td>1</td> <td>0</td> <td>4-wire 8-bit data serial interface I</td> <td colspan="2">SDA: In/OUT</td> </tr> </tbody> </table>	IM2	IM1	IM0	MCU-Interface Mode	DB Pin in use		Register/Content	GRAM	0	0	0	80 MCU 8-bit bus interface I	D[7:0]	D[7:0]	0	0	1	80 MCU 16-bit bus interface I	D[7:0]	D[15:0]	0	1	0	80 MCU 9-bit bus interface I	D[7:0]	D[8:0]	0	1	1	80 MCU 18-bit bus interface I	D[7:0]	D[17:0]	1	0	1	3-wire 9-bit data serial interface I	SDA: In/OUT		1	1	0	4-wire 8-bit data serial interface I	SDA: In/OUT		I
IM2	IM1						IM0	MCU-Interface Mode	DB Pin in use																																						
			Register/Content	GRAM																																											
0	0		0	80 MCU 8-bit bus interface I	D[7:0]	D[7:0]																																									
0	0		1	80 MCU 16-bit bus interface I	D[7:0]	D[15:0]																																									
0	1		0	80 MCU 9-bit bus interface I	D[7:0]	D[8:0]																																									
0	1	1	80 MCU 18-bit bus interface I	D[7:0]	D[17:0]																																										
1	0	1	3-wire 9-bit data serial interface I	SDA: In/OUT																																											
1	1	0	4-wire 8-bit data serial interface I	SDA: In/OUT																																											
36	IM1																																														
37	IM2																																														
38	GND	Ground	P																																												
39	VLED+	Anode of LED backlight.	P																																												
40	VLED-	Cathode of LED backlight.	P																																												



DESIGN • MANUFACTURE • SUPPLY



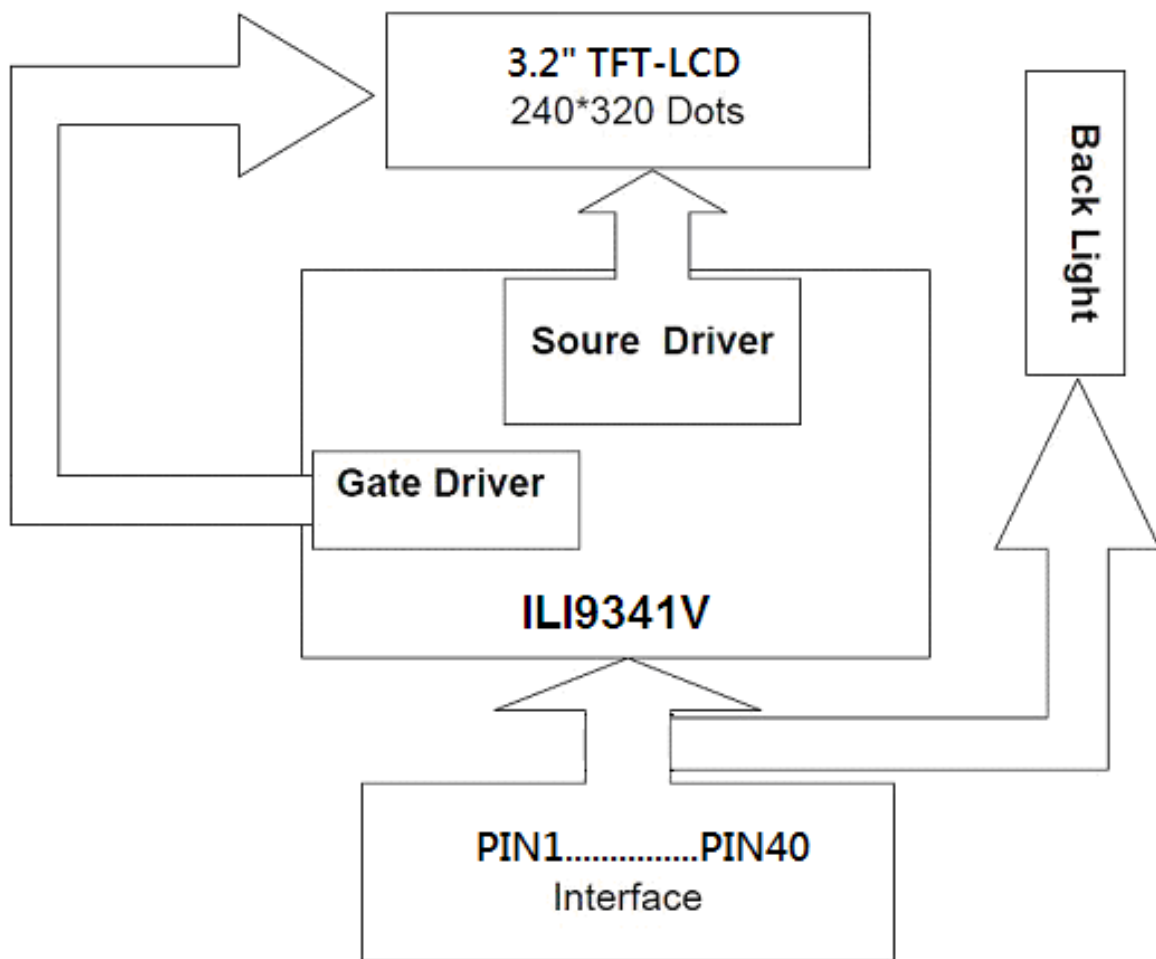
# Contour Drawing



DESIGN • MANUFACTURE • SUPPLY



## Block Diagram



## Absolute Maximum Ratings

Item	Symbol	Min	Typ	Max	Unit
Operating Temperature	TOP	-20	—	+70	°C
Storage Temperature	TST	-30	—	+80	°C

Note: Device is subject to be damaged permanently if stresses beyond those absolute maximum ratings listed above

- Temp.  $\leq 60^{\circ}\text{C}$ , 90% RH MAX. Temp.  $> 60^{\circ}\text{C}$ , Absolute humidity shall be less than 90% RH at  $60^{\circ}\text{C}$



# Electrical Characteristics

## 1. Operating conditions:

Item	Symbol	Condition	Min	Type	Max	Unit
Power supply voltage	VCI		2.5	2.8	3.3	V
Power supply voltage	IOVCC		1.65	2.8	3.3	V
Input high voltage	Vih		0.7IOVCC	-	IOVCC	V
Input low voltage	Vil		GND	-	0.3IOVCC	V
Output high voltage	Voh	IOL=-1.0mA	0.8 IOVCC	-	IOVCC	V
Output low voltage	Vol	IOL =1.0mA	GND	-	0.2 IOVCC	V
Current consumption	Ivci	-	-	5.5	8.25	mA

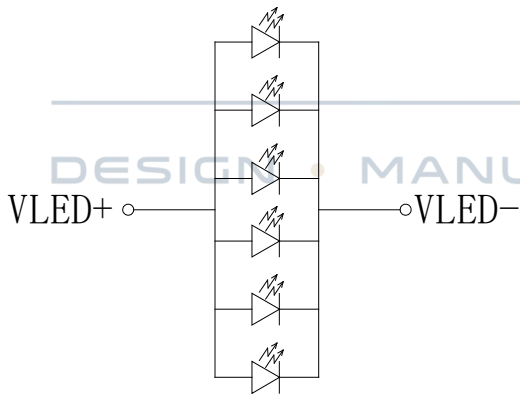
This value is test for VDD=3.3V , Ta=25 °C only

## 2. LED driving conditions

Parameter	Symbol	Min	Typ	Max	Unit	Remark
LED current	—	—	120	—	mA	—
LED voltage	VLED+	5.5	6.0	6.5	V	Note 1
LED Life Time	—	—	50000	—	Hr	Note 2,3

Note 1 : There are 1 Groups LED

Note 2 : Ta = 25°C



CIRCUIT DIAGRAM

Note 3 : Brightness to be decreased to 50% of the initial value



# Optical Characteristics

Item	Symbol	Condition.	Min	Typ.	Max.	Unit	Remark	
Response time	Tr	$\theta=0^\circ \cdot \phi=0^\circ$	-	4	8	.ms	Note 3	
	Tf		-	12	24	.ms		
Contrast ratio	CR	At optimized viewing angle	400	500	-	-	Note 4	
Color Chromaticity	White	$\theta=0^\circ \cdot \phi=0^\circ$	Wx	0.26	0.31	0.36		Note 2,6,7
			Wy	0.28	0.33	0.38		
Viewing angle (Gray Scale Inversion Direction)	Hor.	$\Theta_R$	CR $\geq 10$	35	45	-	Deg.	Note 1
		$\Theta_L$		35	45	-		
	Ver.	$\Phi_T$		35	45	-		
		$\Phi_B$		10	20	-		
Brightness	-	-	900	1000	-	cd/m <sup>2</sup>	Center of display	
Uniformity	(U)	-	75	-	-	%	Note 5	

Ta=25±2°C

Note 1: Definition of viewing angle range

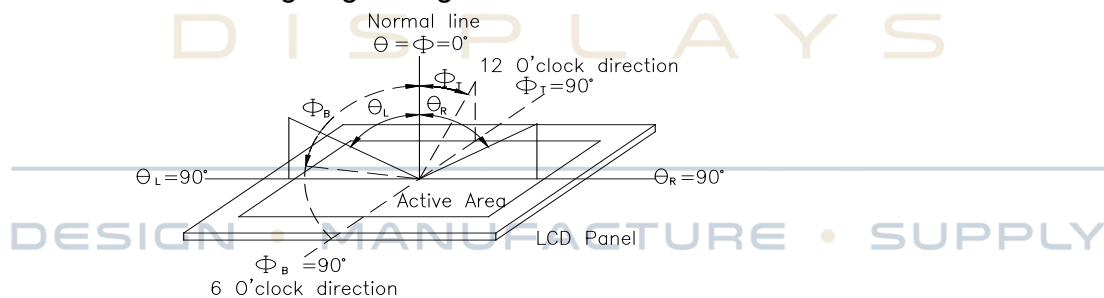


Fig 9.1. Definition of viewing angle

Note 2: Test equipment setup:

After stabilizing and leaving the panel alone at a driven temperature for 10 minutes, the measurement should be executed. Measurement should be executed in a stable, windless, and dark room. Optical specifications are measured by Topcon BM-7 or BM-5 luminance meter 1.0° field of view at a distance of 50cm and normal direction.

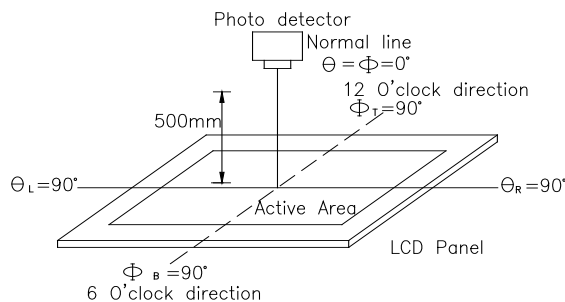


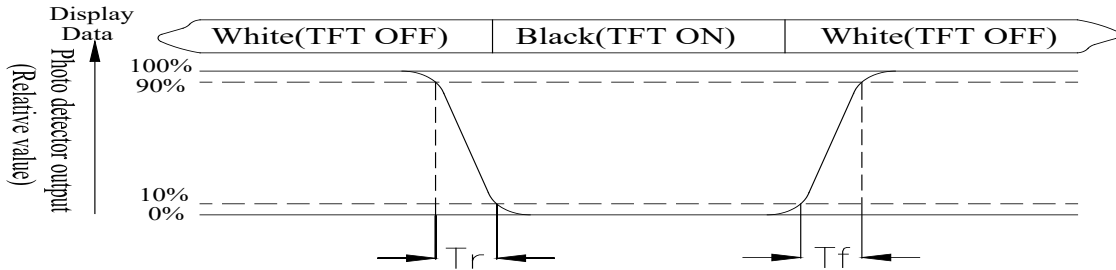
Fig 9.2. Optical measurement system setup





Note 3: Definition of Response time:

The response time is defined as the LCD optical switching time interval between "White" state and "Black" state. Rise time,  $T_r$ , is the time between photo detector output intensity changed from 90% to 10%. And fall time,  $T_f$ , is the time between photo detector output intensity changed from 10% to 90%



Note 4: Definition of contrast ratio:

The contrast ratio is defined as the following expression.

$$\text{Contrast ratio (CR)} = \frac{\text{Luminance measured when LCD on the "White" state}}{\text{Luminance measured when LCD on the "Black" state}}$$

Note 5: Definition of Luminance Uniformity

Active area is divided into 9 measuring areas (reference the picture in below). Every measuring point is placed at the center of each measuring area.

Luminance Uniformity (U) =  $L_{\min}/L_{\max} \times 100\%$

L = Active area length

W = Active area width

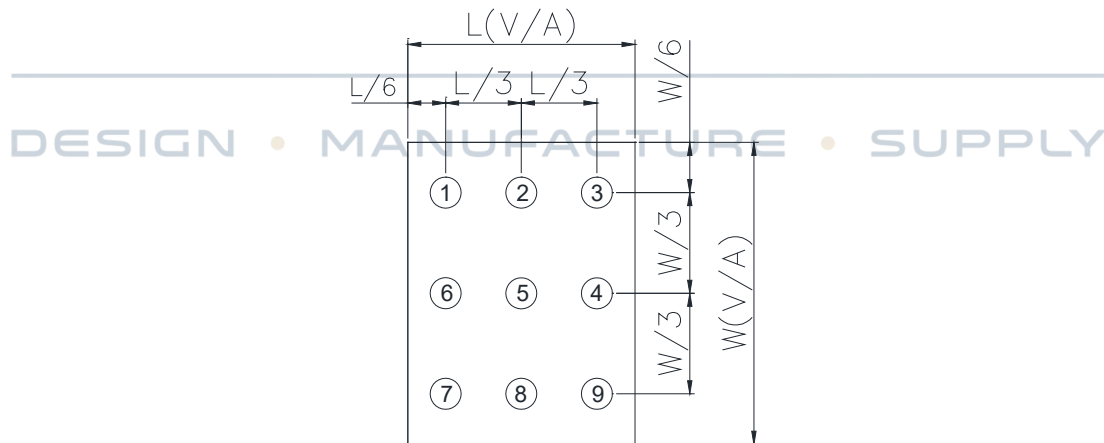


Fig 9.3. Definition of uniformity

Note 6: Definition of color chromaticity (CIE 1931)

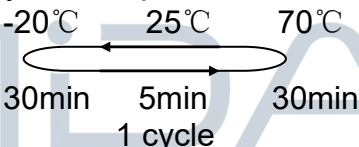
Color coordinates measured at the center point of LCD

Note 7: Measured at the center area of the panel when all the input terminals of LCD panel are electrically opened.



# Reliability

Content of Reliability Test (Wide temperature, -20°C~70°C)

Environmental Test			
Test Item	Content of Test	Test Condition	Note
High Temperature storage	Endurance test applying the high storage temperature for a long time.	80°C 96hrs	2
Low Temperature storage	Endurance test applying the low storage temperature for a long time.	-30°C 96hrs	1,2
High Temperature Operation	Endurance test applying the electric stress (Voltage & Current) and the thermal stress to the element for a long time.	70°C 96hrs	—
Low Temperature Operation	Endurance test applying the electric stress under low temperature for a long time.	-20°C 96hrs	1
High Temperature/ Humidity Operation	The module should be allowed to stand at 40°C, 90%RH max	40°C, 90%RH 96hrs	1,2
Thermal shock resistance	The sample should be allowed stand the following 10 cycles of operation 	-20°C/70°C 10 cycles	—
Vibration test	Endurance test applying the vibration during transportation and using.	Total fixed amplitude : 1.5mm Vibration Frequency : 10~55Hz One cycle 60 seconds to 3 directions of X,Y,Z for Each 15 minutes	3
Static electricity test	Endurance test applying the electric stress to the terminal.	VS=±600V(contact) ,±800v(air), RS=330Ω CS=150pF 10 times	—

Note1: No dew condensation to be observed.

Note2: The function test shall be conducted after 4 hours storage at the normal Temperature and humidity after remove from the test chamber.

Note3: The packing have to including into the vibration testing.

