

## ACFJ-3262

# Industrial Dual-Channel 10-Amp Peak Gate Drive Optocoupler for MOSFET/GaN FET with Rail-to-Rail Output Voltage in an SO-24 Package

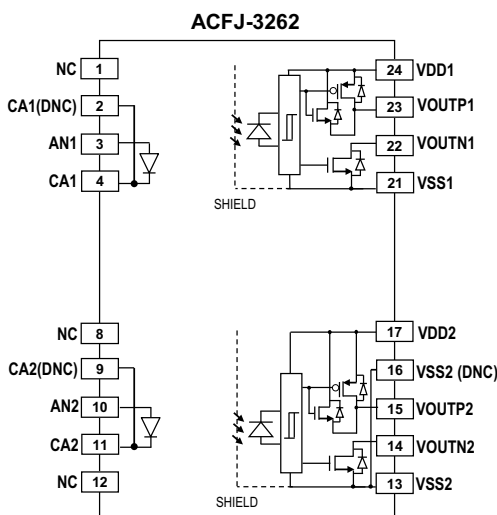
### Description

The Broadcom<sup>®</sup> ACFJ-3262 driver is a 10A peak, rail-to-rail output gate drive optocoupler. The ACFJ-3262 comes in a compact, surface-mountable SO-24 package with two independent isolated channels for space savings. It provides an isolation voltage of 5000  $V_{rms}$  between input and output channels and 1500  $V_{rms}$  between two output channels.

The ACFJ-3262 is primarily designed with high peak driving current capability to ensure optimum performance for direct driving Power MOSFET or GaN FET in various applications. The ACFJ-3262 features fast propagation delay and tight channel-to-channel skew, which make it ideal for driving Power MOSFET and GaN FET at high frequency DC-DC and AC-DC converters.

Broadcom isolation products provide reinforced insulation and reliability that deliver safe signal isolation critical in automotive and high temperature industrial applications.

**Figure 1: Functional Diagram**



### Features

- Industrial temperature range:  $-40^{\circ}\text{C}$  to  $+125^{\circ}\text{C}$
- High output driving current: 10A (typical)
- Rail-to-rail output voltage
- Propagation delay: 95 ns max.
- Channel-to-channel skew: 9 ns max.
- Wide operating supply ( $V_{DD}$ ) range: 10V to 25V
- Under-voltage lockout (UVLO) protection with hysteresis
- Low supply current allows bootstrap half-bridge topology:  $I_{DD} = 4$  mA max.
- Common mode transient immunity (CMTI): 100 kV/ $\mu\text{s}$  at  $V_{CM} = 1000\text{V}$
- High noise immunity
  - Direct LED input with low input impedance and low noise sensitivity
- Dual-channel in SO-24 package with 8.3-mm creepage and clearance
- 2.8-mm creepage between two output drivers
- Regulatory approvals:
  - UL1577 5000  $V_{rms}$  for 1 min
  - CAN/CSA-C22.2 No. 62368-1
  - IEC/EN 60747-5-5  $V_{IORM} = 1230 V_{PEAK}$

### Applications

- Power supply and charger
- Renewable energy inverter and storage
- Motor Drive for Industrial automation and robotics

**CAUTION!** Take normal static precautions in the handling and assembly of this component to prevent damage, degradation, or both that might be induced by ESD. The components featured in this data sheet are not to be used in military or aerospace applications or environments. The component is not AEC-Q100 qualified and not recommended for automotive applications.

# Ordering Information

Part Number	Option (RoHS Compliant)	Package	Surface Mount	Tape and Reel	IEC/EN 60747-5-5	Quantity
ACFJ-3262	-000E	SO-24	X		X	45 per tube
	-500E		X	X	X	850 per reel

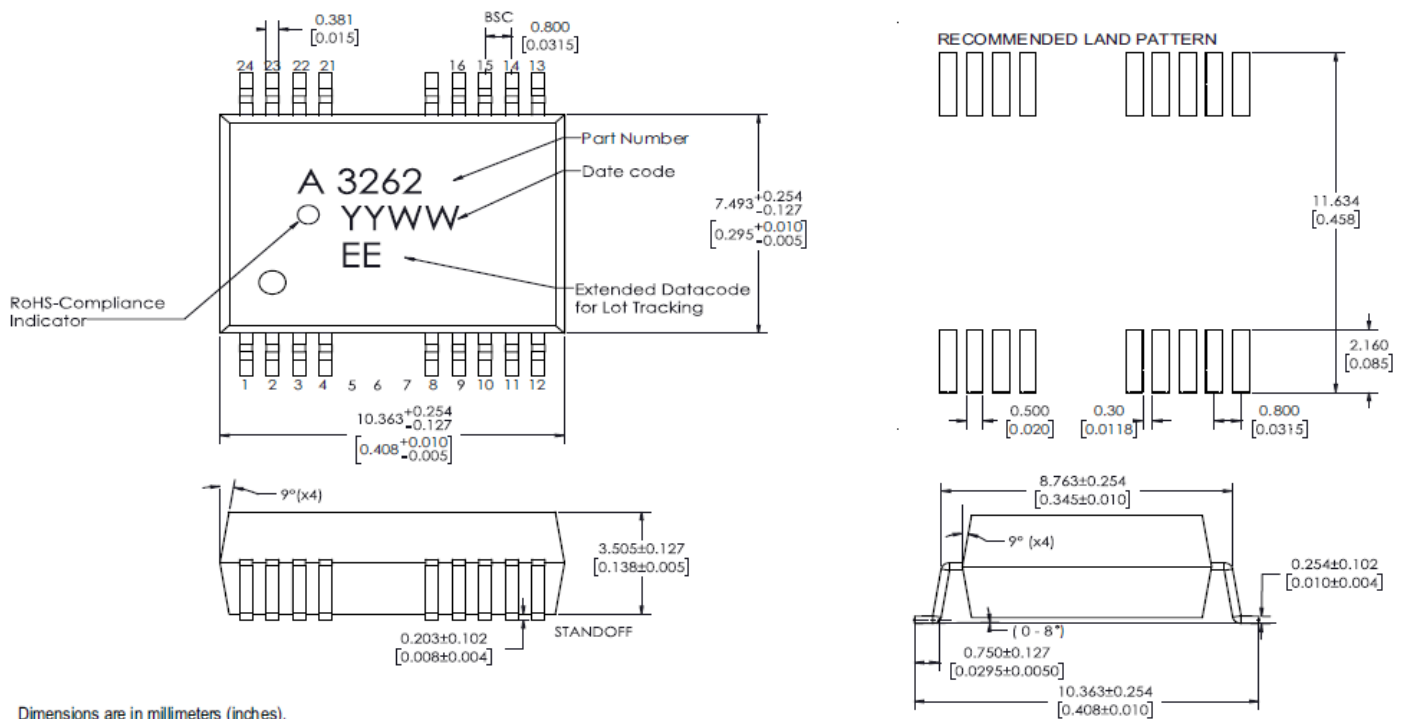
To order, choose a part number from the part number column and combine it with the desired option from the option column to form an order entry.

**Example:** ACFJ-3262-500E to order the product of SO-24 Surface Mount package in Tape and Reel packaging with IEC/EN 60747-5-5 Safety Approval in RoHS compliant.

Options data sheets are available. Contact your Broadcom sales representative or an authorized distributor for information.

# Package Outline Drawing

Figure 2: ACFJ-3262 Package Outline Drawing



Dimensions are in millimeters (inches).

Note:  
 Lead conplanarity = 0.10 mm (0.004 inches).  
 Mold Flash on each side = 0.203 mm (0.008 inches) max.  
 Contact the PCB manufacturer for solder mask tolerance between and around signal pads.

# Recommended PB-Free IR Profile

Recommended reflow condition as per JEDEC Standard, J-STD-020 (latest revision).

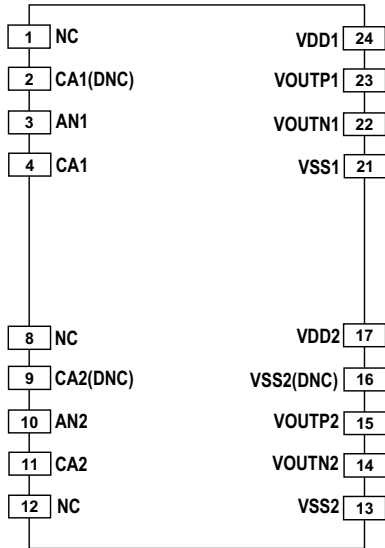
**NOTE:** Non-halide flux should be used.

## Product Overview Description

The ACFJ-3262 is a dual-channel, high peak driving current, rail-to-rail output isolated MOSFET/GaN gate driver in compact SO-24 package. It can operate over wide  $V_{DD}$  range of 10V to 25V with under-voltage lockout protection. The ACFJ-3262 has two separate source and sink outputs to facilitate tuning of turn-on and turn-off gate resistors. Direct LED input allows flexible logic configuration and differential current mode driving with low input impedance, greatly increasing noise immunity.

## Package Pinout

Figure 3: ACFJ-3262 Pinout



## Pin Descriptions

Pin	Name	Function	Pin	Name	Function
1	NC	No connection	24	VDD1	Driver 1 supply voltage
2	CA1(DNC)	Cathode 1 (Do not connect externally.)	23	VOUTP1	Driver 1 output to turn on gate of MOSFET/GaN
3	AN1	Anode 1	22	VOUTN1	Driver 1 output to turn off gate of MOSFET/GaN
4	CA1	Cathode 1	21	VSS1	Driver 1 Ground (Connect a decoupling capacitor to VSS1 and VDD1 locally and closely to the device.)
8	NC	No connection	17	VDD2	Driver 2 supply voltage
9	CA2 (DNC)	Cathode 2 (Do not connect externally.)	16	VSS2 (DNC)	Driver 2 Ground (Additional pin for VSS2 lead frame support. Internally connected to pin 13. Do not connect externally to avoid ground loop.)
10	AN2	Anode 2	15	VOUTP2	Driver 2 output to turn on gate of MOSFET/GaN
11	CA2	Cathode 2	14	VOUTN2	Driver 2 output to turn off gate of MOSFET/GaN
12	NC	No connection	13	VSS2	Driver 2 Ground (Connect a decoupling capacitor to VSS2 and VDD2 locally and closely to the device.)

## Regulatory Information

The ACFJ-3262 is approved by the following organizations:

- **UL** – Recognized under UL 1577, component recognition program up to  $V_{ISO} = 5000 V_{rms}$
- **CAN/CSA** – CAN/CSA-C22.2 No. 62368-1
- **IEC/EN 60747-5-5** – IEC 60747-5-5, EN 60747-5-5

## IEC/EN 60747-5-5 Insulation Characteristics

Description	Symbol	Characteristic	Unit
Installation Classification per DIN VDE 0110/1.89, Table 1 For Rated Mains Voltage $\leq 150 V_{rms}$ For Rated Mains Voltage $\leq 300 V_{rms}$ For Rated Mains Voltage $\leq 600 V_{rms}$ For Rated Mains Voltage $\leq 1000 V_{rms}$	—	I – IV I – IV I – IV I – III	—
Climatic Classification	—	40/125/21	—
Pollution Degree (DIN VDE 0110/1.89)	—	2	—
Maximum Working Insulation Voltage	$V_{IORM}$	1230	$V_{PEAK}$
Input to Output Test Voltage, Method b <sup>a</sup> $V_{IORM} \times 1.875 = V_{PR}$ , 100% Production Test with $t_m = 1$ second, Partial Discharge $< 5$ pC	$V_{PR}$	2306	$V_{PEAK}$
Input to Output Test Voltage, Method a <sup>a</sup> $V_{IORM} \times 1.6 = V_{PR}$ , Type and Sample Test, $t_m = 10$ seconds, Partial Discharge $< 5$ pC	$V_{PR}$	1968	$V_{PEAK}$
Highest Allowable Overvoltage <sup>a</sup> (Transient Overvoltage $t_{ini} = 60$ seconds)	$V_{IOTM}$	8000	$V_{PEAK}$
Safety-Limiting Values – maximum values allowed in the event of a failure <sup>b</sup> Case Temperature Input Current Output Power	$T_S$ $I_{S, INPUT}$ $P_{S, OUTPUT}$	175 400 1200	$^{\circ}C$ mA mW
Insulation Resistance at $T_S$ , $V_{IO} = 500V$	$R_S$	$>10^9$	$\Omega$

- a. Refer to the optocoupler section of the *Isolation and Control Components Designer's Catalog*, under the "Product Safety Regulation" section IEC/EN 60747-5-5, for a detailed description of Method a and Method b partial discharge test profiles.
- b. Isolation characteristics are guaranteed only within the safety maximum ratings, which must be ensured by protective circuits in application. Surface-mount classification is Class A in accordance with CECC00802.

## Insulation and Safety Related Specifications

Parameter	Symbol	Value	Unit	Conditions
Minimum External Air Gap (Clearance)	L(101)	8.3	mm	Measured from input terminals to output terminals, shortest distance through air.
Minimum External Tracking (Creepage)	L(102)	8.3	mm	Measured from input terminals to output terminals, shortest distance path along body.
Minimum Internal Plastic Gap (Internal Clearance)	—	0.3	mm	Through insulation, distance conductor to conductor, usually the straight-line distance thickness between the emitter and detector.
Tracking Resistance (Comparative Tracking Index)	CTI	> 600	V	DIN IEC 112/VDE 0303 Part 1.
Isolation Group	—	I	—	Material Group (DIN VDE 0110).

## Absolute Maximum Ratings

Parameter	Symbol	Min.	Max.	Unit	Note
Storage Temperature	$T_S$	-55	150	°C	
Operating Temperature	$T_A$	-40	125	°C	
IC Junction Temperature	$T_J$	—	150	°C	a
Average LED Input Current	$I_{F(AVG)}$	—	20	mA	
Peak Transient LED Input Current (<1 $\mu$ s pulse width, 300 pps)	$I_{F(TRAN)}$	—	1	A	
Reverse Input Voltage ( $V_{CA} - V_{AN}$ )	$V_R$	—	6	V	
Total Output Supply Voltage	$(V_{DD1} - V_{SS1}), (V_{DD2} - V_{SS2})$	-0.5	35	V	
High Side Output Voltage	$V_{OH(PEAK)}$	-0.5	$V_{DD}$	V	
Low Side Output Voltage	$V_{OL(PEAK)}$	-0.5	$V_{DD}$	V	
$V_{OH}$ Output Sourcing Current	$I_{OH}$	-7	—	A	b
$V_{OL}$ Output Sinking Current	$I_{OL}$	—	7	A	b
Output IC Power Dissipation	$P_O$	—	1000	mW	c
Total Power Dissipation	$P_T$	—	1100	mW	a

- a. Total power dissipation is derated linearly above 105°C at a rate of 21 mW/°C to 680 mW at 125°C. Maximum LED and IC junction temperature must not exceed 150°C.
- b. Maximum pulse width = 100 ns and duty cycle at 0.4%.
- c. Output IC power dissipation is derated linearly above 105°C from 1000 mW to 600 mW at 125°C.

## Recommended Operating Conditions

Parameter	Symbol	Min.	Max.	Unit	Note
Operating Temperature	$T_A$	-40	125	°C	
Total Output IC Supply Voltage	$(V_{DD} - V_{SS})$	10	25	V	
Input LED Turn On Current (ON)	$I_{F(ON)}$	10	16	mA	
Input LED Turn Off Voltage ( $V_{AN} - V_{CA}$ )	$V_{F(OFF)}$	-5.5	0.8	V	
Output IC Supply Decoupling Capacitor ( $V_{DD} - V_{SS}$ )	$C_{VDD}$	10	—	µF	a
Minimum Input Pulse Width	$t_{ON(LED)}$	100	—	ns	b

- a. It is recommended to check external decoupling capacitor derating guidelines.  
 b. Minimum input pulse width for a guarantee output pulse under no load condition.

## Electric Specifications (DC)

Unless otherwise specified, all minimum/maximum specifications are at recommended operating conditions. All typical values are at  $T_A = 25^\circ\text{C}$ ,  $V_{DD} - V_{SS} = 15\text{V}$ ,  $V_{SS} = \text{Ground}$ .

Parameter	Symbol	Min.	Typ.	Max.	Unit	Test Conditions	Fig.	Notes
$V_{OUTP}$ High Level Peak Sourcing Current	$I_{OH(PEAK)}$	—	-10	-6	A	$V_{DD} - V_{OUTP} = 15\text{V}$	15	a
$V_{OUTN}$ Low Level Peak Sinking Current	$I_{OL(PEAK)}$	6	9	—	A	$V_{OUTN} - V_{SS} = 15\text{V}$	14	a
$V_{OUTP}$ Output Transistor $R_{DS(ON)}$	$R_{DS,OH}$	0.4	0.8	1.3	Ω	$I_{OH} = -3\text{A}$		b
$V_{OUTN}$ Output Transistor $R_{DS(ON)}$	$R_{DS,OL}$	0.2	0.6	1.2	Ω	$I_{OL} = 3\text{A}$		b
$V_{OUTP}$ Output Voltage	$V_{OH}$	$V_{DD} - 0.3$	$V_{DD} - 0.06$	—	V	$I_F = 10\text{ mA}$ , $I_{OH} = -10\text{ mA}$		c
$V_{OUTN}$ Output Voltage	$V_{OL}$	—	0.06	0.3	V	$V_F = 0\text{V}$ , $I_{OL} = 100\text{ mA}$		
UVLO Threshold Low to High, $V_{DD} - V_{SS}$	$V_{UVLO+}$	8.2	8.6	9.1	V	$I_F = 10\text{ mA}$ , $V_{OH} > 5\text{V}$		
UVLO Threshold High to Low, $V_{DD} - V_{SS}$	$V_{UVLO-}$	7.2	7.6	8.0	V	$I_F = 10\text{ mA}$ , $V_{OL} < 5\text{V}$		
UVLO Hysteresis, $V_{DD} - V_{SS}$	$V_{UVLO\_HYS}$	0.8	1.0	1.3	V	—		
High Level Supply Current	$I_{DDH}$	—	2.8	4	mA	$I_F = 10\text{ mA}$ , No Load	13	
Low Level Supply Current	$I_{DDL}$	—	2.7	4	mA	$V_F = 0\text{V}$ , No Load	12	
LED Current Low to High Threshold	$I_{TH+}$	0.5	2.6	7	mA	—		
LED Current High to Low Threshold	$I_{TH-}$	—	2.1	6	mA	—		
LED Turn on Current Hysteresis	$I_{TH\_HYS}$	—	0.5	—	mA	—	11, 16	
LED Forward Voltage ( $V_{AN} - V_{CA}$ )	$V_F$	1.25	1.55	1.85	V	$I_F = 10\text{ mA}$		
Temperature Coefficient of LED Forward Voltage	$\Delta V_F / \Delta T_A$	—	-1.7	—	mV/°C	$I_F = 10\text{ mA}$		
LED High to Low Threshold Voltage	$V_{FHL}$	0.8	—	—	V	—		
LED Reverse Breakdown Voltage ( $V_{CA} - V_{AN}$ )	$V_{BR}$	6	—	—	V	$I_F = -100\text{ }\mu\text{A}$		
LED Input Capacitance	$C_{IN}$	—	30	—	pF	—		

- a. Short circuit pulsed current at  $V_{DD} - V_{SS} = 30\text{V}$  and pulse duration less than 1 µs.  
 b. Output is sourced at -3A or 3A with maximum pulse width of 10 µs.  
 c.  $V_{OH}$  is measured with a DC load current. Maximum pulse width = 1ms. When driving capacitive loads,  $V_{OH}$  will approach  $V_{DD}$  as  $I_{OH}$  approaches zero amps.

## Switching Specifications (AC)

Unless otherwise specified, all minimum/maximum specifications are at recommended operating conditions. All typical values at  $T_A = 25^\circ\text{C}$ ,  $V_{DD} - V_{SS} = 15\text{V}$ ,  $V_{SS} = \text{Ground}$ .

Parameter	Symbol	Min.	Typ.	Max.	Unit	Test Conditions	Fig.	Notes
Input Pulse to High Level Output Propagation Delay Time	$t_{PLH}$	45	68	95	ns	$C_L = 2.2 \text{ nF}$ , $f = 20 \text{ kHz}$ , Duty cycle = 50%, $R_G = 2\Omega$ , $R_{IN} = 240\Omega$ , $V_{IN} = 5.5\text{V}$	4, 5, 8	
Input Pulse to Low Level Output Propagation Delay Time	$t_{PHL}$	45	67	95	ns		4, 5, 9	
Pulse Width Distortion ( $t_{PHL} - t_{PLH}$ )	PWD	-20	—	20	ns		10	a
Dead Time Distortion Caused by Any Two Parts ( $t_{PLH} - t_{PHL}$ )	DTD	-30	—	30	ns			b
Channel-to-Channel Skew	$T_{CSK}$	-9	—	9	ns			c
Output Rise Time (20% to 80%)	$t_R$	—	7	15	ns		5	
Output Fall Time (80% to 20%)	$t_F$	—	7	15	ns		5	
Output High Level Common Mode Transient Immunity	$ CM_H $	100	—	—	kV/ $\mu\text{s}$	$T_A = 25^\circ\text{C}$ , $V_{DD} = 15\text{V}$ , $V_{CM} = 1 \text{ kV}$ , with current limiting resistors at both AN and CA nodes	6	d
Output Low Level Common Mode Transient Immunity	$ CM_L $	100	—	—	kV/ $\mu\text{s}$		7	e

- Pulse width distortion (PWD) is defined as  $t_{PHL} - t_{PLH}$  for any given device.
- Dead time distortion (DTD) is defined as  $t_{PLH} - t_{PHL}$  between any two parts under the same test condition. A negative DTD reduces original system dead time, while a positive DTD increases original system dead time.
- Channel-to-channel skew ( $T_{CSK}$ ) is defined as propagation delay difference between two channels under the same test conditions.
- Common mode transient immunity in the high state is the maximum tolerable  $dV_{CM}/dt$  of the common mode pulse,  $V_{CM}$ , to ensure that the output will remain in the high state (that is,  $V_{OUT} > 10\text{V}$ ).
- Common mode transient immunity in a low state is the maximum tolerable  $dV_{CM}/dt$  of the common mode pulse,  $V_{CM}$ , to ensure that the output will remain in a low state (that is,  $V_{OUT} < 1.0\text{V}$ ).

## Package Characteristics

Parameter	Symbol	Min.	Typ.	Max.	Unit	Test Conditions	Note
Input-Output Momentary Withstand Voltage	$V_{ISO}$	5000	—	—	$V_{rms}$	RH < 50%, $t = 1 \text{ min.}$ $T_A = 25^\circ\text{C}$	a, b
Output-Output Momentary Withstand Voltage	$V_{O-O}$	1500	—	—	$V_{rms}$		c
Resistance (Input-Output)	$R_{I-O}$	—	$10^{14}$	—	$\Omega$	$V_{I-O} = 500 \text{ V}_{DC}$	c
Capacitance (Input-Output)	$C_{I-O}$	—	0.8	—	pF	$f = 1 \text{ MHz}$	c

- In accordance with UL 1577, each ACFJ-3262 optocoupler is proof-tested by applying an insulation test voltage  $\geq 6000 \text{ V}_{rms}$  for 1 second. This test is performed before 100% production test for partial discharge (method b) shown in the [IEC/EN 60747-5-5 Insulation Characteristics](#) table.
- The device is considered a two-terminal device: pins on input side shorted together and pins on output side shorted together.
- The device is considered a two-terminal device: channel one output side pins shorted together, and channel two output side pins shorted together.

# Parameter Measurements

Figure 4 depicts the test setup to measure the gate driver’s propagation delay. Note that without the load capacitance, typical measured delays can be reduced by 7% to 10%. These settings correlate to the loading effects found in most applications.

**Figure 4: Propagation Delay Measurement Test Setup**

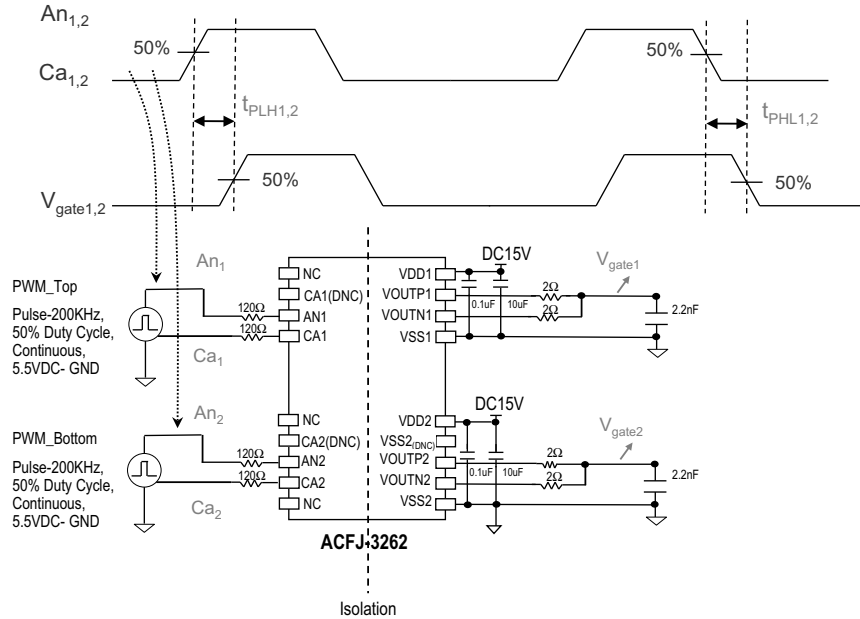
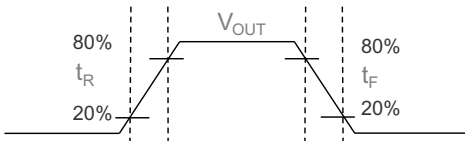


Figure 5 shows the 20% to 80% rise and fall time measurement.

**Figure 5: Rise and Fall Time Measurement**





Both CMR High (Figure 6) and Low (Figure 7)  $V_O$  are probed in the presence of  $V_{CM}$  at 1000V.

Figure 6: CMR  $V_O$  High Test Circuit

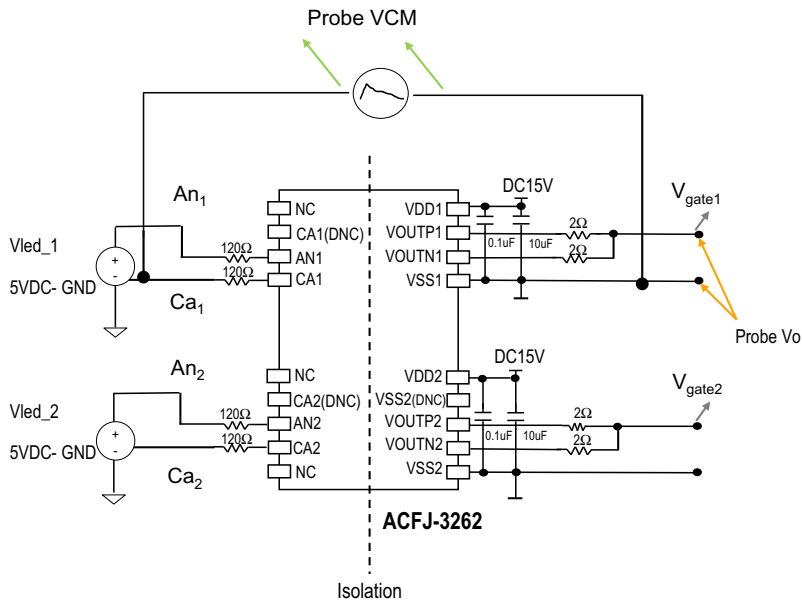
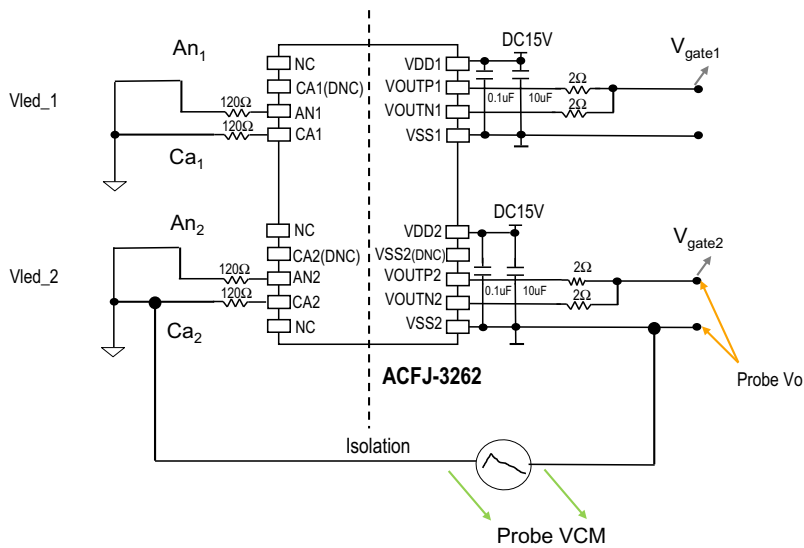


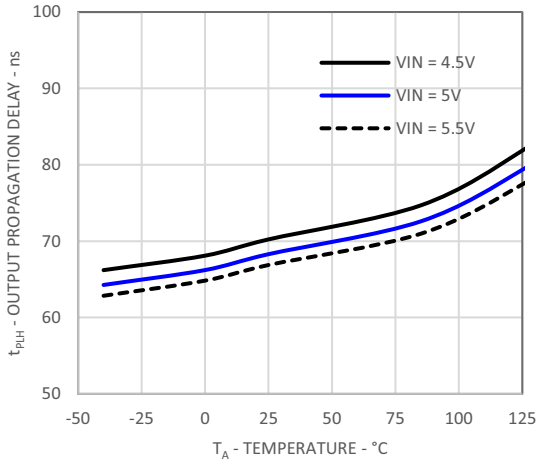
Figure 7: CMR  $V_O$  Low Test Circuit



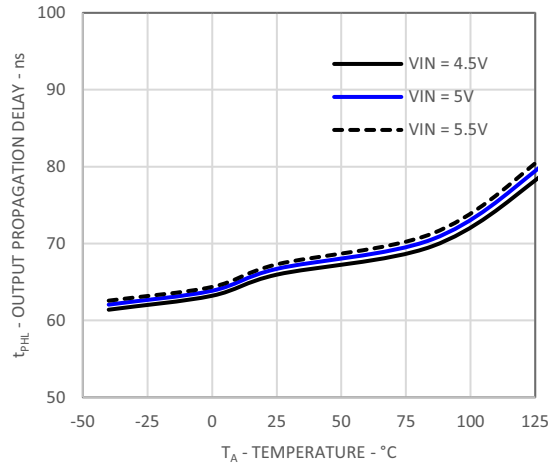
# Typical Performance Plots

$T_A = 25^\circ\text{C}$ ,  $V_{DD} - V_{SS} = 15\text{V}$ ,  $V_{SS} = \text{Ground}$ . With capacitance load of 2.2 nF, unless otherwise noted.

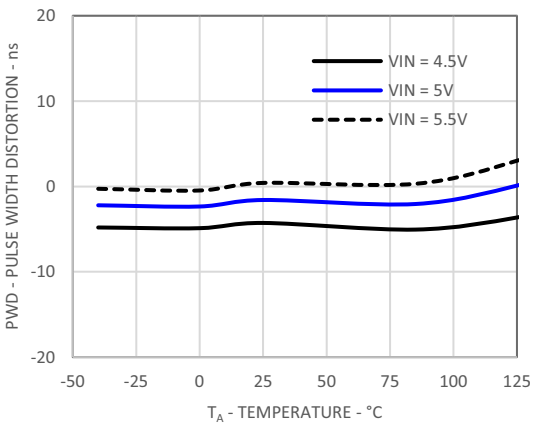
**Figure 8:  $t_{PLH}$  vs Temperature ( $V_{OUTP}$ )**



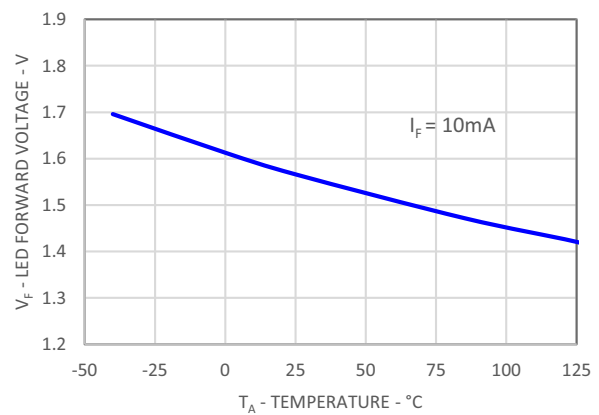
**Figure 9:  $t_{PHL}$  vs Temperature ( $V_{OUTN}$ )**



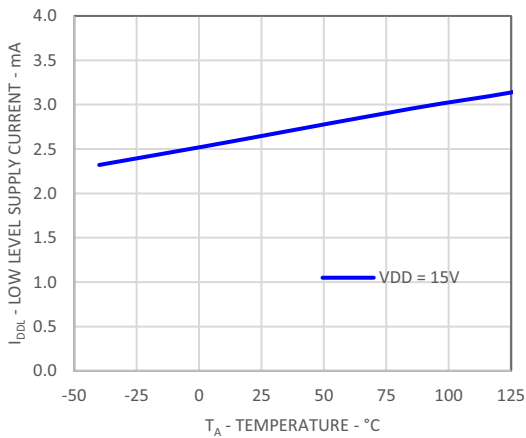
**Figure 10: Pulse Width Distortion vs Temperature**



**Figure 11:  $V_F$  vs Temperature**



**Figure 12:  $I_{DDL}$  vs Temperature**



**Figure 13:  $I_{DDH}$  vs Temperature**

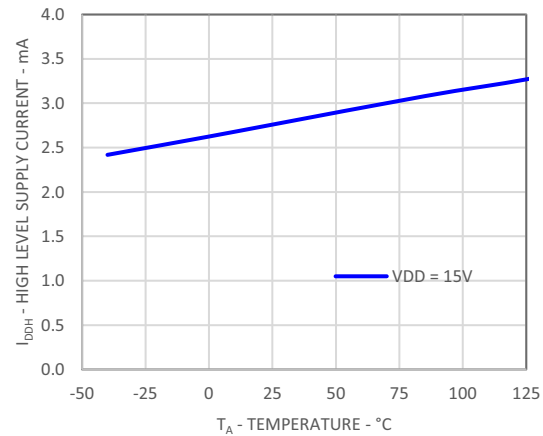


Figure 14:  $I_{OL}$  vs  $V_{OUTN}$

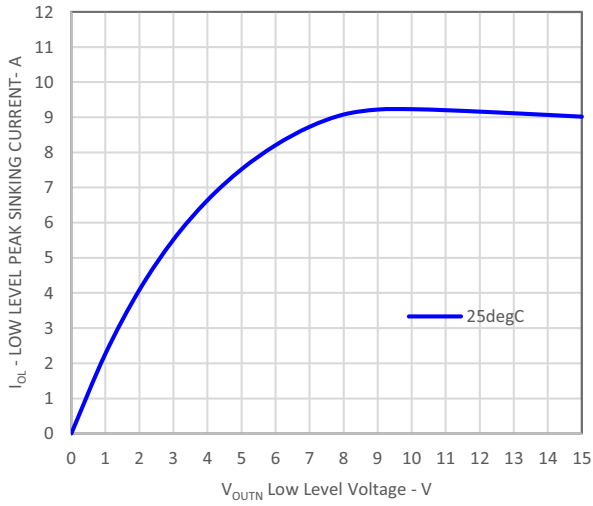


Figure 15:  $I_{OH}$  vs  $(V_{DD} - V_{OUTP})$

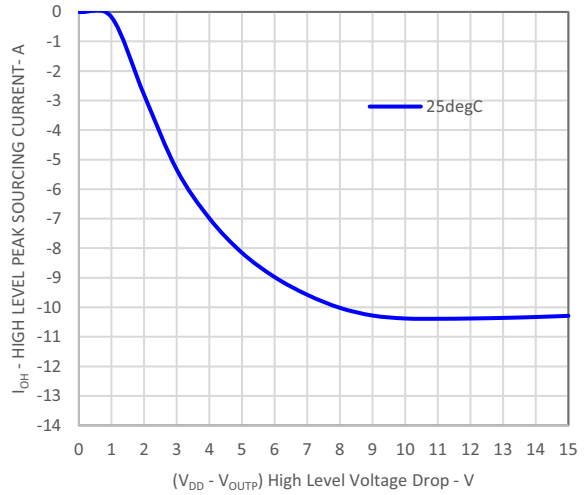


Figure 16:  $I_F$  vs  $V_F$

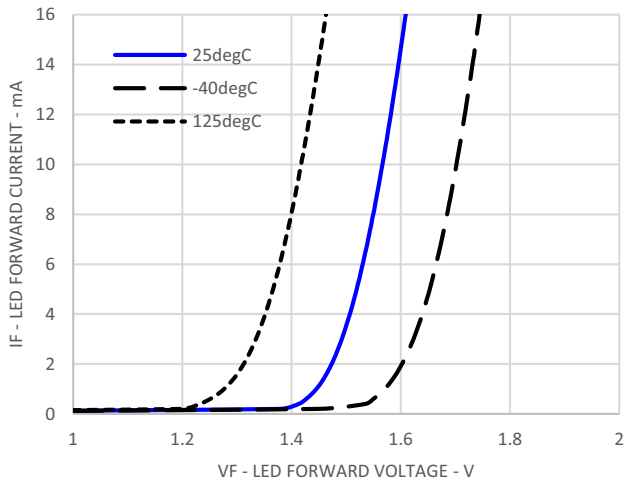
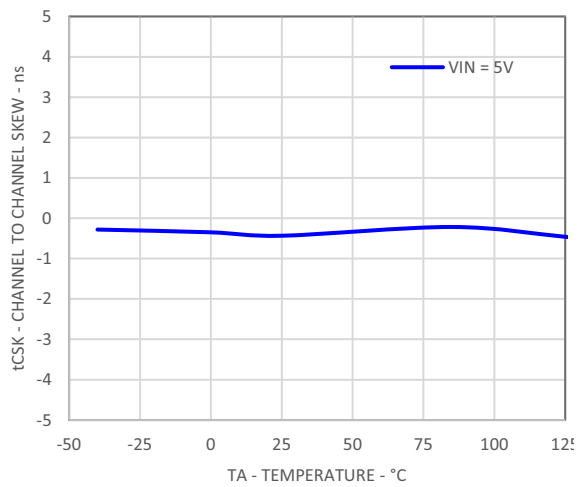


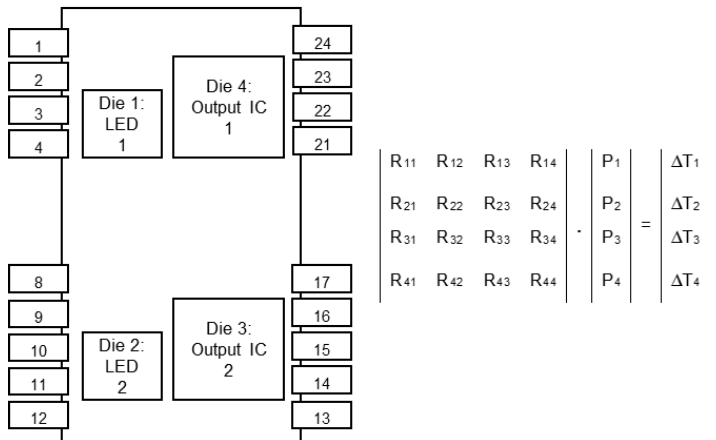
Figure 17: Channel-to-Channel Skew vs Temperature



## Thermal Resistance Model for ACFJ-3262

Figure 18 shows the diagram for thermal resistance measurement. This is a multichip package with four heat sources. The effect of heating on one die due to the adjacent dice is considered by applying the theory of linear superposition. One die is heated while the temperatures of all the other dice are recorded after thermal equilibrium is reached. Hereafter, the second die is heated and all the die temperatures are recorded, and so on, until the fourth die is heated. With the known ambient temperature, die junction temperature, and power dissipation, the thermal resistance can be calculated. The thermal resistance calculation can be cast in matrix form. This yields a 4-by-4 matrix for our case of four heat sources.

Figure 18: Thermal Resistance Measurements



### Definitions

$R_{11}$ : Thermal Resistance of Die1 due to heating of Die1 ( $^{\circ}\text{C}/\text{W}$ )

$R_{12}$ : Thermal Resistance of Die1 due to heating of Die2 ( $^{\circ}\text{C}/\text{W}$ )

$R_{13}$ : Thermal Resistance of Die1 due to heating of Die3 ( $^{\circ}\text{C}/\text{W}$ )

$R_{14}$ : Thermal Resistance of Die1 due to heating of Die4 ( $^{\circ}\text{C}/\text{W}$ )

$R_{21}$ : Thermal Resistance of Die2 due to heating of Die1 ( $^{\circ}\text{C}/\text{W}$ )

$R_{22}$ : Thermal Resistance of Die2 due to heating of Die2 ( $^{\circ}\text{C}/\text{W}$ )

$R_{23}$ : Thermal Resistance of Die2 due to heating of Die3 ( $^{\circ}\text{C}/\text{W}$ )

$R_{24}$ : Thermal Resistance of Die2 due to heating of Die4 ( $^{\circ}\text{C}/\text{W}$ )

$R_{31}$ : Thermal Resistance of Die3 due to heating of Die1 ( $^{\circ}\text{C}/\text{W}$ )

$R_{32}$ : Thermal Resistance of Die3 due to heating of Die2 ( $^{\circ}\text{C}/\text{W}$ )

$R_{33}$ : Thermal Resistance of Die3 due to heating of Die3 ( $^{\circ}\text{C}/\text{W}$ )

$R_{34}$ : Thermal Resistance of Die3 due to heating of Die4 ( $^{\circ}\text{C}/\text{W}$ )

$R_{41}$ : Thermal Resistance of Die4 due to heating of Die1 ( $^{\circ}\text{C}/\text{W}$ )

$R_{42}$ : Thermal Resistance of Die4 due to heating of Die2 ( $^{\circ}\text{C}/\text{W}$ )

$R_{43}$ : Thermal Resistance of Die4 due to heating of Die3 ( $^{\circ}\text{C}/\text{W}$ )

$R_{44}$ : Thermal Resistance of Die4 due to heating of Die4 ( $^{\circ}\text{C}/\text{W}$ )

$P_1$ : Power dissipation of Die1 (W)

$P_2$ : Power dissipation of Die2 (W)

$P_3$ : Power dissipation of Die3 (W)

$P_4$ : Power dissipation of Die4 (W)

$T_1$ : Junction temperature of Die1 due to heat from all dice ( $^{\circ}\text{C}$ )

$T_2$ : Junction temperature of Die2 due to heat from all dice ( $^{\circ}\text{C}$ )

$T_3$ : Junction temperature of Die3 due to heat from all dice ( $^{\circ}\text{C}$ )

$T_4$ : Junction temperature of Die4 due to heat from all dice ( $^{\circ}\text{C}$ )

$T_A$ : Ambient temperature ( $^{\circ}\text{C}$ )

$\Delta T_1$ : Temperature difference between Die1 junction and  $T_A$

$\Delta T_2$ : Temperature difference between Die2 junction and  $T_A$

$\Delta T_3$ : Temperature difference between Die3 junction and  $T_A$

$\Delta T_4$ : Temperature difference between Die4 junction and  $T_A$

$$T_1 = (R_{11} \times P_1 + R_{12} \times P_2 + R_{13} \times P_3 + R_{14} \times P_4) + T_A \quad (1)$$

$$T_2 = (R_{21} \times P_1 + R_{22} \times P_2 + R_{23} \times P_3 + R_{24} \times P_4) + T_A \quad (2)$$


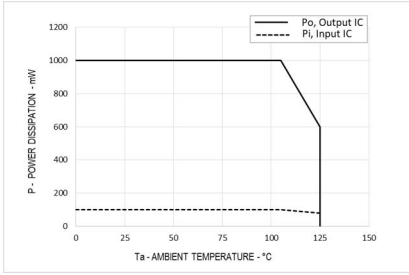
$$T_3 = (R_{31} \times P_1 + R_{32} \times P_2 + R_{33} \times P_3 + R_{34} \times P_4) + T_A \quad (3)$$

$$T_4 = (R_{41} \times P_1 + R_{42} \times P_2 + R_{43} \times P_3 + R_{44} \times P_4) + T_A \quad (4)$$

## Measurement Data

Measurement is done on a high effective thermal conductivity board according to JEDEC Standard 51-7.

**Table 1: Test Board Thermal Conductivity Measurement Data**

Test Board	Test Board Conditions	Thermal Resistance	Power Dissipation Derating Chart
 <p>76.2mm</p> <p>76.2mm</p>	<p>4-layer board that embodies two signal layers, a power plane, and a ground plane.</p> <p>Outer layers: 2 oz. Copper thickness</p> <p>Inner layers: 1 oz. Copper thickness</p>	<p><math>R_{11} = 193.9^{\circ}\text{C}/\text{W}</math></p> <p><math>R_{12} = 16.6^{\circ}\text{C}/\text{W}</math></p> <p><math>R_{13} = 12^{\circ}\text{C}/\text{W}</math></p> <p><math>R_{14} = 20.5^{\circ}\text{C}/\text{W}</math></p> <p><math>R_{21} = 16.7^{\circ}\text{C}/\text{W}</math></p> <p><math>R_{22} = 204.9^{\circ}\text{C}/\text{W}</math></p> <p><math>R_{23} = 19.7^{\circ}\text{C}/\text{W}</math></p> <p><math>R_{24} = 12^{\circ}\text{C}/\text{W}</math></p> <p><math>R_{31} = 16.7^{\circ}\text{C}/\text{W}</math></p> <p><math>R_{32} = 31^{\circ}\text{C}/\text{W}</math></p> <p><math>R_{33} = 42^{\circ}\text{C}/\text{W}</math></p> <p><math>R_{34} = 13.3^{\circ}\text{C}/\text{W}</math></p> <p><math>R_{41} = 31.6^{\circ}\text{C}/\text{W}</math></p> <p><math>R_{42} = 17.5^{\circ}\text{C}/\text{W}</math></p> <p><math>R_{43} = 13.9^{\circ}\text{C}/\text{W}</math></p> <p><math>R_{44} = 45.2^{\circ}\text{C}/\text{W}</math></p>	<p><b>Figure 19: Power Derating Chart Based on High Effective Thermal Conductivity</b></p>  <p><b>NOTE:</b></p> <ul style="list-style-type: none"> <li>Input LED power dissipation is derated linearly above 105°C from 100 mW to 80 mW at 125°C.</li> <li>Output IC power dissipation is derated linearly above 105°C from 1000 mW to 600 mW at 125°C.</li> </ul>

## Notes on Thermal Calculation

Application and environmental design for ACFJ-3262 needs to ensure that the junction temperature of the internal ICs and LED within the gate driver optocoupler do not exceed 150°C. The following equations are for the purposes of calculating the maximum power dissipation and corresponding effect on junction temperatures. The thermal resistance model shown here is not meant to and will not predict the performance of a package in an application-specific environment; it can only be used as a reference for thermal performance comparison under the specified PCB layout as shown in [Table 1](#).

## Calculation of Input LED Power Dissipation, $P_1$ and $P_2$

Input LED Power Dissipation ( $P_1$ ) =  $I_{F(LED)}$  (Recommended Max.)  $\times V_{F(LED, 125^{\circ}\text{C})} \times \text{Duty Cycle}$

**Example:**

$$P_1 = 16 \text{ mA} \times 1.25\text{V} \times 50\% \text{ duty cycle} = 10 \text{ mW}$$

$$P_2 = P_1 = 10 \text{ mW}$$

## Calculation of Output IC Power Dissipation, $P_3$ and $P_4$

Output IC Power Dissipation ( $P_3$ ) =  $P_{O(Static)} + P_{HS} + P_{LS}$

Where:

- $P_{O(Static)}$ : Static power dissipated by the output IC
- $P_{HS}$ : High side switching power dissipation at  $V_{OH}$  pin
- $P_{LS}$ : Low side switching power dissipation at  $V_{OL}$  pin

- $Q_G$ : MOSFET/GaN gate charge at supply voltage
- $f_{PWM}$ : Input LED switching frequency
- $R_{DS,OH(MAX)}$ : Maximum high side output impedance
- $R_{GH}$ : Gate charging resistance
- $R_{DS,OL(MAX)}$ : Maximum low side output impedance
- $R_{GL}$ : Gate discharging resistance

**Example:**

If  $Q_G = 100 \text{ nC}$ ,  $f_{PWM} = 200 \text{ kHz}$ ,  $R_{DS,OH(MAX)} = 1.3\Omega$ ,  $R_{GH} = 2.2\Omega$ ,  $R_{DS,OL(MAX)} = 1.2\Omega$ ,  $R_{GL} = 2.2\Omega$ ,  $I_{DD(MAX)} = 4 \text{ mA}$

- $P_{HS} = (V_{DD} \times Q_G \times f_{PWM}) \times R_{DS,OH(MAX)} / (R_{DS,OH(MAX)} + R_{GH}) / 2$
- $P_{HS} = (15V \times 100 \text{ nC} \times 200 \text{ kHz}) \times 1.3\Omega / (1.3\Omega + 2.2\Omega) / 2 = 55.7 \text{ mW}$
- $P_{LS} = (V_{DD} \times Q_G \times f_{PWM}) \times R_{DS,OL(MAX)} / (R_{DS,OL(MAX)} + R_{GL}) / 2$
- $P_{LS} = (15V \times 100 \text{ nC} \times 200 \text{ kHz}) \times 1.2\Omega / (1.2\Omega + 2.2\Omega) / 2 = 52.9 \text{ mW}$
- $P_{O(Static)} = I_{DD(MAX)} \times V_{DD}$
- $P_{O(Static)} = 4 \text{ mA} \times 15V = 60 \text{ mW}$
- $P_3 = 60 \text{ mW} + 55.7 \text{ mW} + 52.9 \text{ mW} = 168.6 \text{ mW}$
- $P_3 = P_4 = 168.6 \text{ mW}$

## Calculation of Junction Temperature for High Effective Thermal Conductivity Board

**Example:**

Input LED1 Junction Temperature,  $T_1$

$$\begin{aligned}
 &= (R_{11} \times P_1 + R_{12} \times P_2 + R_{13} \times P_3 + R_{14} \times P_4) + T_A \\
 &= (193.9^\circ\text{C/W} \times 10 \text{ mW}) + (16.6^\circ\text{C/W} \times 10 \text{ mW}) + (12^\circ\text{C/W} \times 168.6 \text{ mW}) + (20.5^\circ\text{C/W} \times 168.6 \text{ mW}) + 125^\circ\text{C} \\
 &= 133^\circ\text{C} < T_{J(\text{absolute max})} \text{ of } 150^\circ\text{C}
 \end{aligned}$$

Input LED2 Junction Temperature,  $T_2$

$$\begin{aligned}
 &= (R_{21} \times P_1 + R_{22} \times P_2 + R_{23} \times P_3 + R_{24} \times P_4) + T_A \\
 &= (16.7^\circ\text{C/W} \times 10 \text{ mW}) + (204.9^\circ\text{C/W} \times 10 \text{ mW}) + (19.7^\circ\text{C/W} \times 169.2 \text{ mW}) + (12^\circ\text{C/W} \times 169.2 \text{ mW}) + 125^\circ\text{C} \\
 &= 133^\circ\text{C} < T_{J(\text{absolute max})} \text{ of } 150^\circ\text{C}
 \end{aligned}$$

Output IC2 Junction Temperature,  $T_3$

$$\begin{aligned}
 &= (R_{31} \times P_1 + R_{32} \times P_2 + R_{33} \times P_3 + R_{34} \times P_4) + T_A \\
 &= (16.7^\circ\text{C/W} \times 10 \text{ mW}) + (31^\circ\text{C/W} \times 10 \text{ mW}) + (42^\circ\text{C/W} \times 169.2 \text{ mW}) + (13.3^\circ\text{C/W} \times 169.2 \text{ mW}) + 125^\circ\text{C} \\
 &= 135^\circ\text{C} < T_{J(\text{absolute max})} \text{ of } 150^\circ\text{C}
 \end{aligned}$$

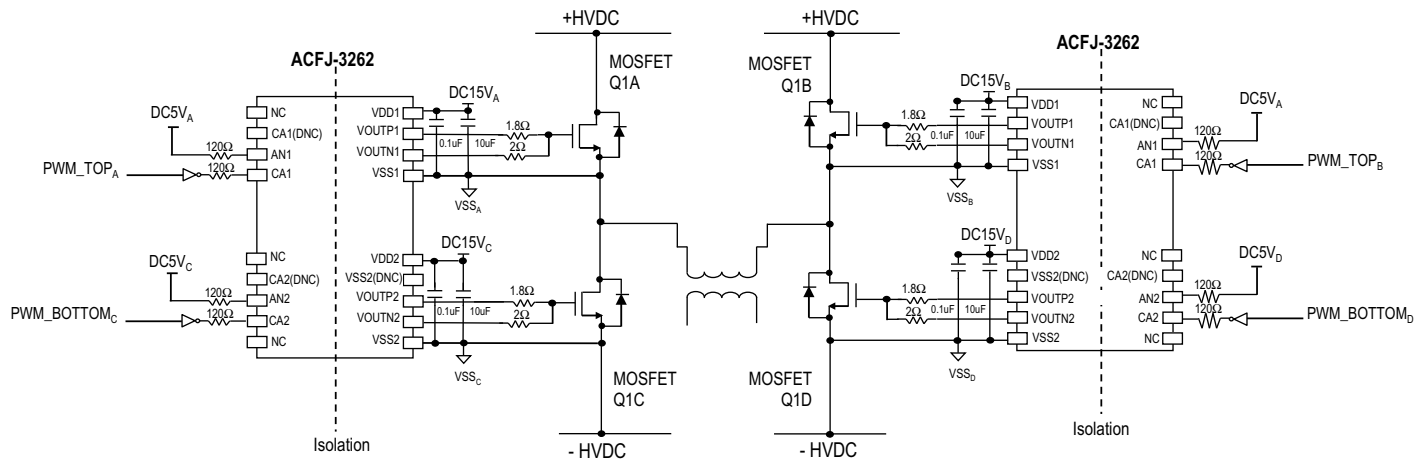
Output IC1 Junction Temperature,  $T_4$

$$\begin{aligned}
 &= (R_{41} \times P_1 + R_{42} \times P_2 + R_{43} \times P_3 + R_{44} \times P_4) + T_A \\
 &= (31.6^\circ\text{C/W} \times 10 \text{ mW}) + (17.5^\circ\text{C/W} \times 10 \text{ mW}) + (13.9^\circ\text{C/W} \times 169.2 \text{ mW}) + (45.2^\circ\text{C/W} \times 169.2 \text{ mW}) + 125^\circ\text{C} \\
 &= 135^\circ\text{C} < T_{J(\text{absolute max})} \text{ of } 150^\circ\text{C}
 \end{aligned}$$

**NOTE:** Junction temperature of  $T_1$ ,  $T_2$ ,  $T_3$ , and  $T_4$  must not exceed  $150^\circ\text{C}$  at any given ambient temperature  $T_A$ .

## Typical Application Circuit

Figure 20: ACFJ-3262 Typical Application Circuit



**NOTE:** Component value is subjected to change based on application conditions.

## Sizing the External Gate Resistor

The ACFJ-3262 has two separate source and sink outputs, which offers flexibility in tuning the turn-on and turn-off gate resistors for optimum MOSFET/GaN FET switching performance. Typically, when working on a new design, the gate resistor value can be selected based on the recommended values given in MOSFET/GaN data sheet under certain test conditions. However, it is also important to consider the gate driver capability during the design so that peak gate current is within the recommended ratings of the driver. If the ACFJ-3262 is used to drive MOSFET/GaN FET directly, the designer has to consider the power dissipation for both the gate driver and the external gate resistors.

### Example:

Given  $V_{DD} = 15V$ ,  $V_{SS} = \text{Ground } (0V)$ :

- Recommended  $I_{OH(PEAK)} = \text{Maximum } V_{OUTP} \text{ peak output sourcing current} = -6A$
- Recommended  $I_{OL(PEAK)} = \text{Minimum } V_{OUTN} \text{ peak output sourcing current} = 6A$
- Minimum gate turn-on resistor,  $R_{gon(min)} \geq (V_{DD} - V_{SS})/I_{OH(PEAK)} - R_{DS,OH(ON)} = 15V/6A - 0.8\Omega = 1.7\Omega$   
– Select  $R_{gon} = 1.8\Omega$  to start with.
- Minimum gate turn-off resistor,  $R_{goff(min)} \geq (V_{DD} - V_{SS})/I_{OL(PEAK)} - R_{DS,OL(ON)} = 15V/6A - 0.6\Omega = 1.9\Omega$   
– Select  $R_{goff} = 2\Omega$  to start with.

Power dissipation of gate resistors can be calculated as follows:

$$\text{Power dissipation in turn-on gate resistor, } P_{(R_{gon})} = \text{Average } I_{gate(on)}^2 \times R_{gon}$$

$$\text{Power dissipation in turn-off gate resistor, } P_{(R_{goff})} = \text{Average } I_{gate(off)}^2 \times R_{goff}$$

When the initial  $R_{gon}$  and  $R_{goff}$  values are selected, test the circuit with MOSFET/GaN under actual application conditions to check for switching losses, MOSFET/GaN voltage spike, and so on, to fine tune the gate resistor values.

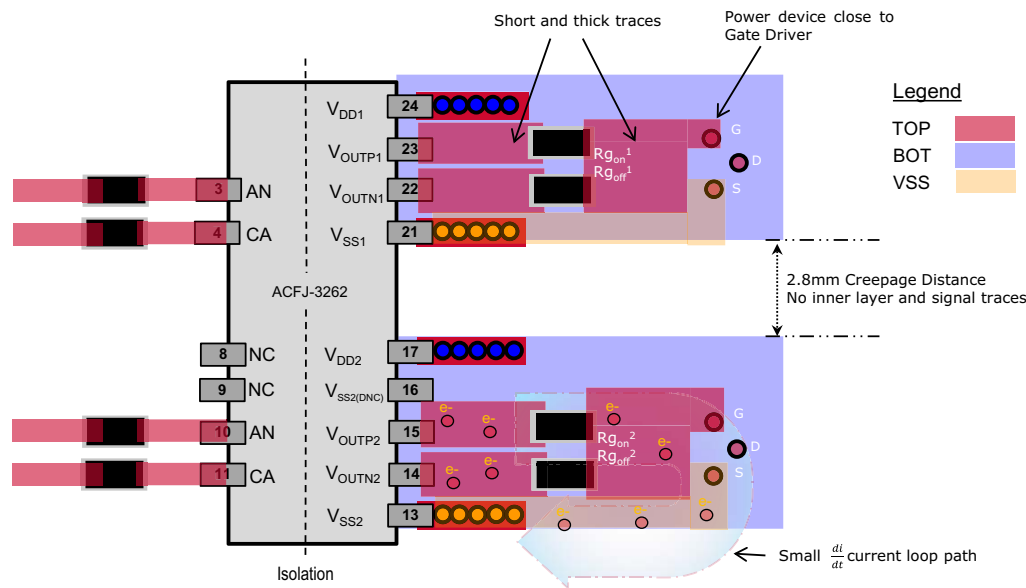
## Layout Guidelines

The gate driver's output sinks about 10A, which the return current path of minimum inductance must be implemented during printed circuit board layout design to alleviate the effect of ground bounce, as the excitation of parasitic elements in the PCB/gate driver become dominant.

The smallest loop between the outbound and return currents forms the least inductance. The gate driver should be placed close to the power devices (that is, MOSFET/GaN FET) with short and thick traces to minimize the parasitic inductance along the high current switching path.

Adequate spacing should always be maintained between the high voltages isolated circuitry and any input referenced circuitry. Minimum spacing between two adjacent high-side isolated channels (that is, top and bottom channels) must be maintained as well. Insufficient spacing will reduce the effective isolation and may increase parasitic coupling that will degrade part performance. [Figure 21](#) shows the recommended PCB layout guidelines.

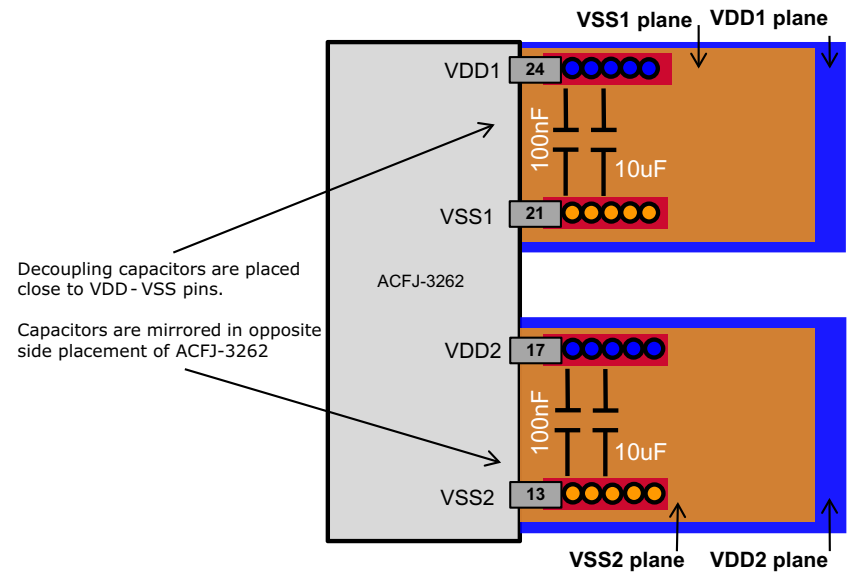
**Figure 21: PCB Layout Guidelines**



The placement and routing of supply bypass capacitors require special attention. During switching transients, the majority of gate charge is supplied by bypass capacitors. Maintaining short bypass capacitor trace lengths will ensure low supply ripple and clean switching waveforms. It is recommended to connect the bypass capacitors to the power plane and ground plane with multiple via holes. The planes can provide better heat dissipation and, at the same time, serve as a natural decoupling capacitor to the IC. [Figure 22](#) shows the bypass capacitors placement and PCB planes stack-up.



Figure 22: PCB Planes Stack-Up and Bypass Capacitors Placement



Copyright © 2022–2023 Broadcom. All Rights Reserved. The term “Broadcom” refers to Broadcom Inc. and/or its subsidiaries. For more information, go to [www.broadcom.com](http://www.broadcom.com). All trademarks, trade names, service marks, and logos referenced herein belong to their respective companies.

Broadcom reserves the right to make changes without further notice to any products or data herein to improve reliability, function, or design. Information furnished by Broadcom is believed to be accurate and reliable. However, Broadcom does not assume any liability arising out of the application or use of this information, nor the application or use of any product or circuit described herein, neither does it convey any license under its patent rights nor the rights of others.