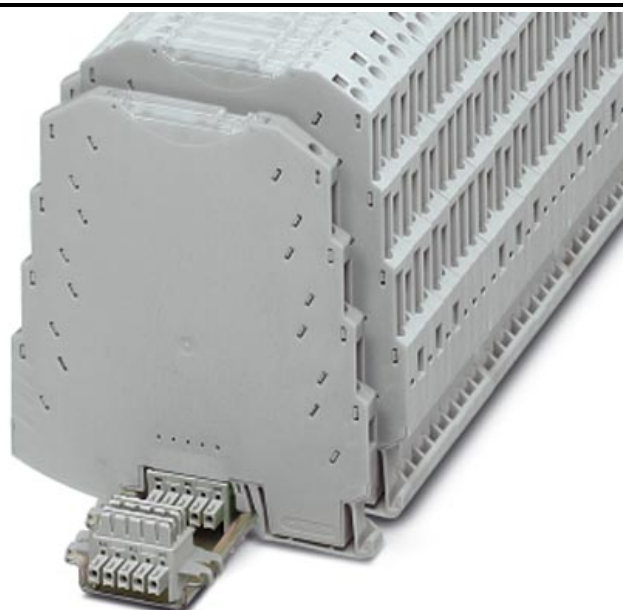


Please note that the data given here has been taken from the online catalog. For comprehensive information and data, please refer to the user documentation at <http://www.download.phoenixcontact.com>. The General Terms and Conditions of Use apply to Internet downloads.

► Extract from the online catalog



Extra slim electronic housing for DIN rail bus connector, pitch 6.2 mm, 4 connection levels, 8-pos. with spring-cage connection

Order No.	2869647
Ord designation	ME MAX 6,2 SP-TBUS 4-4 KMGY
EAN	4017918975142
Pack	10 Pcs.
Customs tariff	85369010
Weight/Piece	0,04309 KG
Catalog page information	Page 141 (NTK-2005)

► Product notes

WEEE/RoHS-compliant since: 04/01/2005



IMPORTANT : This date is valid for Customers in Germany only. Date Format is MM/DD/YYYY. Please contact your local in-country Phoenix Contact location or designated business partner for a Logistics Compliant date in your area. In order to guarantee delivery of RoHS-Compliant product, please purchase Phoenix Contact parts from authorized Phoenix Contact representatives and distributors.

► Technical data





Technical data

Connection in acc. with standard	CUL
Nominal voltage U_N	300 V
Nominal current I_N	8 A
AWG/kcmil	24-12
Indicator1	CUL1

► Certificates / Approvals

CUL

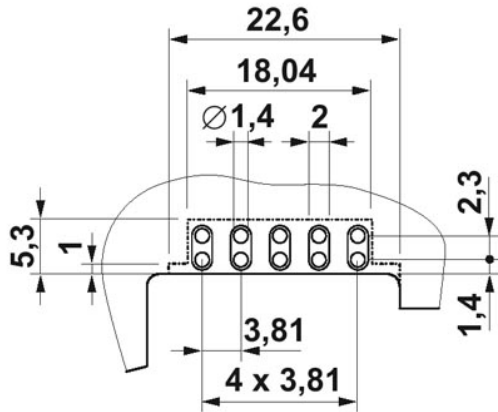
Nominal voltage U_N	300 V
Nominal current I_N	8 A
AWG/kcmil	24-12

UL

Nominal voltage U_N	300 V
Nominal current I_N	8 A
AWG/kcmil	24-12

▶ Drawings

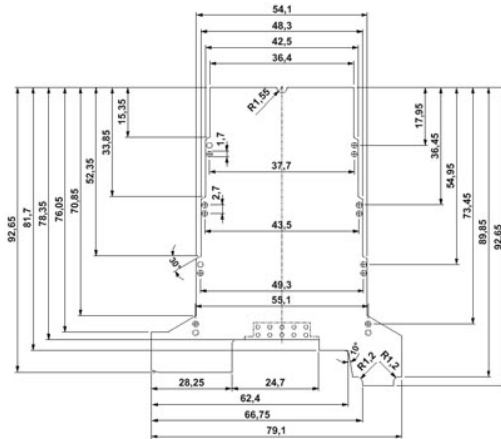
Dimensioned drawing



Detailed dimensional drawing of the DIN rail bus connector contact pads

We recommend gold plating for the five contact pads.

Note: PCB thickness $d = 0.5 - 0.95$ mm when used with DIN rail bus connectors ME 6,2 TBUS-2 1,5/5-3,81



Dimensional drawing of PCB ME MAX 6,2 T-BUS... for both connection types (SC + SP)
view: Component side

► Address

PHOENIX CONTACT GmbH & Co. KG
Flachsmarktstr. 8
32825 Blomberg
Germany
Phone +49 5235 3 00
Fax +49 5235 3 41200
<http://www.phoenixcontact.com>
Phoenix Contact
Technical modifications reserved;