

Please note that the data given here has been taken from the online catalog. For comprehensive information and data, please refer to the user documentation at <http://www.download.phoenixcontact.com>. The General Terms and Conditions of Use apply to Internet downloads.

▶ Extract from the online catalog



Housing base, with snap foot and test opening with side cover

Illustration shows a fully mounted version of the electronic housing

Order No.	2764153
Ord designation	EG 45-GP/ABS GN
EAN	4017918065867
Pack	10 Pcs.
Customs tariff	85369010
Weight/Piece	0,0546 KG
Catalog page information	Page 375 (CC-2005)

▶ Product notes

WEEE/RoHS-compliant since: 01/01/2003





IMPORTANT : This date is valid for Customers in Germany only. Date Format is MM/DD/YYYY. Please contact your local in-country Phoenix Contact location or designated business partner for a Logistics Compliant date in your area. In order to guarantee delivery of RoHS-Compliant product, please purchase Phoenix Contact parts from authorized Phoenix Contact representatives and distributors.

► Technical data

General

Housing type	Component housing
Housing material	Acryl butadiene styrene (ABS)
Color	green

Dimensions / positions

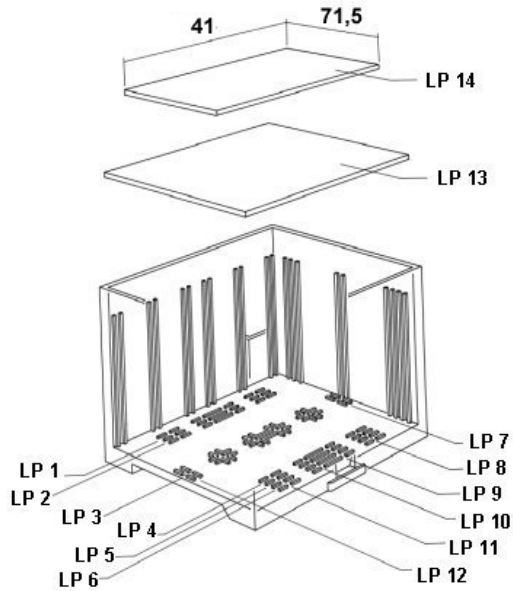
Length	75 mm
Width	45 mm
Number of positions	16

Technical data

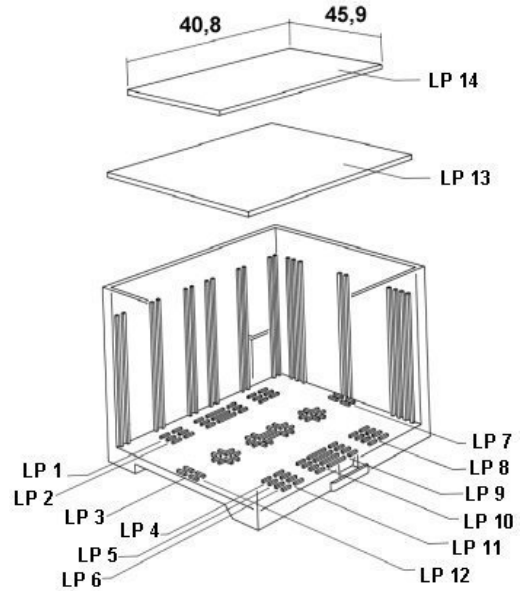
Ambient temperature (operation)	-40 °C ... 80 °C
Inflammability class acc. to UL 94	HB

► Drawings

Explosion drawing

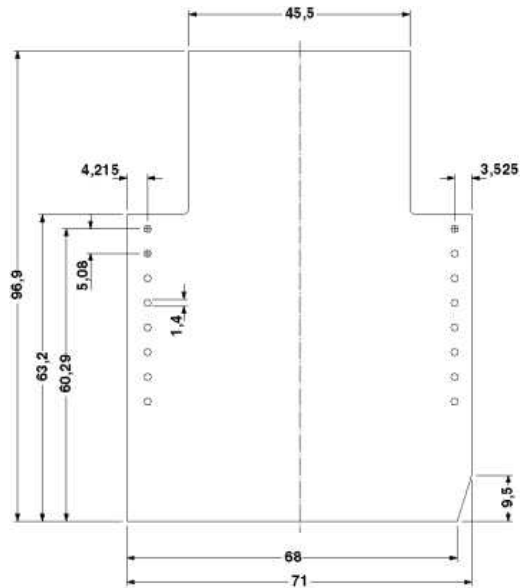
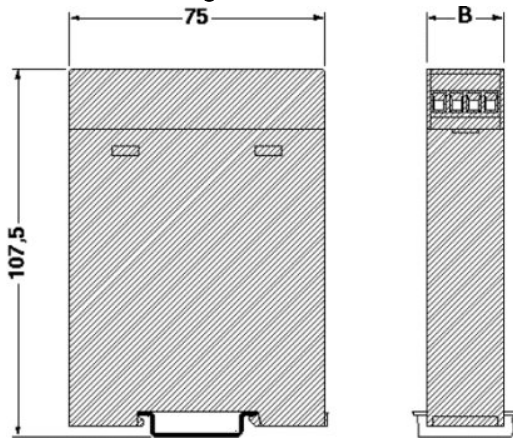


valid for PCB 13

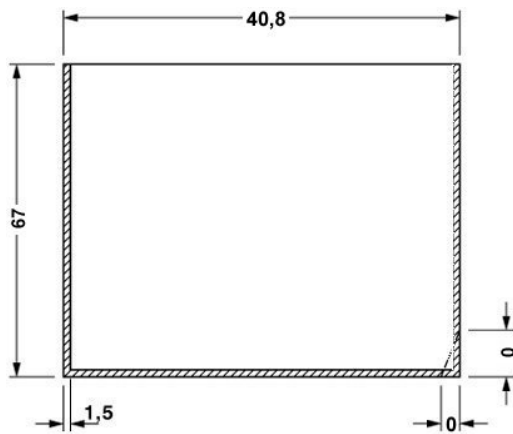


valid for PCB 14

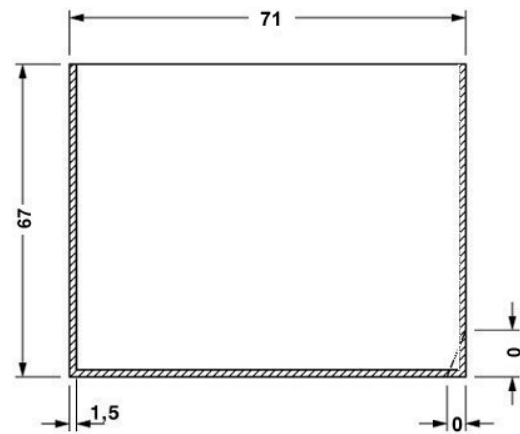
Dimensioned drawing



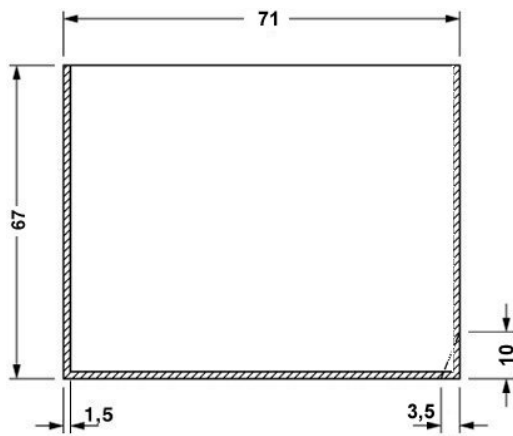
Component mounting side, if the double-level upper part is used



valid for PCB 1; 3; 5 and 6, see explosion drawing



valid for PCB 7 and 12, see explosion drawing



valid for PCB 10, see explosion drawing

► Accessories

Item	Designation	Description
Assembly		
1909278	FKCT 2,5/ 8-ST	Plug component, nominal current: 12 A, rated voltage: 250 V, pitch: 5.0 mm, no. of positions: 8, type of connection: Spring-cage connection
General		
1902178	FKCT 2,5/ 8-ST-5,08	Plug component, nominal current: 12 A, rated voltage: 250 V, pitch: 5.08 mm, no. of positions: 8, type of connection: Spring-cage connection
1721045	MKKDSH 3/ 2	Printed circuit terminal block, nominal current: 24 A, rated voltage: 250 V, pitch: 5.0 mm, no. of positions: 2, mounting: Soldering, type of connection: Screw connection, connection direction from the conductor to the PCB: 0°
1721346	MKKDSH 3/ 3	Printed circuit terminal block, nominal current: 24 A, rated voltage: 250 V, pitch: 5.0 mm, no. of positions: 3, mounting: Soldering, type of connection: Screw connection, connection direction from the conductor to the PCB: 0°
1703283	MKKDSH 3/ 8	Printed circuit termination blocks, pitch 5, for soldering onto the printed circuit board, 8-pos.
1850495	MSTBO 2,5/ 8-GL-5,08	Header, nominal current: 8 A, rated voltage: 250 V, pitch: 5.08 mm, no. of positions: 8, mounting: Soldering
1847165	MSTBO 2,5/ 8-GR-5,08	Header, nominal current: 8 A, rated voltage: 250 V, pitch: 5.08 mm, no. of positions: 8, mounting: Soldering
1753550	MSTBV 2,5/ 8-G	Header, nominal current: 12 A, rated voltage: 250 V, pitch: 5.0 mm, no. of positions: 8, mounting: Soldering
1792582	MVSTBW 2,5/ 8-ST	Plug component, nominal current: 12 A, rated voltage: 250 V, pitch: 5.0 mm, no. of positions: 8, type of connection: Screw connection
1792812	MVSTBW 2,5/ 8-ST-5,08	Plug component, nominal current: 12 A, rated voltage: 250 V, pitch: 5.08 mm, no. of positions: 8, type of connection: Screw connection
Plug/Adapter		
1734634	CP-MSTB	Coding section, is inserted into the slot on the plug or inverted header, red insulating material
1734401	CR-MSTB	Coding element, inserted into the recess in the header or the inverted plug, red insulating material
1784309	MVSTBW 2,5/ 8-STEH	Plug with release aid, nominal current: 12 A, rated voltage: 250 V, pitch: 5,0 mm, no. of positions: 8, type of connection: Screw connection

► Additional products

Item	Designation	Description
General		
2764179	EG 45-A/ABS GN	Housing cover,for connection on both sides
2764409	EG 45-AE/ABS GN	Housing cover, for connection on one side
2907363	EG 45-AG/ABS GN	Housing cover, closed

► Address

PHOENIX CONTACT GmbH & Co. KG
Flachsmarktstr. 8
32825 Blomberg
Germany
Phone +49 5235 3 00
Fax +49 5235 3 41200
<http://www.phoenixcontact.com>
Phoenix Contact
Technical modifications reserved;