

Please note that the data given here has been taken from the online catalog. For comprehensive information and data, please refer to the user documentation at <http://www.download.phoenixcontact.com>. The General Terms and Conditions of Use apply to Internet downloads.

## ▶ Extract from the online catalog



Housing cover, for connection on one side

Illustration shows a fully mounted version of the electronic housing

Order No.	2764409
Ord designation	EG 45-AE/ABS GN
EAN	4017918065997
Pack	10 Pcs.
Customs tariff	85369010
Weight/Piece	0,01297 KG
Catalog page information	Page 375 (CC-2005)

## ▶ Product notes

WEEE/RoHS-compliant since: 01/01/2003



**IMPORTANT :** This date is valid for Customers in Germany only. Date Format is MM/DD/YYYY. Please contact your local in-country Phoenix Contact location or designated business partner for a Logistics Compliant date in your area. In order to guarantee delivery of RoHS-Compliant product, please purchase Phoenix Contact parts from authorized Phoenix Contact representatives and distributors.

## ► Technical data

---

### General

Housing material	Acryl butadiene styrene (ABS)
Color	green

---

### Dimensions / positions

Length	75 mm
Constructional height	17.5 mm
Width	45 mm
Number of positions	8

---

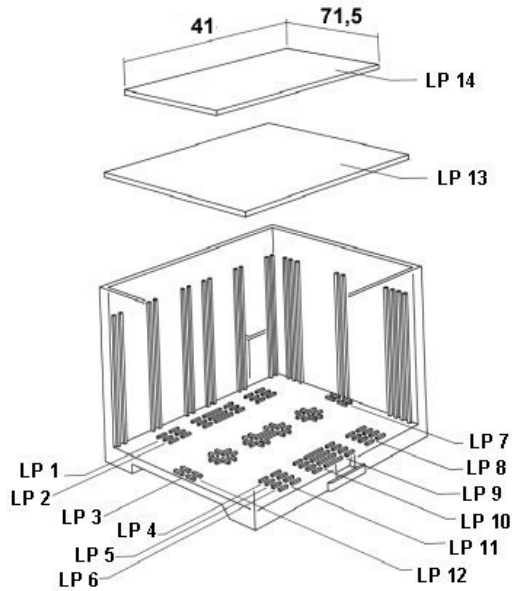
### Technical data

Ambient temperature (operation)	80 °C
Inflammability class acc. to UL 94	HB

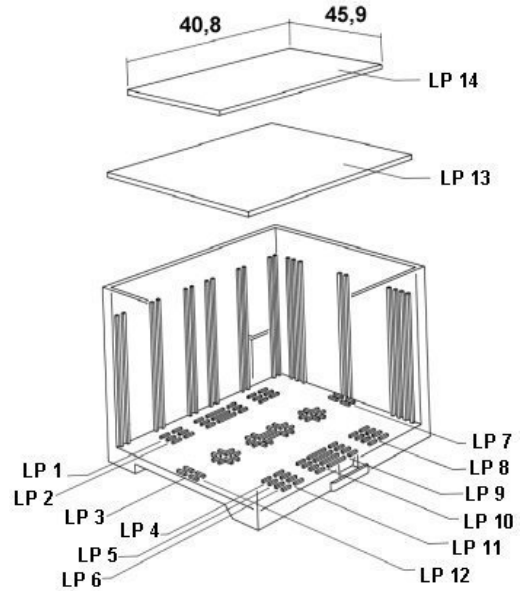
---

► Drawings

Explosion drawing

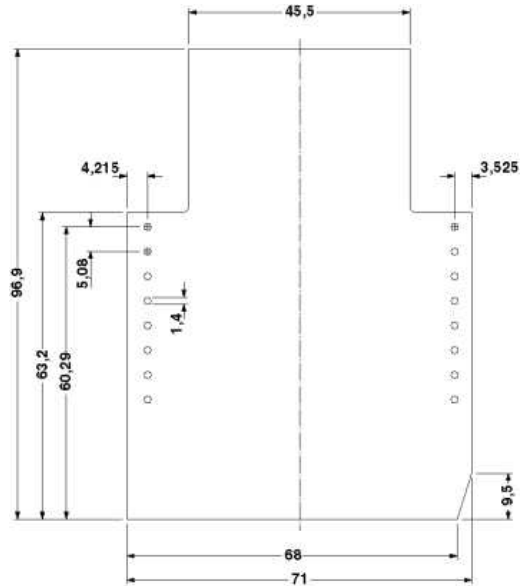
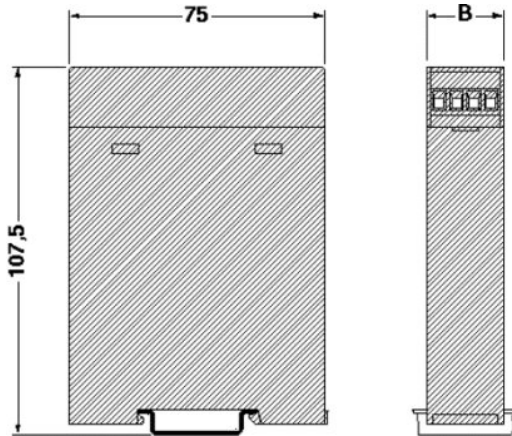


valid for PCB 13

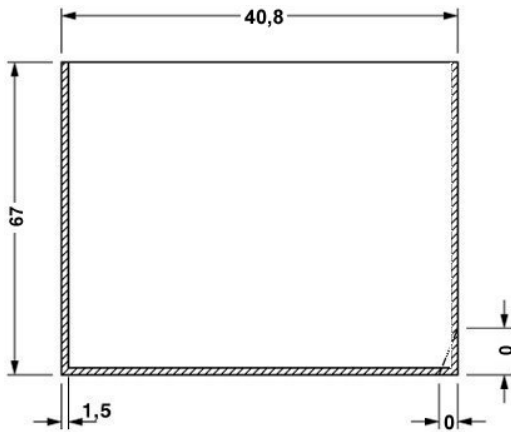


valid for PCB 14

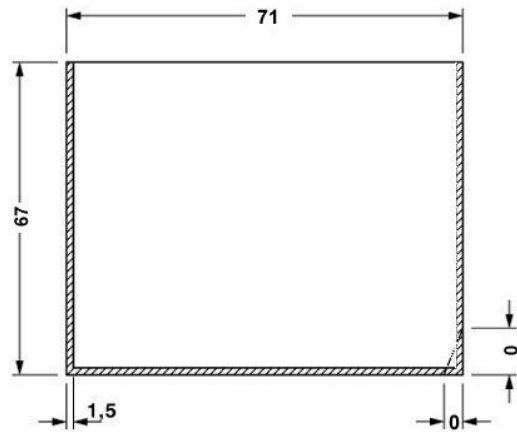
Dimensioned drawing



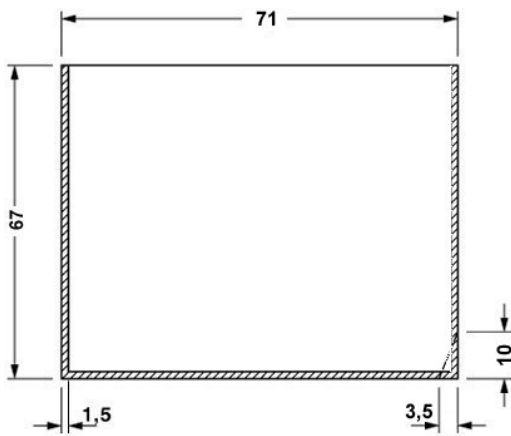
Component mounting side, if the double-level upper part is used



valid for PCB 1; 3; 5 and 6, see explosion drawing



valid for PCB 7 and 12, see explosion drawing



valid for PCB 10, see explosion drawing



---

## ► Address

---

PHOENIX CONTACT GmbH & Co. KG  
Flachsmarktstr. 8  
32825 Blomberg  
Germany  
Phone +49 5235 3 00  
Fax +49 5235 3 41200  
<http://www.phoenixcontact.com>  
Phoenix Contact  
Technical modifications reserved;