



Terminals & Splices > Contacts > Connector Contacts



Contact Type: **Socket**

Contact Mating Area Plating Material: **Gold**

Operating Voltage: **100 VAC**

Compatible With Wire & Cable Type: **Discrete Wire**

Wire Size: **32 – 28 AWG**

## Features

### Configuration Features

Compatible With Wire & Cable Type	Discrete Wire
-----------------------------------	---------------

### Electrical Characteristics

Operating Voltage	100 VAC
-------------------	---------

### Contact Features

Mating Tab Width	.74 mm[.029 in]
Mating Tab Thickness	.3 mm[.012 in]
Contact Type	Socket
Contact Mating Area Plating Material	Gold
Contact Base Material	Phosphor Bronze
Contact Current Rating (Max)	1 A

### Termination Features

Termination Method to Wire & Cable	Crimp
Product Terminates To	Wire & Cable

### Dimensions

Wire Size	.03 – .08 mm <sup>2</sup>
-----------	---------------------------

### Usage Conditions

Operating Temperature Range	-40 – 105 °C[-40 – 221 °F]
-----------------------------	----------------------------

### Operation/Application

Circuit Application	Signal
---------------------	--------

### Packaging Features

Packaging Quantity	20000
--------------------	-------

Packaging Method	Reel
------------------	------

### Product Compliance

[For compliance documentation, visit the product page on TE.com>](#)

EU RoHS Directive 2011/65/EU	Compliant
EU ELV Directive 2000/53/EC	Compliant
China RoHS 2 Directive MIIT Order No 32, 2016	No Restricted Materials Above Threshold
EU REACH Regulation (EC) No. 1907/2006	Current ECHA Candidate List: JUNE 2023 (235) Candidate List Declared Against: JUNE 2023 (235) Does not contain REACH SVHC
Halogen Content	Low Halogen - Br, Cl, F, I < 900 ppm per homogenous material. Also BFR/CFR/PVC Free
Solder Process Capability	Not applicable for solder process capability

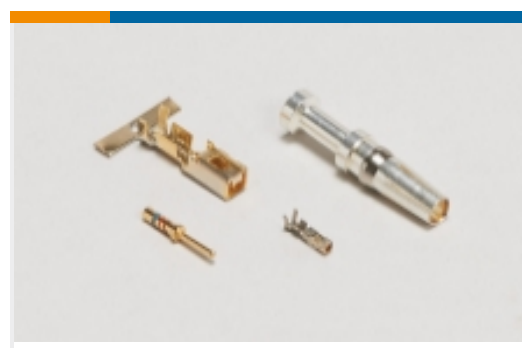
#### Product Compliance Disclaimer

This information is provided based on reasonable inquiry of our suppliers and represents our current actual knowledge based on the information they provided. This information is subject to change. The part numbers that TE has identified as EU RoHS compliant have a maximum concentration of 0.1% by weight in homogenous materials for lead, hexavalent chromium, mercury, PBB, PBDE, DBP, BBP, DEHP, DIBP, and 0.01% for cadmium, or qualify for an exemption to these limits as defined in the Annexes of Directive 2011/65/EU (RoHS2). Finished electrical and electronic equipment products will be CE marked as required by Directive 2011/65/EU. Components may not be CE marked. Additionally, the part numbers that TE has identified as EU ELV compliant have a maximum concentration of 0.1% by weight in homogenous materials for lead, hexavalent chromium, and mercury, and 0.01% for cadmium, or qualify for an exemption to these limits as defined in the Annexes of Directive 2000/53/EC (ELV). Regarding the REACH Regulation, the information TE provides on SVHC in articles for this part number is based on the latest European Chemicals Agency (ECHA) 'Guidance on requirements for substances in articles' posted at this URL: <https://echa.europa.eu/guidance-documents/guidance-on-reach>

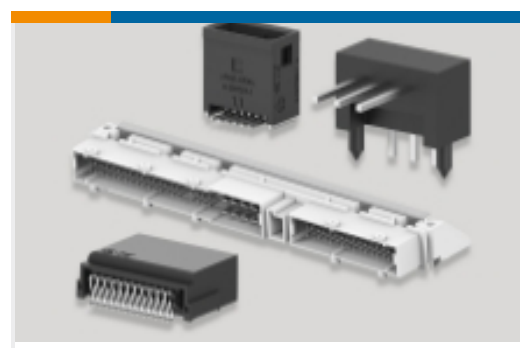
### Compatible Parts



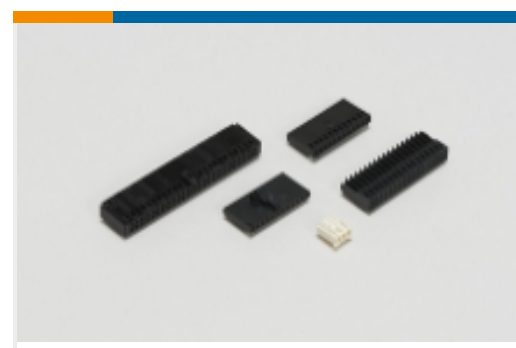
Also in the Series | MIS



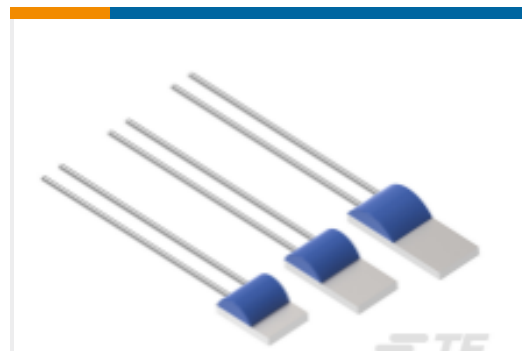
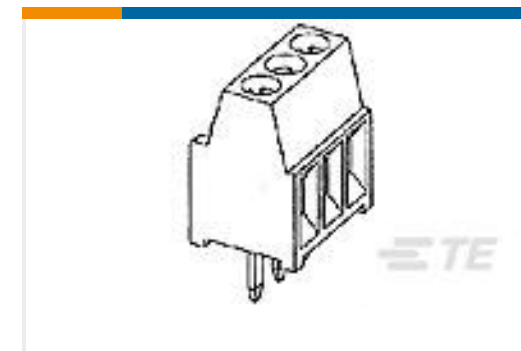
Connector Contacts(1)



PCB Headers &amp; Receptacles(23)

Wire-to-Board Connector Assemblies  
& Housings(11)

## Customers Also Bought

TE Part #NB-PTCO-192  
Pt1000 RTD Thin Film ElementTE Part #170204-4  
170262-4 LP E1CRIMP SNAP INTE Part #2-1437565-9  
FSM2J5MAATR=TACTILE 260G  
FORCETE Part #282834-5  
TERMI-BLOK PCB MOUNT, 90 5P.TE Part #2-2176341-5  
CRGCQ 0805 1K0 1%TE Part #2141466-3  
4POS,NANOMQS,REC HSG,SLD,COD  
CTE Part #531230-2  
SHUNT, .200 C/L,LP,2 POS, 15AUTE Part #382811-6  
SHUNT, ECON, PHBR 15 AU,BLACKTE Part #440146-9  
1.25mm WTB Socket,Housing,9p

## Documents

### Product Drawings

1.0 WTB Terminal 30u" Au

English

### CAD Files

Customer View Model

[ENG\\_CVM\\_CVM\\_440147-2\\_C.2d\\_dxf.zip](#)

English

[3D PDF](#)



3D

Customer View Model

[ENG\\_CVM\\_CVM\\_440147-2\\_C.3d\\_igs.zip](#)

English

Customer View Model

[ENG\\_CVM\\_CVM\\_440147-2\\_C.3d\\_stp.zip](#)

English

By downloading the CAD file I accept and agree to the [Terms and Conditions](#) of use.

---

## Datasheets & Catalog Pages

[HPI Connectors QRG](#)

English

---

## Product Specifications

[Application Specification](#)

English