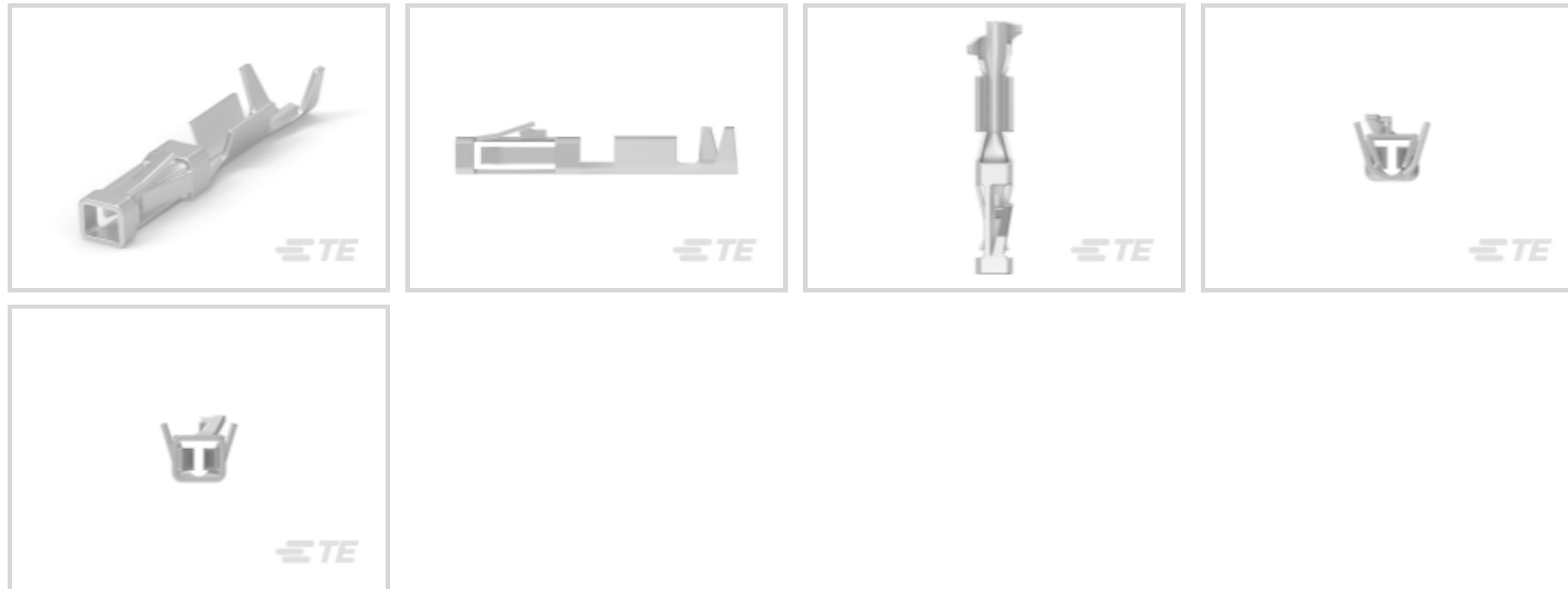




Terminals & Splices > Contacts > Connector Contacts



Contact Type: **Socket**

Contact Mating Area Plating Material: **Tin-Lead**

Wire Contact Termination Area Plating Material: **Tin-Lead over Nickel**

Operating Voltage: **300 VAC**

Compatible With Wire & Cable Type: **Discrete Wire**

## Features

### Product Type Features

Applied Pressure	Standard
------------------	----------

### Configuration Features

Compatible With Wire & Cable Type	Discrete Wire
-----------------------------------	---------------

### Electrical Characteristics

Termination Resistance	12 mΩ
Insulation Resistance	5000 MΩ
Dielectric Withstanding Voltage (Max)	750 V
Operating Voltage	300 VAC

### Contact Features

Mating Square Post Dimension	.64 mm[.025 in]
Contact Type	Socket
Contact Mating Area Plating Material	Tin-Lead
Wire Contact Termination Area Plating Material	Tin-Lead over Nickel
Contact Base Material	Copper Alloy



Contact Current Rating (Max)	3 A
------------------------------	-----

### Termination Features

Termination Method to Wire & Cable	Crimp
Product Terminates To	Wire & Cable

### Mechanical Attachment

Wire Insulation Support	With
-------------------------	------

### Dimensions

Compatible Insulation Diameter Range	.64 – 1.52 mm [.025 – .06 in]
Wire Size	236.823 – 789.41 CMA

### Usage Conditions

Operating Temperature Range	-65 – 105 °C [-85 – 221 °F]
-----------------------------	-----------------------------

### Operation/Application

Circuit Application	Power & Signal
---------------------	----------------

### Industry Standards

Compatible With Approved Standards Products	CSA LR7189, UL E28476
---	-----------------------

### Packaging Features

Packaging Quantity	15000
Packaging Method	Reel

### Product Compliance

[For compliance documentation, visit the product page on TE.com>](#)

EU RoHS Directive 2011/65/EU	Not Compliant
EU ELV Directive 2000/53/EC	Compliant with Exemptions
China RoHS 2 Directive MIIT Order No 32, 2016	Restricted Materials Above Threshold
EU REACH Regulation (EC) No. 1907/2006	Current ECHA Candidate List: JUNE 2023 (235) Candidate List Declared Against: JUNE 2023 (235) SVHC > Threshold: Pb (13% in Component Part) <b>Article Safe Usage Statements:</b> Do not eat, drink or smoke when using this product. Wash thoroughly after handling. Recycle if possible and dispose of the article by following all applicable governmental regulations relevant to your geographic location.
Halogen Content	Low Halogen - Br, Cl, F, I < 900 ppm per homogenous material. Also BFR/CFR/PVC Free

Solder Process Capability

Not applicable for solder process capability

Product Compliance Disclaimer

This information is provided based on reasonable inquiry of our suppliers and represents our current actual knowledge based on the information they provided. This information is subject to change. The part numbers that TE has identified as EU RoHS compliant have a maximum concentration of 0.1% by weight in homogenous materials for lead, hexavalent chromium, mercury, PBB, PBDE, DBP, BBP, DEHP, DIBP, and 0.01% for cadmium, or qualify for an exemption to these limits as defined in the Annexes of Directive 2011/65/EU (RoHS2). Finished electrical and electronic equipment products will be CE marked as required by Directive 2011/65/EU. Components may not be CE marked. Additionally, the part numbers that TE has identified as EU ELV compliant have a maximum concentration of 0.1% by weight in homogenous materials for lead, hexavalent chromium, and mercury, and 0.01% for cadmium, or qualify for an exemption to these limits as defined in the Annexes of Directive 2000/53/EC (ELV). Regarding the REACH Regulation, the information TE provides on SVHC in articles for this part number is based on the latest European Chemicals Agency (ECHA) 'Guidance on requirements for substances in articles' posted at this URL: <https://echa.europa.eu/guidance-documents/guidance-on-reach>

## Compatible Parts



TE Part # 91518-1  
CCII AMPMODU SHORT POINT REC  
32-22 ASSY



TE Part # 843477-1  
TOOL, EXTRACTION RESET



TE Part # 1-104482-8  
40 SHORT PT RCPT HSG DR .100CL



TE Part # 104483-4  
26 SHORT PT RCPT HSG DR .100CL



TE Part # 104482-3  
08 SHORT PT RCPT HSG DR .100CL



TE Part # 104482-4  
10 SHORT PT RCPT HSG DR .100CL



TE Part # 1-104482-1  
26 SHORT PT RCPT HSG DR .100CL



TE Part # 1-104482-3  
30 SHORT PT RCPT HSG DR .100CL



TE Part # 1-104482-4  
32 SHORT PT RCPT HSG DR .100CL



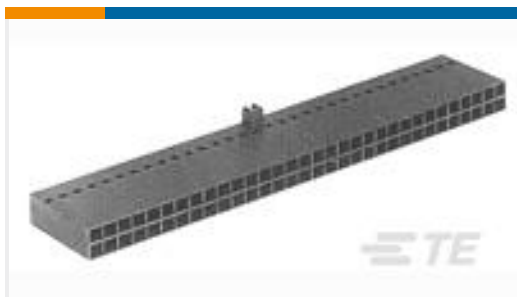
TE Part # 104482-1  
04 SHORT PT RCPT HSG DR .100CL



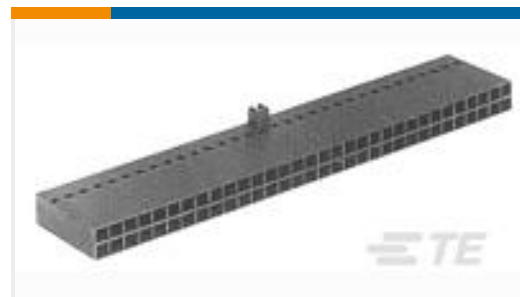
TE Part # 104482-6  
14 SHORT PT RCPT HSG DR .100CL



TE Part # 104482-7  
16 SHORT PT RCPT HSG DR .100CL



TE Part # 104483-1  
08 SHORT PT RCPT HSG DR .100CL



TE Part # 104483-8  
64 SHORT PT RCPT HSG DR .100CL



TE Part # 104483-9  
14 SHORT PT RCPT HSG DR .100CL



TE Part # 104482-2  
06 SHORT PT RCPT HSG DR .100CL



TE Part # 104482-5  
12 SHORT PT RCPT HSG DR .100CL



TE Part # 1-104482-6  
36 SHORT PT RCPT HSG DR .100CL



TE Part # 104483-2  
18 SHORT PT RCPT HSG DR .100CL

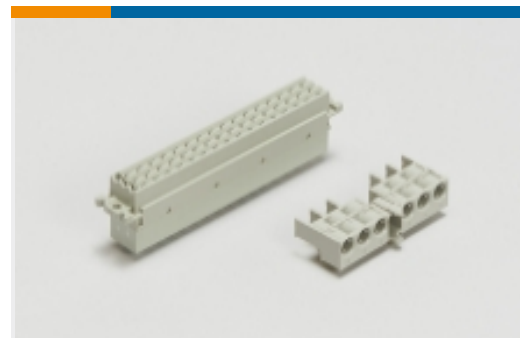


TE Part # 2-104482-0  
52 SHORT PT RCPT HSG DR .100CL

## Also in the Series | AMPMODU IV/V



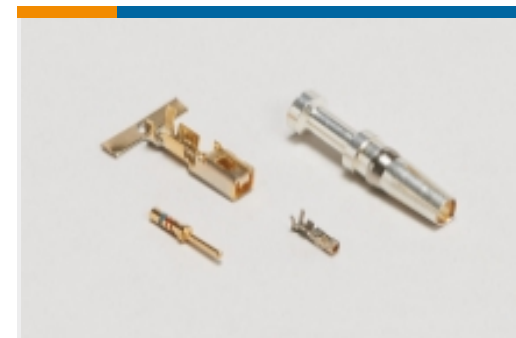
Automotive Housings(1)



Backplane Connector Housings(1)



Connector Caps & Covers(18)



Connector Contacts(322)



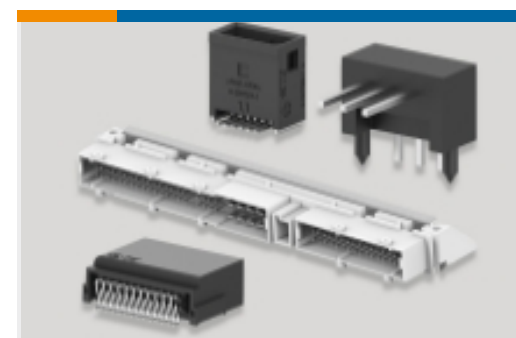
Connector Hardware(14)



Connector Strain Relief(3)



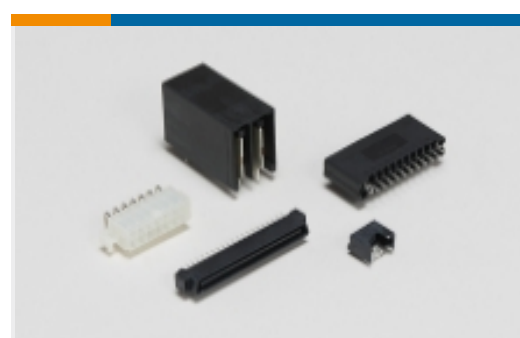
Insertion & Extraction Tools(4)



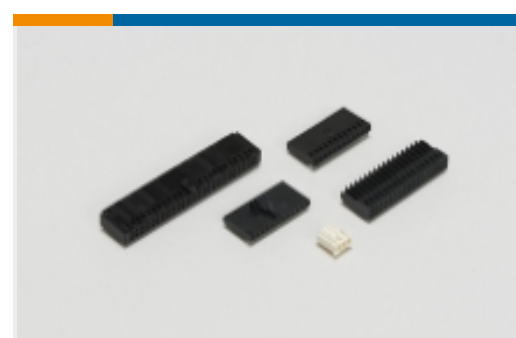
PCB Headers & Receptacles(931)



Rectangular Connector Housings(5)

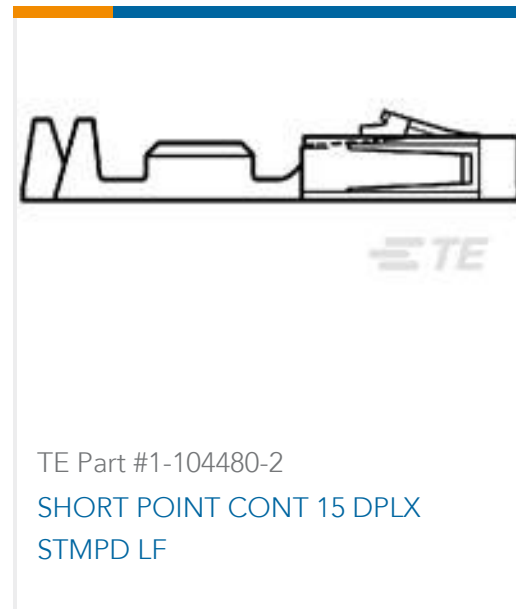
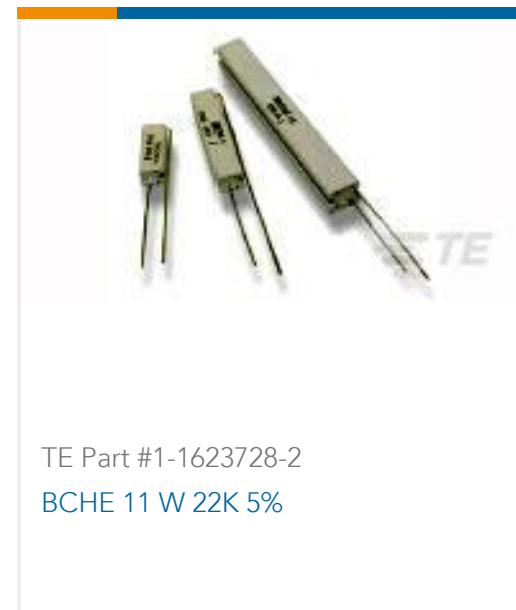
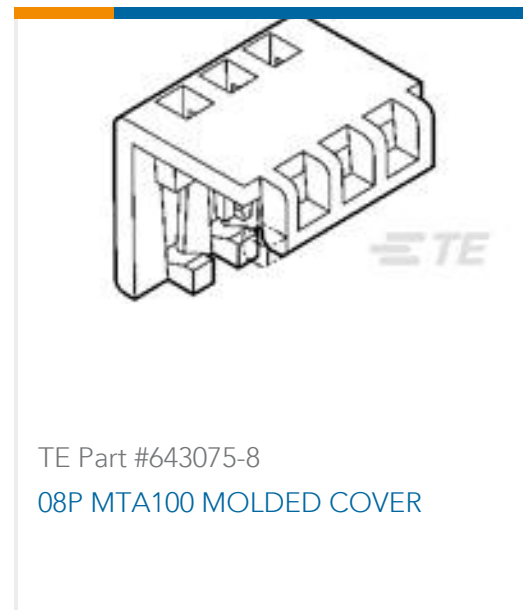


Standard Rectangular Connectors(8)



Wire-to-Board Connector Assemblies & Housings(445)

## Customers Also Bought



## Documents

### Product Drawings

[SHORT POINT CONT PLTD SN-PB](#)

English

### CAD Files

[3D PDF](#)

English

**Customer View Model**

[ENG\\_CVM\\_104480-2\\_S.3d\\_igs.zip](#)

English

**Customer View Model**

[ENG\\_CVM\\_104480-2\\_S.3d\\_stp.zip](#)

English

**Customer View Model**

[ENG\\_CVM\\_104480-2\\_S.2d\\_dxf.zip](#)

English

By downloading the CAD file I accept and agree to the [Terms and Conditions](#) of use.

### Product Specifications



### Application Specification

English

---

### Product Environmental Compliance

#### Product Compliance

English

#### Product Compliance

English