

# Connector Housing Plug and Socket

**multicomp** PRO

**RoHS  
Compliant**



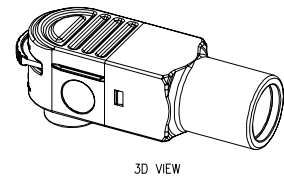
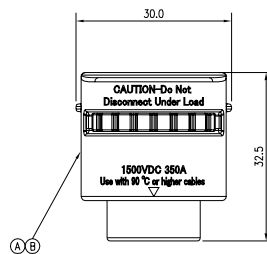
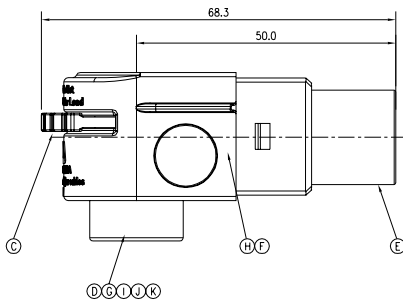
## Specification

Waterproof degree of Protection : IP67 (Optional)  
IP67 Immersed in 1M water for 30 Minutes

## Electrical Characteristics

Rated Current : 350A  
Rated Voltage : 1500V DC  
Operating Temperature : -40°C to +125°C

## Diagram



No.	Description	Qty.	Material	Plating & Color
A	Shell	1	PA66+GF	Red
B	Lever			Orange
C	Key			
D	End Cap			
E	Tail Cap			
F	Seal Body		Silicon	Black
G	Seal Ring			White
H	Storage Nose		Brass	Silver Plating
I	Sleeve			
J	Gridding			
K	Pillar	High Conductivity Copper		
		PA66+GF	Black	

## Part Number Table

Description	Part Number
Connector Housing For Plug, Right Angle, Red, 10mm, 350A	MP013679

Dimensions : Millimetres

**Important Notice** : This data sheet and its contents (the "Information") belong to the members of the AVNET group of companies (the "Group") or are licensed to it. No licence is granted for the use of it other than for information purposes in connection with the products to which it relates. No licence of any intellectual property rights is granted. The Information is subject to change without notice and replaces all data sheets previously supplied. The Information supplied is believed to be accurate but the Group assumes no responsibility for its accuracy or completeness, any error in or omission from it or for any use made of it. Users of this data sheet should check for themselves the Information and the suitability of the products for their purpose and not make any assumptions based on information included or omitted. Liability for loss or damage resulting from any reliance on the Information or use of it (including liability resulting from negligence or where the Group was aware of the possibility of such loss or damage arising) is excluded. This will not operate to limit or restrict the Group's liability for death or personal injury resulting from its negligence. Multicomp Pro is the registered trademark of Premier Farnell Limited 2019.

Newark.com/multicomp-pro  
Farnell.com/multicomp-pro  
sg.element14.com/b/multicomp-pro

**multicomp** PRO