



### DESCRIPTION

The MPQ4323 is a frequency-configurable (350kHz to 2.5MHz), synchronous, step-down switching regulator with integrated internal high-side and low-side power MOSFETs. The device provides 3A of highly efficient output current with peak current mode control.

The wide 3.3V to 36V input voltage range and 42V load dump tolerance accommodates a variety of step-down applications in automotive input environments. A 1 $\mu$ A shutdown current ( $I_{SD}$ ) allows the device to be used in battery-powered applications.

High power conversion efficiency across a wide load range is achieved by scaling down the switching frequency under light-load conditions to reduce the switching and gate driving losses.

An open drain power good signal indicates that the output is within 94.5% to 105.5% of its nominal voltage.

Frequency foldback helps prevent inductor current runaway during start-up. Thermal shutdown provides reliable, fault-tolerant operation.

A high duty cycle and low-dropout mode are provided for automotive cold-crank conditions.

The MPQ4323 is available in QFN-12 (2mmx3mm) and QFN-12 (3mmx4mm) packages.

### FEATURES

- Designed for Automotive Applications:
  - Survives 42V Load Dump
  - Supports 3.1V Cold Crank
  - 3A Continuous Output Current
  - Wide 3V to 36V Operating  $V_{IN}$  Range
  - -40°C to +150°C Operating Junction Temperature Range
- Increases Battery Life:
  - 1 $\mu$ A Shutdown Current ( $I_{SD}$ )
  - 20 $\mu$ A Sleep Mode Quiescent Current
  - Advanced Asynchronous Modulation (AAM) Mode Increases Efficiency under Light Loads
- High Performance for Improved Thermals:
  - Integrated 70m $\Omega$  High-Side and 50m $\Omega$  Low-Side MOSFETs
  - 65ns Minimum On Time and 50ns Minimum Off Time
- Optimized for EMC/EMI Reduction:
  - Frequency Spread Spectrum (FSS) Modulation
  - Symmetric VIN Pinout
  - CISPR25 Class 5 Compliant
  - 350kHz to 2.5MHz Configurable Switching Frequency ( $f_{sw}$ )
  - MeshConnect™ Flip-Chip Package
- Additional Features:
  - Power Good (PG) Output
  - Low-Dropout (LDO) Mode
  - Over-Current Protection (OCP) with Hiccup Mode
  - Available in a QFN-12 (2mmx3mm) Package or a QFN-12 (3mmx4mm) Package
  - Available in a Wettable Flank Package
  - Available in AEC-Q100 Grade 1

### APPLICATIONS

- Automotive Infotainment Systems
- Automotive Clusters
- Advanced Driver Assistance Systems
- Industrial Power Systems

All MPS parts are lead-free, halogen-free, and adhere to the RoHS directive. For MPS green status, please visit the MPS website under Quality Assurance. "MPS", the MPS logo, and "Simple, Easy Solutions" are trademarks of Monolithic Power Systems, Inc. or its subsidiaries.

## TYPICAL APPLICATION

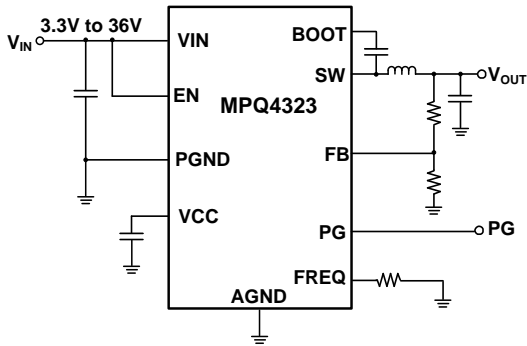


Figure 1: Typical Application (Adjustable Output)

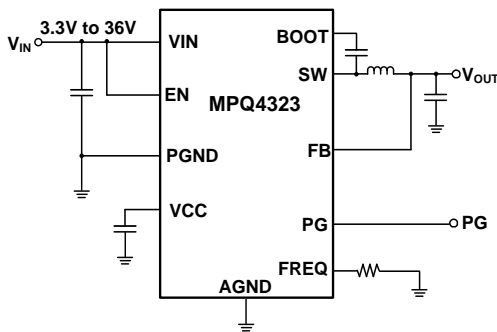
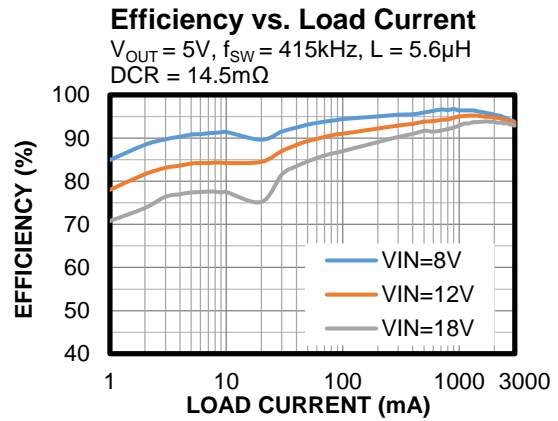


Figure 2: Typical Application (Fixed Output)

## ORDERING INFORMATION

Part Number <sup>(1)*</sup>	Package	Top Marking	MSL Rating**
MPQ4323GDE-AEC1***	QFN-12 (2mmx3mm)	See Below	1
MPQ4323GDE-33-AEC1***	QFN-12 (2mmx3mm)	See Below	1
MPQ4323GDE-38-AEC1***	QFN-12 (2mmx3mm)	See Below	1
MPQ4323GLE-AEC1***	QFN-12 (3mmx4mm)	See Below	1

\* For Tape & Reel, add suffix -Z (e.g. MPQ4323GDE-AEC1-Z).

\*\*Moisture Sensitivity Level Rating

\*\*\*Wettable flank

**Note:**

1) Contact MPS for the details regarding fixed-output versions.

## TOP MARKING

(MPQ4323GDE-AEC1, MPQ4323GDE-33-AEC1, and MPQ4323GDE-38-AEC1)

—  
**BPN**

**YWW**

**LLLL**

BPN: Production code

Y: Year code

WW: Week code

LLLL: Lot number

## TOP MARKING (MPQ4323GLE-AEC1)

**MPYW**

**4323**

**LLL**

**E**

MP: MPS prefix

Y: Year code

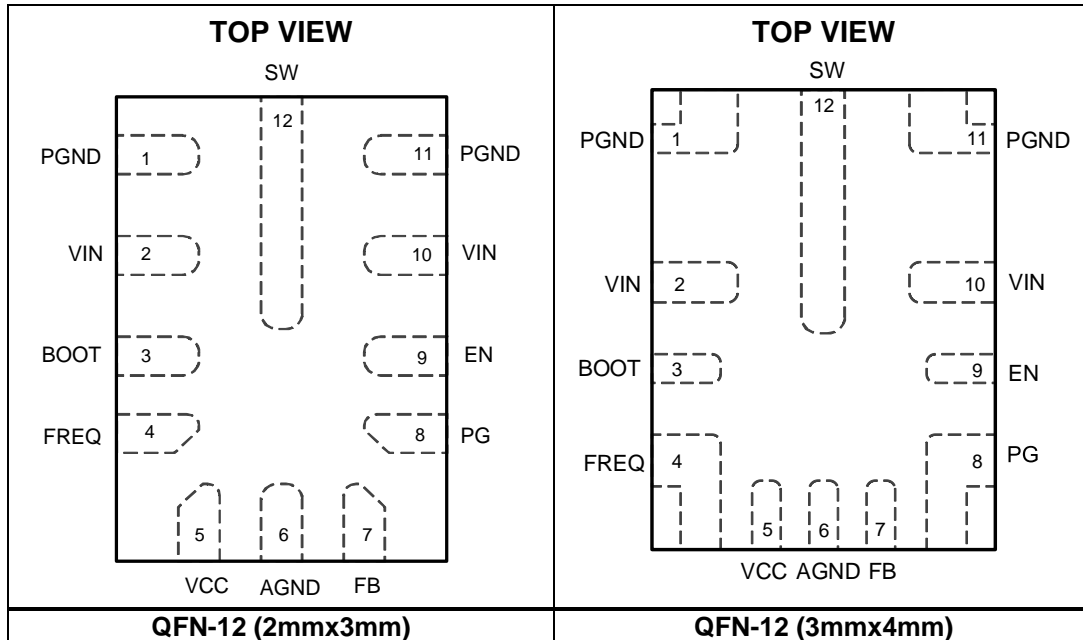
W: Week code

4323: Part number

LLL: Lot number

E: Wettable flank

### PACKAGE REFERENCE



## PIN FUNCTIONS

Pin #	Name	Description
1, 11	PGND	<b>Power ground.</b>
2, 10	VIN	<b>Input supply.</b> VIN supplies power to all the internal control circuitry and the power switch connected to SW. The two VIN pins are connected internally. Connect a decoupling capacitor from VIN to ground (and close to each VIN pin) to minimize switching spikes.
3	BOOT	<b>Bootstrap.</b> BOOT is the positive power supply for the high-side MOSFET driver connected to SW. Connect a bypass capacitor between BOOT and SW.
4	FREQ	<b>Switching frequency configuration.</b> Connect a resistor from the FREQ pin to ground to set the switching frequency.
5	VCC	<b>Bias supply.</b> VCC is the output of the internal regulator that supplies power to the internal control circuit and gate drivers. Connect a minimum 1 $\mu$ F decoupling capacitor from VCC to ground, and place it as close as possible to the VCC pin.
6	AGND	<b>Analog ground.</b>
7	FB	<b>Feedback input.</b> FB is the negative input of the error amplifier, and its typical value is 0.8V. For a fixed output, connect this pin directly to the output voltage. For an adjustable output, connect this pin to the middle point of the external feedback divider, between the output and AGND. This sets the output voltage.
8	PG	<b>Power good output.</b> The output of PG is an open drain. If PG is used, it must be connected to a power source through a pull-up resistor. PG goes high if the output voltage is within 94.5% to 105.5% of the nominal voltage; PG goes low if the output voltage is above 107% or below 93% of the nominal voltage. Float the PG pin if it is not used.
9	EN	<b>Enable.</b> Pull the EN pin below the specified threshold (about 0.85V) to shut down the chip. Pull EN above the specified threshold (about 1.02V) to enable the chip. The EN pin does not require an internal pull-up or pull-down resistor. Do not float the EN pin.
12	SW	<b>Switch node.</b> SW is the source of the high-side MOSFET and the drain of the low-side MOSFET.

## ABSOLUTE MAXIMUM RATINGS <sup>(2)</sup>

VIN, EN.....	42V for automotive load dump <sup>(3)</sup>
VIN, EN.....	-0.3V to +40V
SW.....	-0.3V to V <sub>IN(MAX)</sub> + 0.3V
BOOT.....	V <sub>SW</sub> + 5.5V
FREQ, VCC.....	5.5V
All other pins.....	-0.3V to +6V
Continuous power dissipation (T <sub>A</sub> = 25°C) <sup>(4)</sup>	
QFN-12 (2mmx3mm) .....	3.5W <sup>(8)</sup>
QFN-12 (3mmx4mm) .....	3.6W <sup>(9)</sup>
Operating junction temperature .....	+150°C
Lead temperature.....	+260°C
Storage temperature.....	-65°C to +150°C

## ESD Ratings

Human body model (HBM) .....	Class 2 <sup>(5)</sup>
Charged device model (CDM).....	Class C2b <sup>(6)</sup>

## Recommended Operating Conditions

Supply voltage (V <sub>IN</sub> ).....	3.3V to 36V
Minimum V <sub>IN</sub> for start-up.....	3.9V
Minimum V <sub>IN</sub> after start-up.....	3.1V
Output voltage (V <sub>OUT</sub> ).....	0.8V to 0.95 x V <sub>IN</sub>
Operating junction temp (T <sub>J</sub> ) ...	-40°C to +150°C

Thermal Resistance	θ <sub>JA</sub>	θ <sub>JC</sub>
QFN-12 (2mmx3mm)		
JESD51-7.....	60.....	7.3... °C/W <sup>(7)</sup>
EVQ4323-D-00A.....	35.5.....	3.5... °C/W <sup>(8)</sup>
QFN-12 (3mmx4mm)		
JESD51-7.....	50.....	7.5... °C/W <sup>(7)</sup>
EVQ4323-L-00A.....	34.3.....	3.7... °C/W <sup>(9)</sup>

### Notes:

- Absolute maximum ratings are rated under room temperature, unless otherwise noted. Exceeding these ratings may damage the device.
- Refer to ISO16750.
- The maximum allowable power dissipation is a function of the maximum junction temperature, T<sub>J</sub> (MAX), the junction-to-ambient thermal resistance, θ<sub>JA</sub>, and the ambient temperature, T<sub>A</sub>. The maximum allowable continuous power dissipation at any ambient temperature is calculated by P<sub>D</sub> (MAX) = (T<sub>J</sub> (MAX) - T<sub>A</sub>) / θ<sub>JA</sub>. Exceeding the maximum allowable power dissipation can cause excessive die temperature, and the device may go into thermal shutdown. Internal thermal shutdown circuitry protects the device from permanent damage.
- Per AEC-Q100-002.
- Per AEC-Q100-011.
- Measured on JESD51-7, 4-layer PCB. The values given in this table are only valid for comparison with other packages and cannot be used for design purposes. These values were calculated in accordance with JESD51-7, and simulated on a specified JEDEC board. They do not represent the performance obtained in an actual application. The θ<sub>JC</sub> value shows the thermal resistance from junction-to-case bottom.
- Measured on MPS MPQ4323GDE standard EVB, 8.3cmx8.3cm, 2oz copper thickness, 4-layer PCB. The θ<sub>JC</sub> value shows the thermal resistance from junction-to-case top.
- Measured on MPS MPQ4323GLE standard EVB, 8.3cmx8.3cm, 2oz copper thickness, 4-layer PCB. The θ<sub>JC</sub> value shows the thermal resistance from junction-to-case top.

## ELECTRICAL CHARACTERISTICS

V<sub>IN</sub> = 12V, V<sub>EN</sub> = 2V, T<sub>J</sub> = -40°C to +150°C, typical values are at T<sub>J</sub> = 25°C, unless otherwise noted.

Parameter	Symbol	Condition	Min	Typ	Max	Units
<b>Input Supply</b>						
VIN under-voltage lockout rising threshold	V <sub>INUVLO_RISING</sub>		3.4	3.65	3.9	V
VIN under-voltage lockout falling threshold	V <sub>INUVLO_FALLING</sub>		2.6	2.9	3.1	V
VIN under-voltage lockout hysteresis	V <sub>INUVLO_HYS</sub>			750		mV
VIN quiescent current	I <sub>Q</sub>	V <sub>FB</sub> = 0.85V, no load, T <sub>J</sub> = 25°C		20	28	μA
		V <sub>FB</sub> = 0.85V, no load, T <sub>J</sub> = -40°C to +125°C <sup>(10)</sup>			34	μA
		V <sub>FB</sub> = 0.85V, no load, T <sub>J</sub> = -40°C to +150°C			80	μA
VIN quiescent current (switching) <sup>(10)</sup>	I <sub>Q_SWITCHING</sub>	Switching, R <sub>FB1</sub> = 1MΩ, R <sub>FB2</sub> = 191kΩ, no load		25		μA
VIN shutdown current	I <sub>SHDN</sub>	V <sub>EN</sub> = 0V		1	10	μA
VIN over-voltage protection rising threshold	V <sub>INOVLP_RISING</sub>		35.5	37.5	40	V
VIN over-voltage protection falling threshold	V <sub>INOVLP_FALLING</sub>		34.5	36.5	39	V
VIN over-voltage protection hysteresis	V <sub>INOVLP_HYS</sub>			1		V
<b>Switching Frequency (f<sub>sw</sub>)</b>						
Switching frequency	f <sub>sw</sub>	R <sub>FREQ</sub> = 86.6kΩ, without FSS	332	415	498	kHz
		R <sub>FREQ</sub> = 34.8kΩ, without FSS	900	1000	1100	kHz
		R <sub>FREQ</sub> = 15kΩ, without FSS	1980	2200	2420	kHz
Frequency spread spectrum (FSS) span				±10		%
FSS modulation frequency				15		kHz
Minimum on time <sup>(10)</sup>	t <sub>ON_MIN</sub>			65	80	ns
Minimum off time <sup>(10)</sup>	t <sub>OFF_MIN</sub>			50	70	ns
Maximum duty cycle	D <sub>MAX</sub>		98	99.5		%
Switch leakage current	I <sub>SW_LKG</sub>	V <sub>SW</sub> = V <sub>BOOT</sub> = 0V or V <sub>IN</sub> , V <sub>EN</sub> = 0V, T <sub>J</sub> = 25°C		0.01	1	μA
		V <sub>SW</sub> = V <sub>BOOT</sub> = 0V or V <sub>IN</sub> , V <sub>EN</sub> = 0V, T <sub>J</sub> = -40°C to +150°C		0.01	5	μA
High-side MOSFET (HS-FET) on resistance	R <sub>ON_HS</sub>	V <sub>BOOT</sub> - V <sub>SW</sub> = 5V		70	130	mΩ
Low-side MOSFET (LS-FET) on resistance	R <sub>ON_LS</sub>	V <sub>CC</sub> = 5V		50	90	mΩ

**ELECTRICAL CHARACTERISTICS (continued)**
**V<sub>IN</sub> = 12V, V<sub>EN</sub> = 2V, T<sub>J</sub> = -40°C to +150°C, typical values are at T<sub>J</sub> = 25°C, unless otherwise noted.**

Parameter	Symbol	Condition	Min	Typ	Max	Units
<b>Output and Regulation</b>						
Feedback (FB) voltage	V <sub>FB</sub>	T <sub>J</sub> = 25°C, adjustable output	0.794	0.8	0.806	V
		T <sub>J</sub> = -40°C to +150°C, adjustable output	0.790	0.8	0.810	V
FB input current	I <sub>FB</sub>	Adjustable output		0	100	nA
		Fixed output		3.8		μA
V <sub>OUT</sub> discharge current	I <sub>DISCHARGE</sub>	V <sub>EN</sub> = 0V, V <sub>OUT</sub> = 0.3V	2	4		mA
V <sub>OUT</sub> accuracy of 3.3V fixed-output version	V <sub>OUT_3.3V</sub>	T <sub>J</sub> = 25°C	3250	3300	3350	mV
		T <sub>J</sub> = -40°C to +150°C	3234	3300	3366	mV
V <sub>OUT</sub> accuracy of 3.8V fixed-output version	V <sub>OUT_3.8V</sub>	T <sub>J</sub> = 25°C	3743	3800	3857	mV
		T <sub>J</sub> = -40°C to +150°C	3724	3800	3876	mV
<b>Bootstrap (BOOT)</b>						
BOOT - SW refresh rising	V <sub>BOOT_RISING</sub>			2.5	2.9	V
BOOT - SW refresh falling	V <sub>BOOT_FALLING</sub>			2.3	2.7	V
BOOT - SW refresh hysteresis	V <sub>BOOT_HYS</sub>			0.2		V
<b>Enable (EN)</b>						
EN rising threshold	V <sub>EN_RISING</sub>		0.97	1.02	1.07	V
EN falling threshold	V <sub>EN_FALLING</sub>		0.8	0.85	0.9	V
EN threshold hysteresis	V <sub>EN_HYS</sub>			170		mV
<b>Soft Start (SS) and VCC</b>						
Soft-start time	t <sub>SS</sub>	EN high to SS is complete	3	5	7	ms
VCC voltage	V <sub>CC</sub>	I <sub>VCC</sub> = 0A	4.7	5	5.3	V
VCC regulation		I <sub>VCC</sub> = 30mA		1		%
VCC current Limit	I <sub>LIMIT_VCC</sub>	V <sub>CC</sub> = 4V	50	70		mA
<b>Power Good (PG)</b>						
PG rising threshold (adjustable output)	PG <sub>VTH_RISING_ADJ</sub>	V <sub>OUT</sub> rising, V <sub>FB</sub> / V <sub>REF</sub>	93	94.5	96	% of V <sub>REF</sub>
		V <sub>OUT</sub> falling, V <sub>FB</sub> / V <sub>REF</sub>	104	105.5	107	
PG rising threshold (fixed output)	PG <sub>VTH_RISING_FIXED</sub>	V <sub>OUT</sub> rising, V <sub>FB</sub> / V <sub>OUT</sub>	93	94.5	96.5	% of V <sub>OUT</sub>
		V <sub>OUT</sub> falling, V <sub>FB</sub> / V <sub>OUT</sub>	104	105.5	108	
PG falling threshold (adjustable output)	PG <sub>VTH_FALLING_ADJ</sub>	V <sub>OUT</sub> falling, V <sub>FB</sub> / V <sub>REF</sub>	91.5	93	94.5	% of V <sub>REF</sub>
		V <sub>OUT</sub> rising, V <sub>FB</sub> / V <sub>REF</sub>	105.5	107	108.5	
PG falling threshold (fixed output)	PG <sub>VTH_FALLING_FIXED</sub>	V <sub>OUT</sub> rising, V <sub>FB</sub> / V <sub>OUT</sub>	91.5	93	95	% of V <sub>OUT</sub>
		V <sub>OUT</sub> falling, V <sub>FB</sub> / V <sub>OUT</sub>	105.5	107	109.5	
PG threshold hysteresis	PG <sub>VTH_HYS</sub>	V <sub>FB</sub> / V <sub>REF</sub>		1.5		% of V <sub>REF</sub>
PG output voltage low	V <sub>PG_LOW</sub>	I <sub>SINK</sub> = 1mA		0.1	0.3	V
PG rising deglitch time	t <sub>PG_R</sub>			70		μs
PG falling deglitch time	t <sub>PG_F</sub>			60		μs



**ELECTRICAL CHARACTERISTICS (continued)**
**V<sub>IN</sub> = 12V, V<sub>EN</sub> = 2V, T<sub>J</sub> = -40°C to +150°C, typical values are at T<sub>J</sub> = 25°C, unless otherwise noted.**

Parameter	Symbol	Condition	Min	Typ	Max	Units
<b>Protections</b>						
HS peak current limit	I <sub>LIMIT_HS</sub>	30% duty cycle	4.3	5.8	7.3	A
LS valley current limit	I <sub>LIMIT_LS</sub>		3	4.4	5.7	A
ZCD current	I <sub>ZCD</sub>		-0.05	0.05	+0.15	A
Thermal shutdown <sup>(10)</sup>	T <sub>SD</sub>		160	175	185	°C
Thermal shutdown hysteresis <sup>(10)</sup>	T <sub>SD_HYS</sub>			20		°C

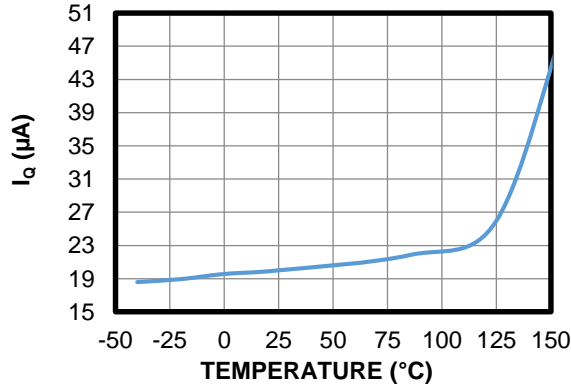
**Note:**

10) Guaranteed by design and characterization. Not tested in production.

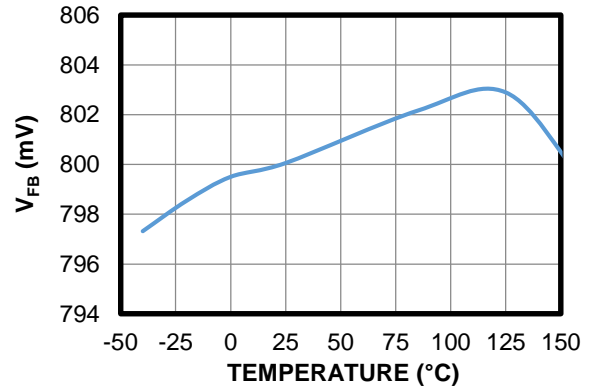
## TYPICAL CHARACTERISTICS

V<sub>IN</sub> = 12V, unless otherwise noted.

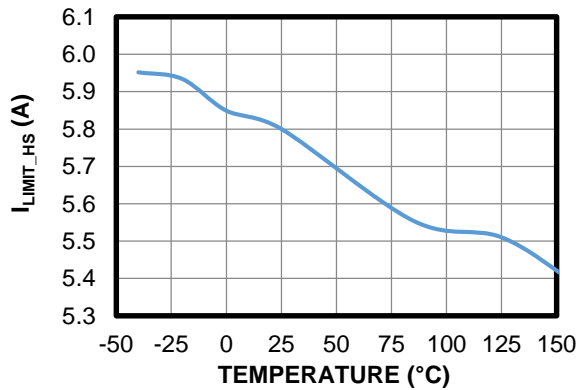
I<sub>Q</sub> vs. Temperature



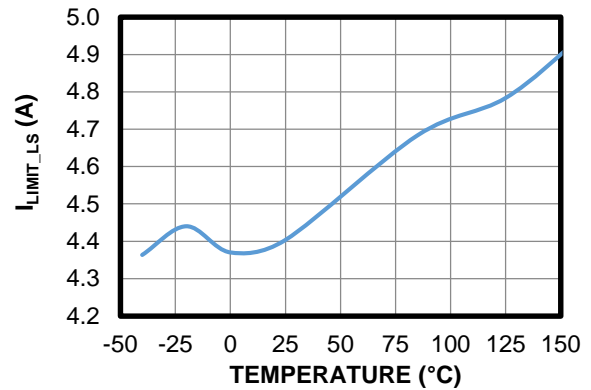
V<sub>FB</sub> vs. Temperature



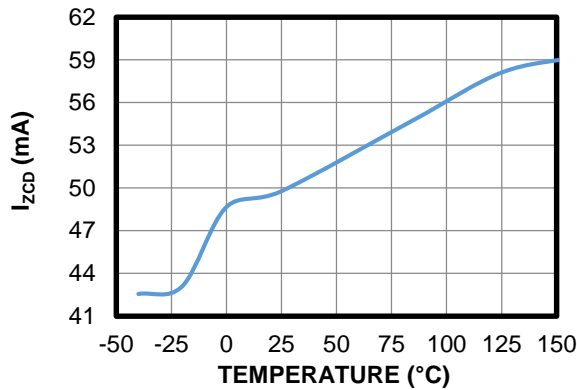
I<sub>LIMIT\_HS</sub> vs. Temperature



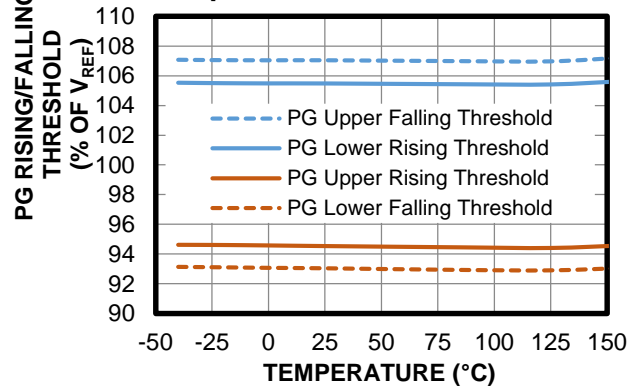
I<sub>LIMIT\_LS</sub> vs. Temperature



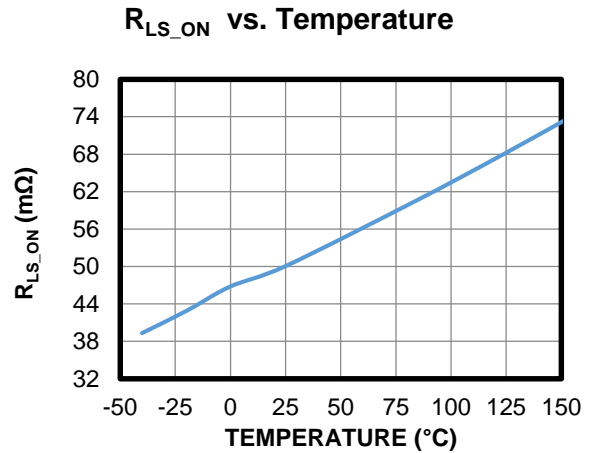
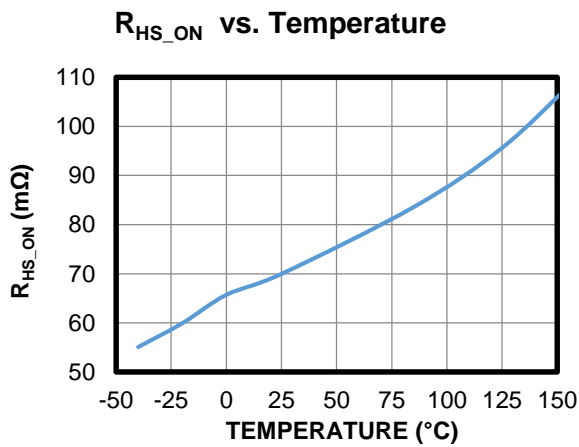
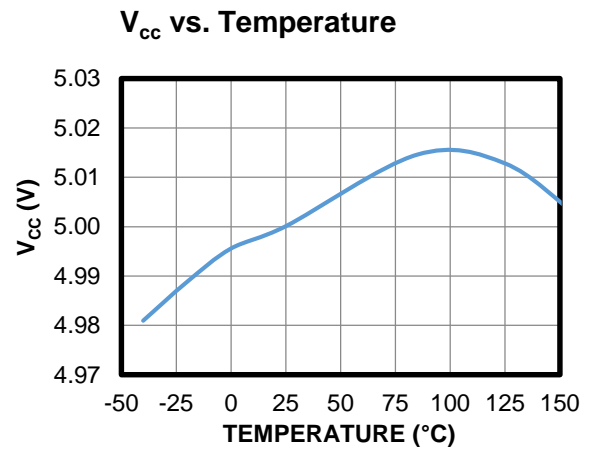
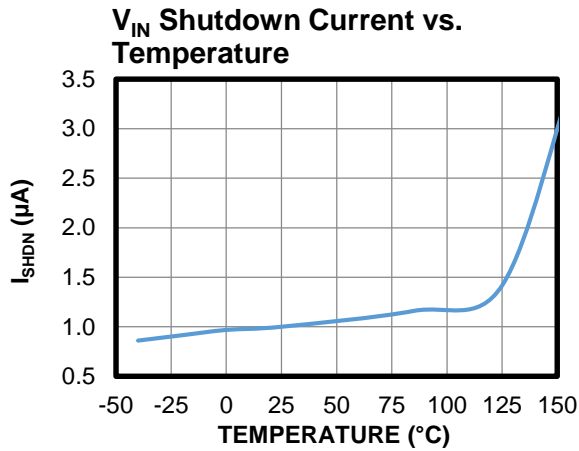
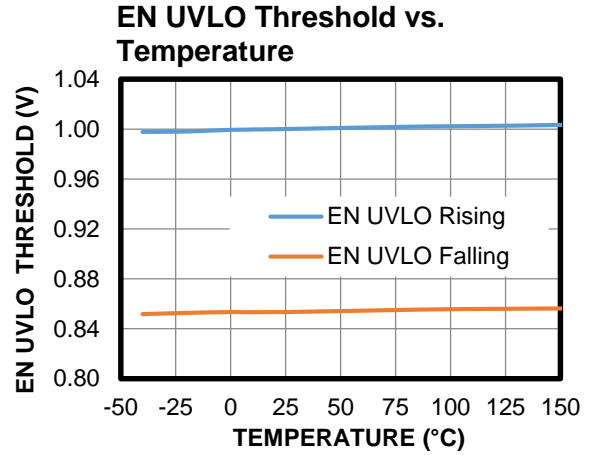
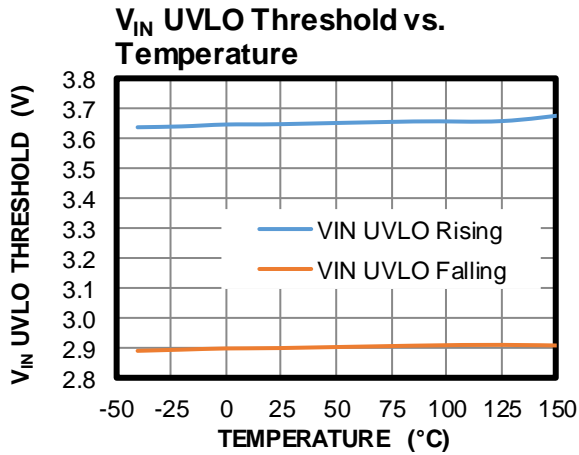
I<sub>ZCD</sub> vs. Temperature



PG Rising/Falling Threshold vs. Temperature

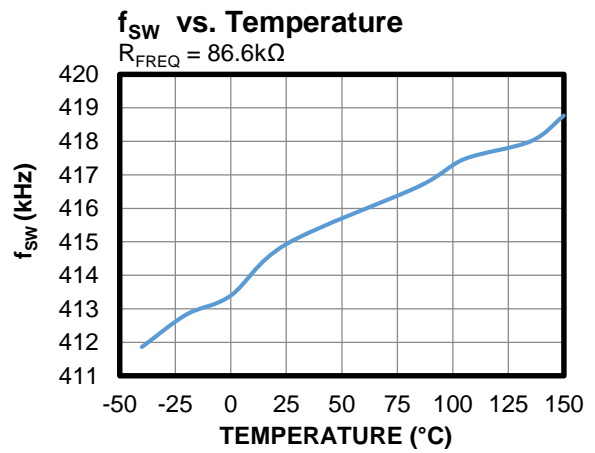
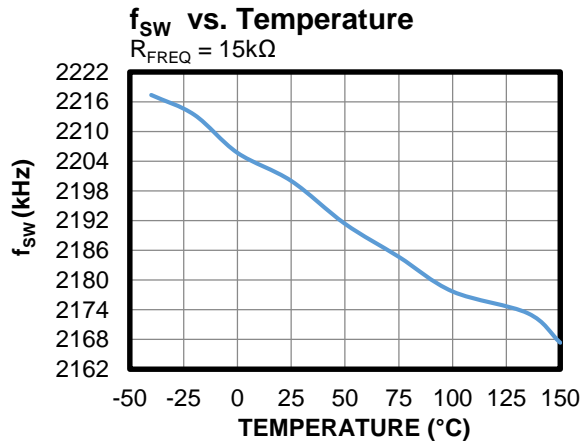


**TYPICAL CHARACTERISTICS (continued)**

 V<sub>IN</sub> = 12V, unless otherwise noted.


## TYPICAL CHARACTERISTICS (continued)

V<sub>IN</sub> = 12V, unless otherwise noted.

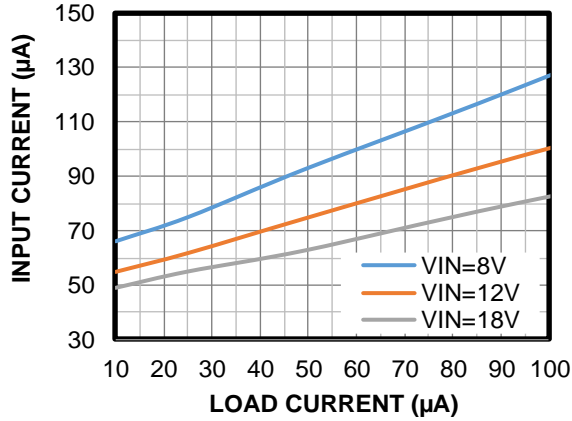


## TYPICAL PERFORMANCE CHARACTERISTICS

V<sub>IN</sub> = 12V, V<sub>OUT</sub> = 5V, f<sub>SW</sub> = 2.2MHz, L = 2.2μH, C<sub>OUT</sub> = 22μF x 2, T<sub>A</sub> = 25°C, unless otherwise noted.

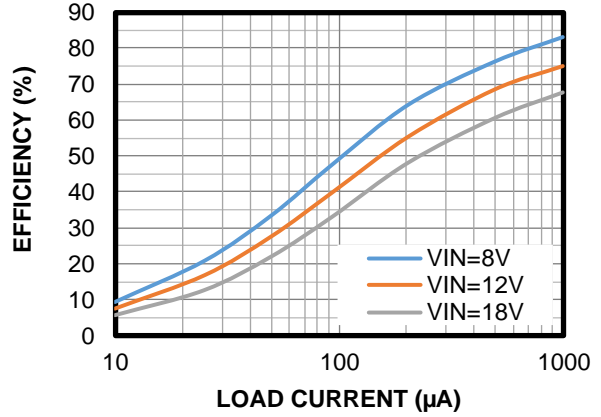
**Input Current vs. Load Current**

R<sub>FB1</sub> = 100kΩ, R<sub>FB2</sub> = 19.1kΩ,  
DCR = 22.1mΩ



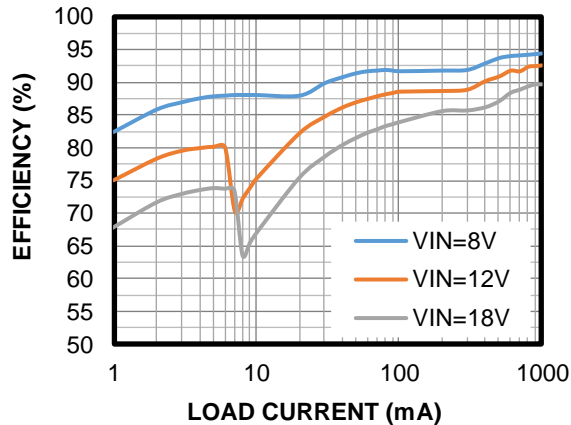
**Efficiency vs. Load Current**

R<sub>FB1</sub> = 100kΩ, R<sub>FB2</sub> = 19.1kΩ,  
DCR = 22.1mΩ



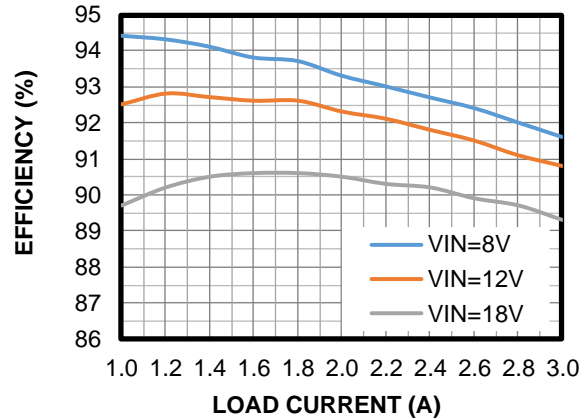
**Efficiency vs. Load Current**

DCR = 22.1mΩ



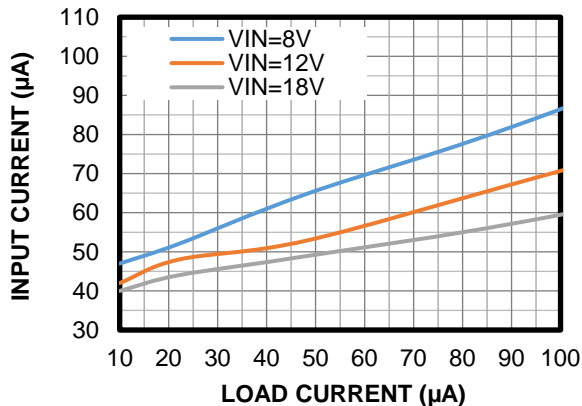
**Efficiency vs. Load Current**

DCR = 22.1mΩ



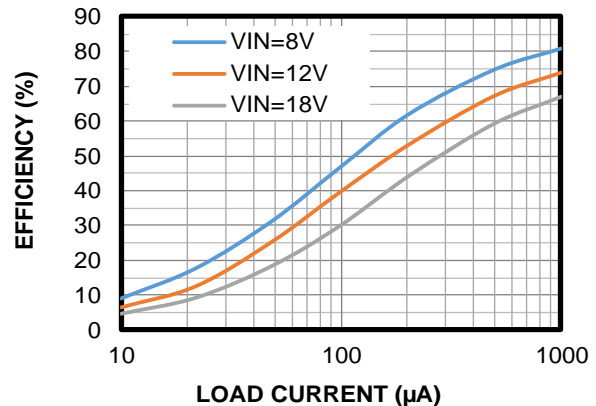
**Input Current vs. Load Current**

V<sub>OUT</sub> = 3.3V, R<sub>FB1</sub> = 100kΩ,  
R<sub>FB2</sub> = 31.6kΩ, DCR = 22.1mΩ



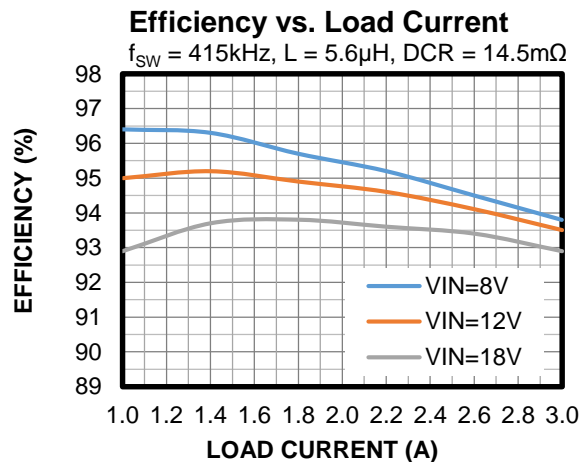
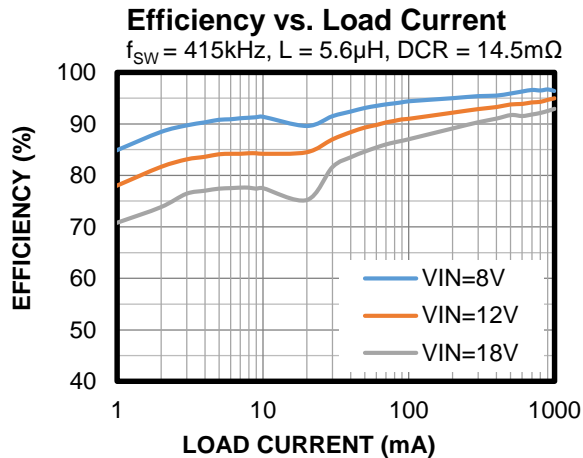
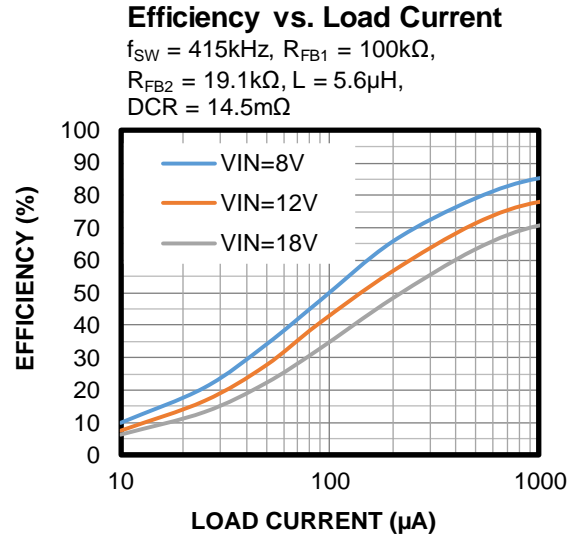
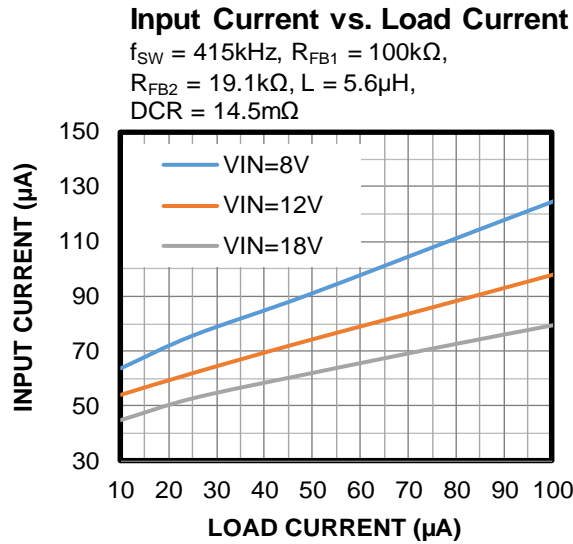
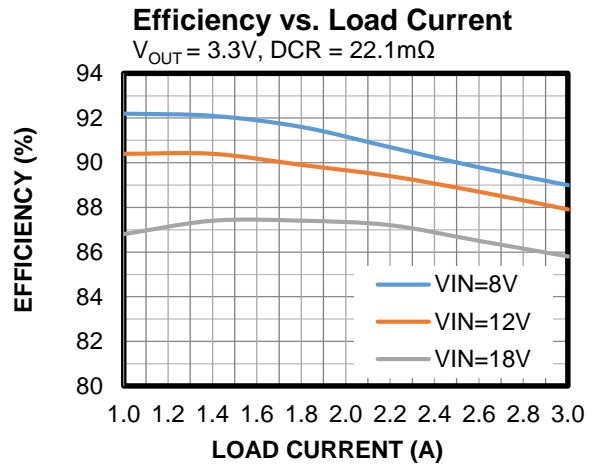
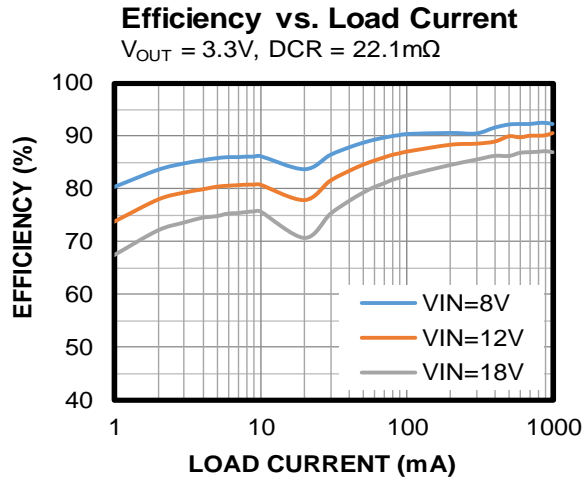
**Efficiency vs. Load Current**

V<sub>OUT</sub> = 3.3V, R<sub>FB1</sub> = 100kΩ, R<sub>FB2</sub> = 31.6kΩ,  
DCR = 22.1mΩ



## TYPICAL PERFORMANCE CHARACTERISTICS (continued)

V<sub>IN</sub> = 12V, V<sub>OUT</sub> = 5V, f<sub>SW</sub> = 2.2MHz, L = 2.2μH, C<sub>OUT</sub> = 22μF x 2, T<sub>A</sub> = 25°C, unless otherwise noted.

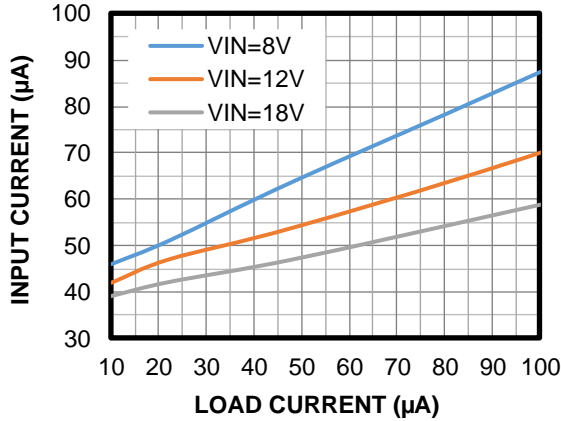


## TYPICAL PERFORMANCE CHARACTERISTICS (continued)

V<sub>IN</sub> = 12V, V<sub>OUT</sub> = 5V, f<sub>SW</sub> = 2.2MHz, L = 2.2μH, C<sub>OUT</sub> = 22μF x 2, T<sub>A</sub> = 25°C, unless otherwise noted.

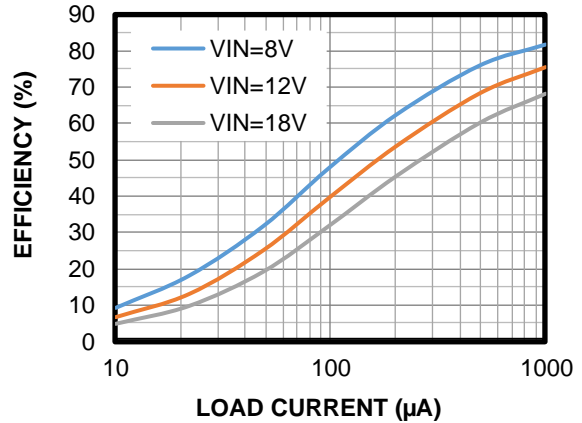
**Input Current vs. Load Current**

V<sub>OUT</sub> = 3.3V, f<sub>SW</sub> = 415kHz, R<sub>FB1</sub> = 100kΩ, R<sub>FB2</sub> = 31.6kΩ, L = 5.6μH, DCR = 14.5mΩ



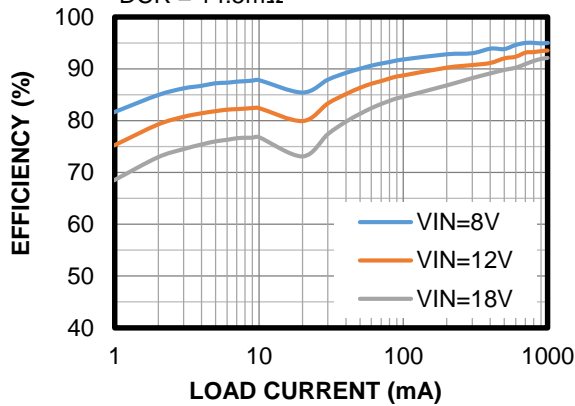
**Efficiency vs. Load Current**

V<sub>OUT</sub> = 3.3V, f<sub>SW</sub> = 415kHz, R<sub>FB1</sub> = 100kΩ, R<sub>FB2</sub> = 31.6kΩ, L = 5.6μH, DCR = 14.5mΩ



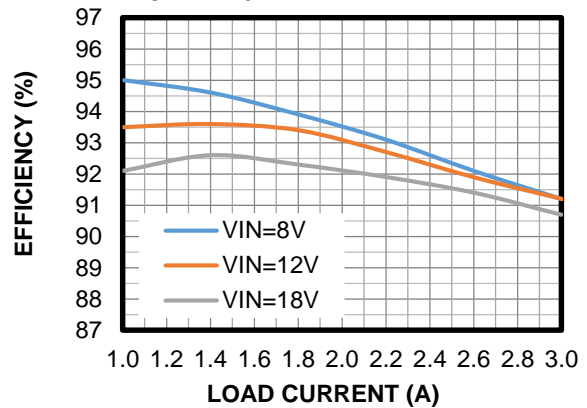
**Efficiency vs. Load Current**

V<sub>OUT</sub> = 3.3V, f<sub>SW</sub> = 415kHz, L = 5.6μH, DCR = 14.5mΩ



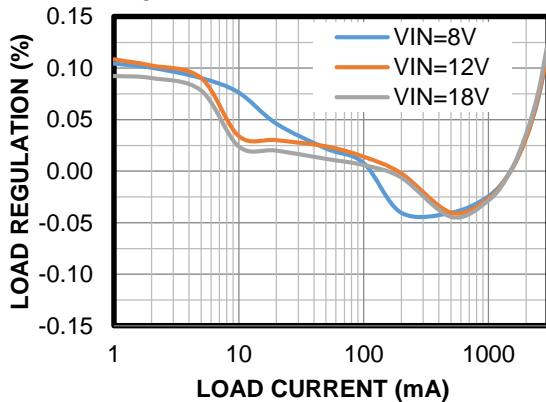
**Efficiency vs. Load Current**

V<sub>OUT</sub> = 3.3V, f<sub>SW</sub> = 415kHz, L = 5.6μH, DCR = 14.5mΩ



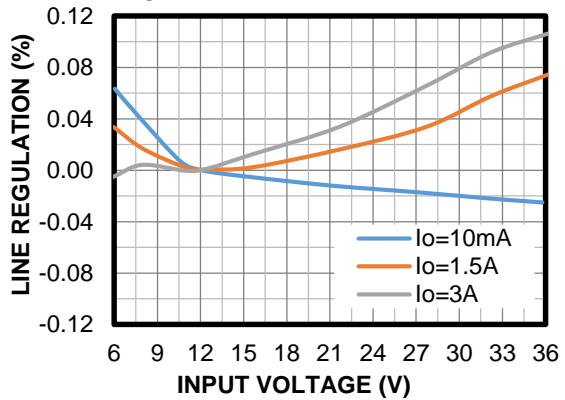
**Load Regulation**

DCR = 22.1mΩ



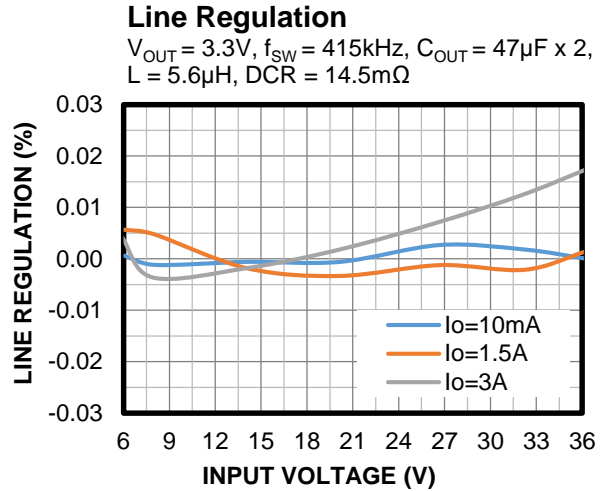
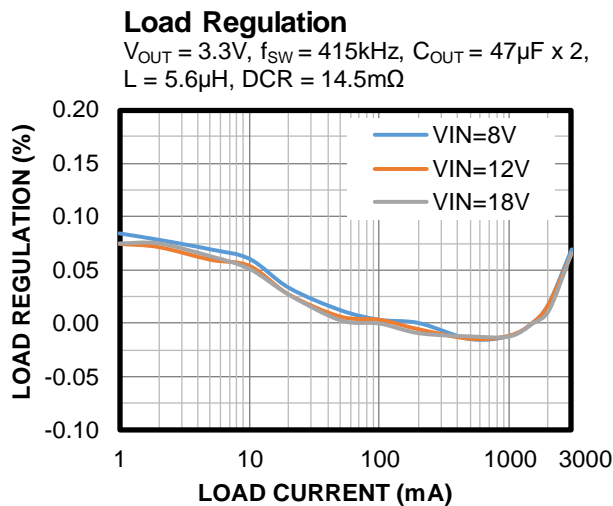
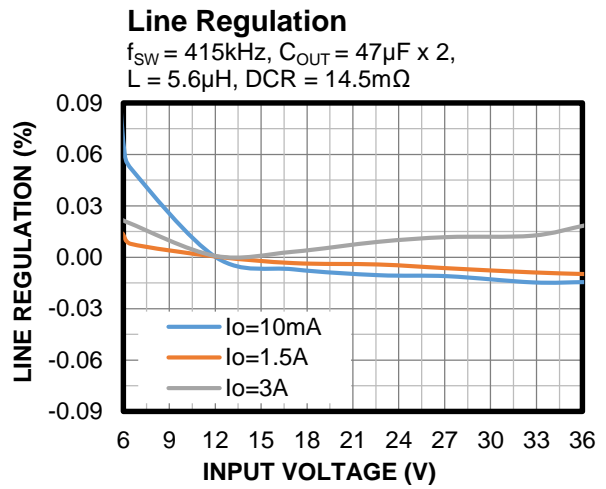
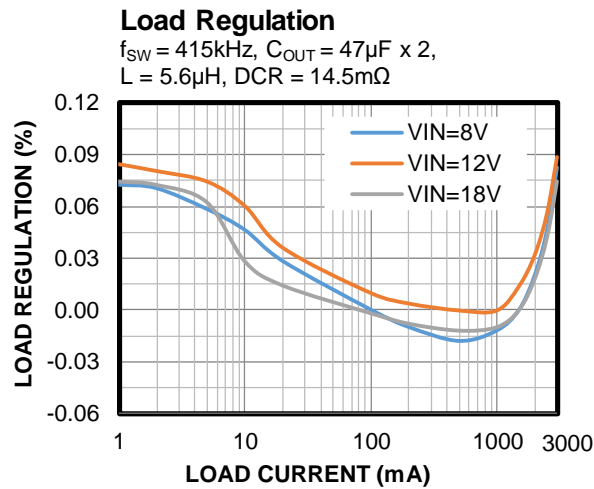
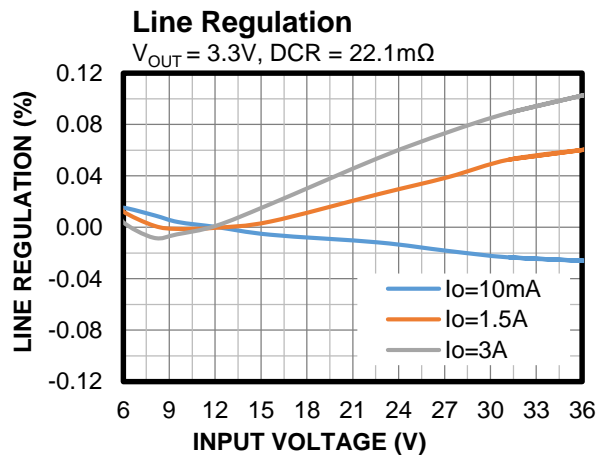
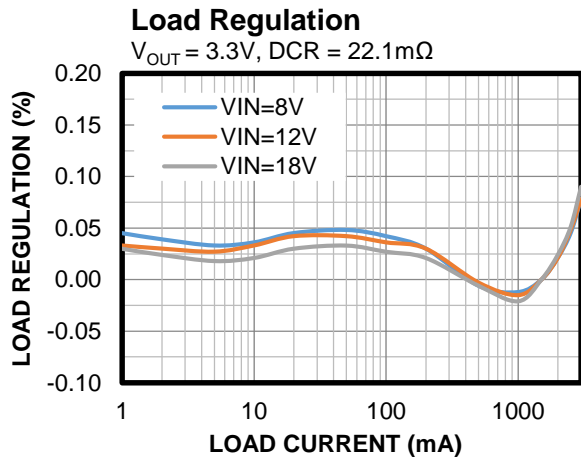
**Line Regulation**

DCR = 22.1mΩ



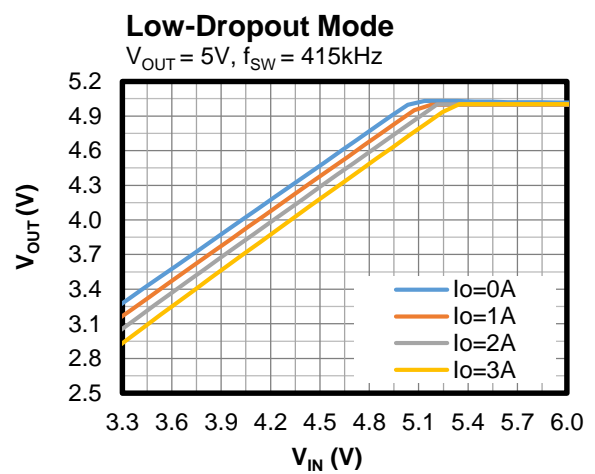
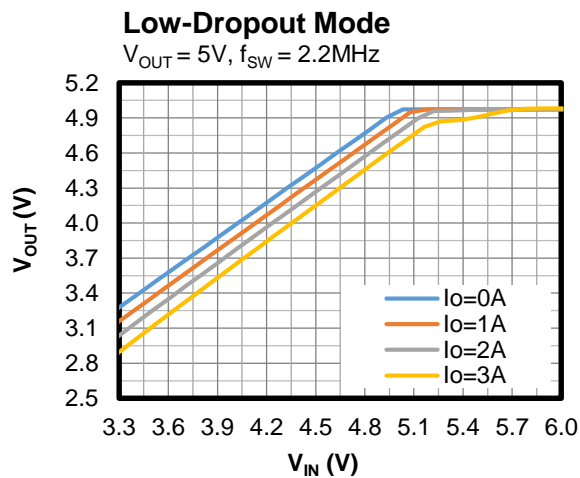
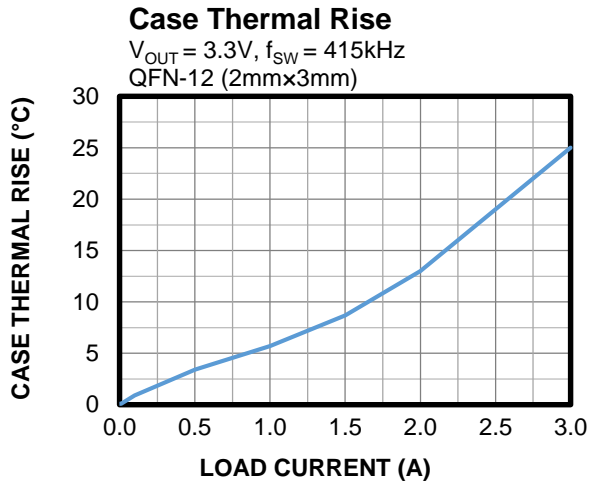
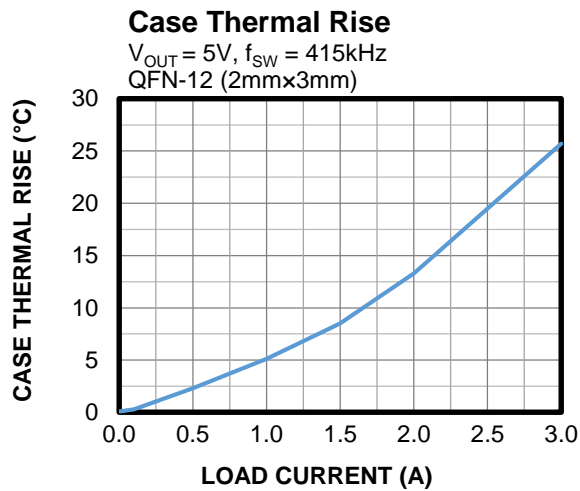
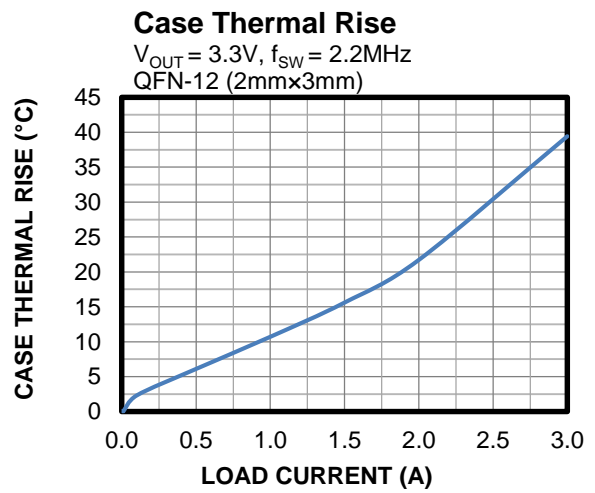
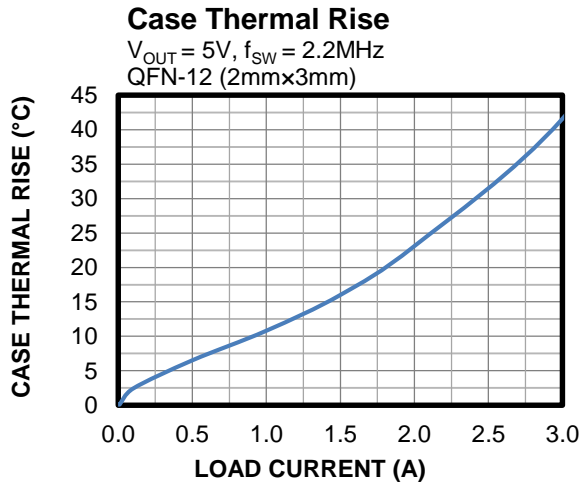
## TYPICAL PERFORMANCE CHARACTERISTICS (continued)

V<sub>IN</sub> = 12V, V<sub>OUT</sub> = 5V, f<sub>SW</sub> = 2.2MHz, L = 2.2μH, C<sub>OUT</sub> = 22μF x 2, T<sub>A</sub> = 25°C, unless otherwise noted.



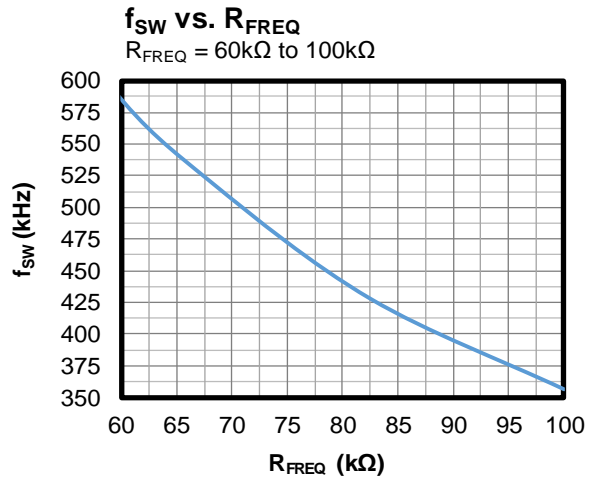
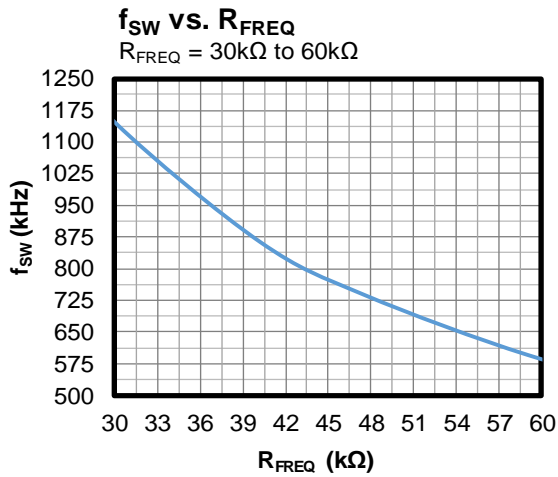
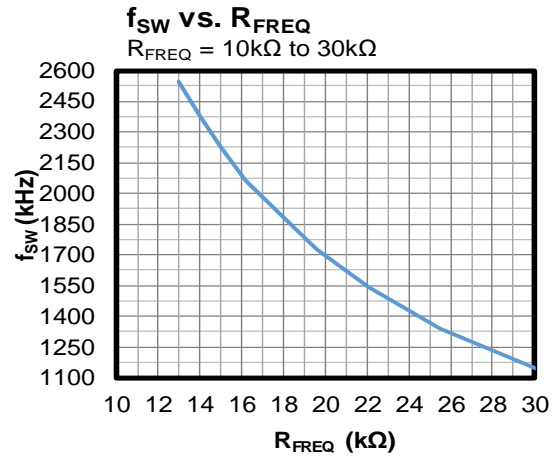
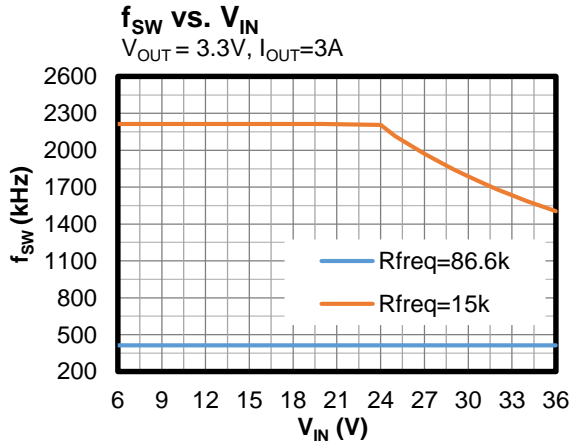


**TYPICAL PERFORMANCE CHARACTERISTICS (continued)**

 V<sub>IN</sub> = 12V, V<sub>OUT</sub> = 5V, f<sub>SW</sub> = 2.2MHz, L = 2.2μH, C<sub>OUT</sub> = 22μF x 2, T<sub>A</sub> = 25°C, unless otherwise noted.


### TYPICAL PERFORMANCE CHARACTERISTICS (continued)

V<sub>IN</sub> = 12V, V<sub>OUT</sub> = 5V, f<sub>SW</sub> = 2.2MHz, L = 2.2μH, C<sub>OUT</sub> = 22μF x 2, T<sub>A</sub> = 25°C, unless otherwise noted.

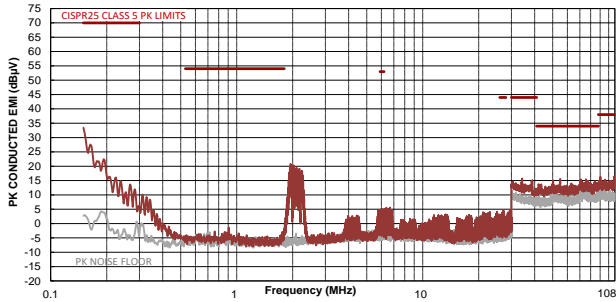


## TYPICAL PERFORMANCE CHARACTERISTICS *(continued)*

V<sub>IN</sub> = 12V, V<sub>OUT</sub> = 5V, f<sub>SW</sub> = 2.2MHz, L = 2.2µH, C<sub>OUT</sub> = 22µF x 2, T<sub>A</sub> = 25°C, unless otherwise noted.<sup>(11)</sup>

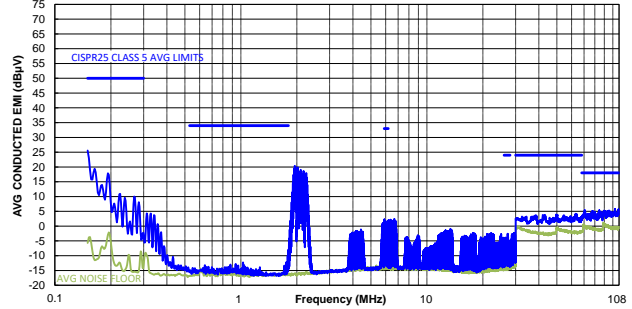
### CISPR25 Class 5 Peak Conducted Emissions

150kHz to 108MHz



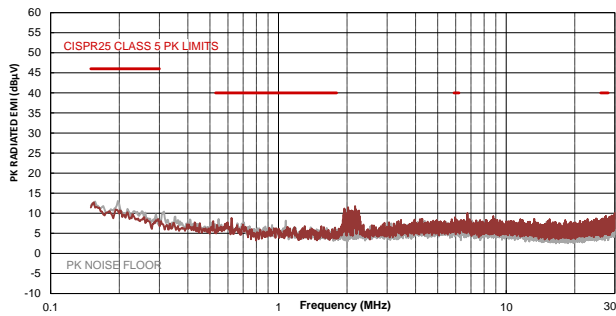
### CISPR25 Class 5 Average Conducted Emissions

150kHz to 108MHz



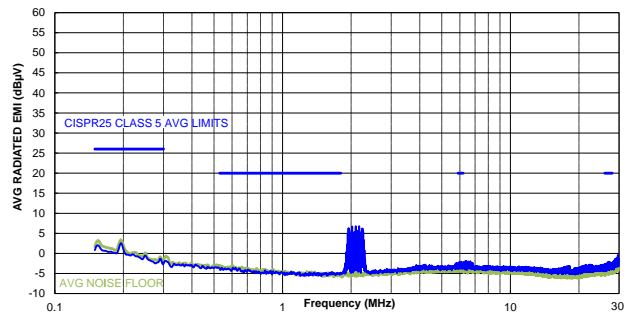
### CISPR25 Class 5 Peak Radiated Emissions

150kHz to 30MHz



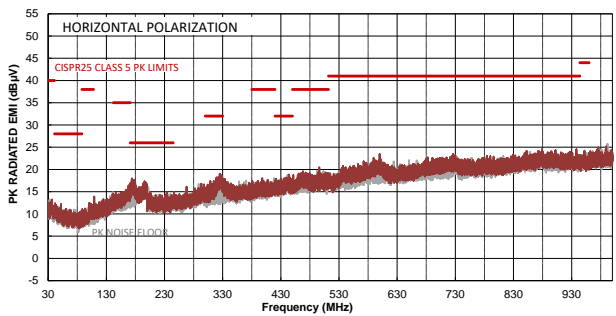
### CISPR25 Class 5 Average Radiated Emissions

150kHz to 30MHz



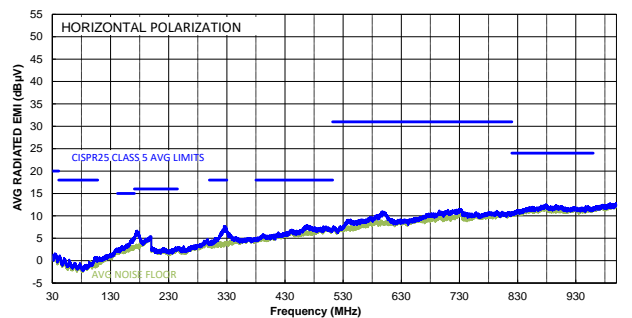
### CISPR25 Class 5 Peak Radiated Emissions

Horizontal, 30MHz to 1GHz



### CISPR25 Class 5 Average Radiated Emissions

Horizontal, 30MHz to 1GHz

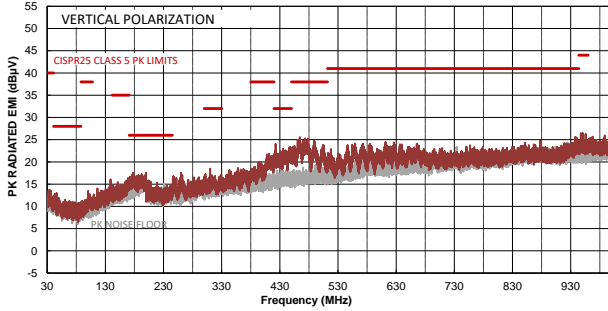


## TYPICAL PERFORMANCE CHARACTERISTICS *(continued)*

V<sub>IN</sub> = 12V, V<sub>OUT</sub> = 5V, f<sub>SW</sub> = 2.2MHz, L = 2.2μH, C<sub>OUT</sub> = 22μF x 2, T<sub>A</sub> = 25°C, unless otherwise noted.<sup>(11)</sup>

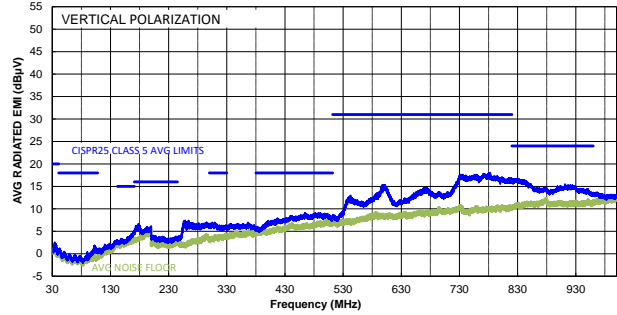
### CISPR25 Class 5 Peak Radiated Emissions

Vertical, 30MHz to 1GHz



### CISPR25 Class 5 Average Radiated Emissions

Vertical, 30MHz to 1GHz



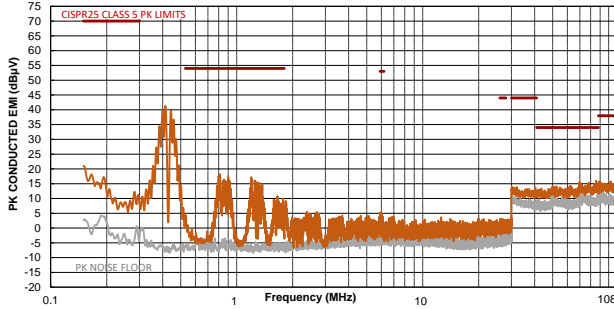
**Note:**

11) The EMC test results are based on the application circuit with EMI filters (see Figure 20 on page 42).

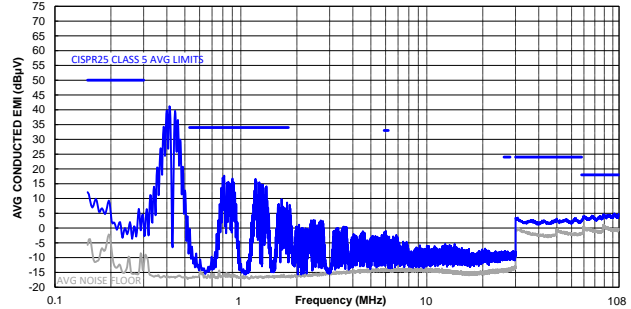
## TYPICAL PERFORMANCE CHARACTERISTICS *(continued)*

V<sub>IN</sub> = 12V, V<sub>OUT</sub> = 5V, f<sub>SW</sub> = 415kHz, L = 5.6μH, C<sub>OUT</sub> = 47μF x 2, T<sub>A</sub> = 25°C, unless otherwise noted.<sup>(12)</sup>

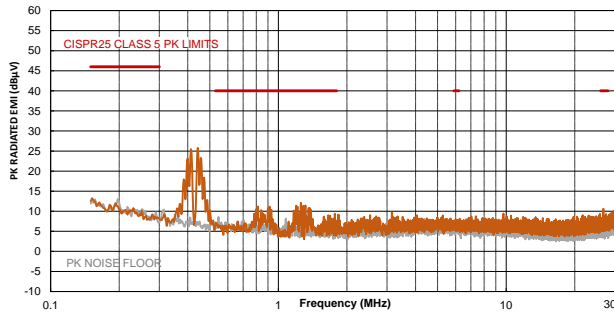
**CISPR25 Class 5 Peak Conducted Emissions**  
150kHz to 108MHz



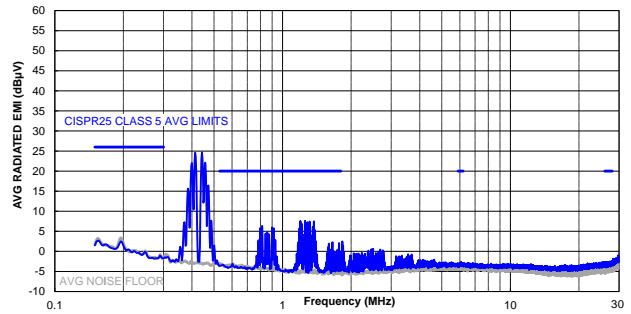
**CISPR25 Class 5 Average Conducted Emissions**  
150kHz to 108MHz



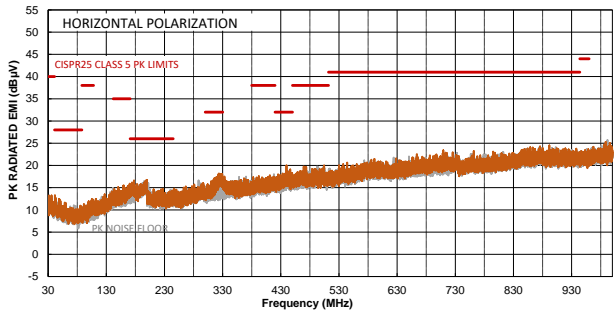
**CISPR25 Class 5 Peak Radiated Emissions**  
150kHz to 30MHz



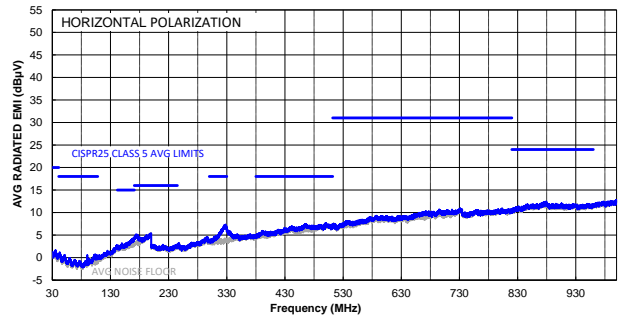
**CISPR25 Class 5 Average Radiated Emissions**  
150kHz to 30MHz



**CISPR25 Class 5 Peak Radiated Emissions**  
Horizontal, 30MHz to 1GHz



**CISPR25 Class 5 Average Radiated Emissions**  
Horizontal, 30MHz to 1GHz

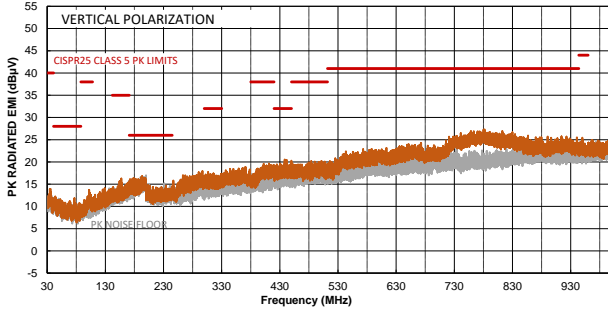


## TYPICAL PERFORMANCE CHARACTERISTICS *(continued)*

V<sub>IN</sub> = 12V, V<sub>OUT</sub> = 5V, f<sub>SW</sub> = 415kHz, L = 5.6μH, C<sub>OUT</sub> = 47μF x 2, T<sub>A</sub> = 25°C, unless otherwise noted.<sup>(12)</sup>

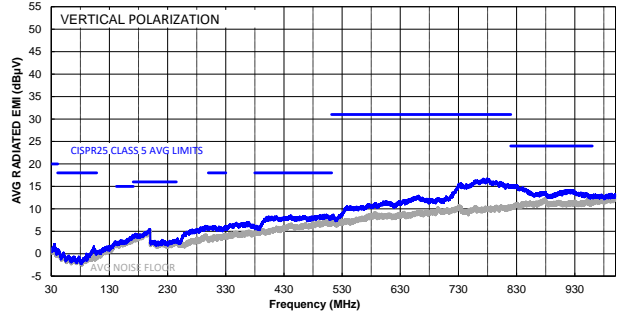
### CISPR25 Class 5 Peak Radiated Emissions

Vertical, 30MHz to 1GHz



### CISPR25 Class 5 Average Radiated Emissions

Vertical, 30MHz to 1GHz



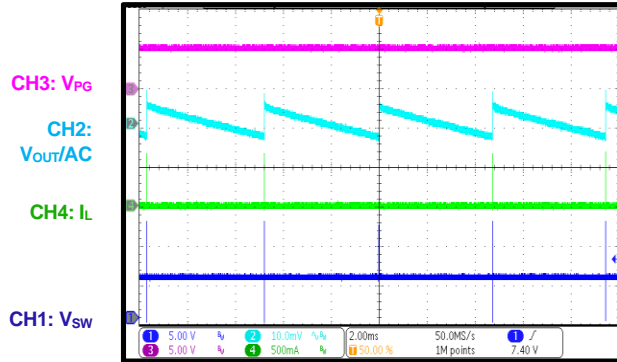
**Note:**

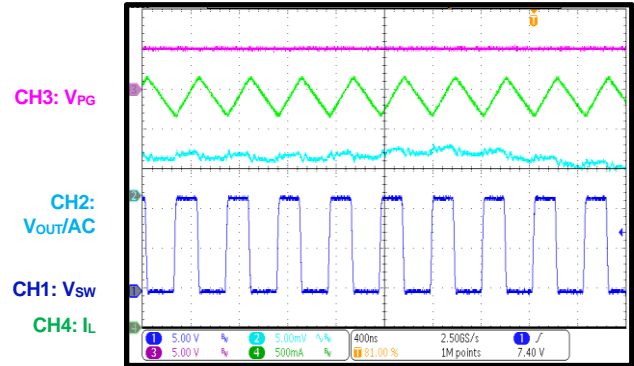
12) The EMC test results are based on the application circuit with EMI filters (see Figure 21 on page 43).

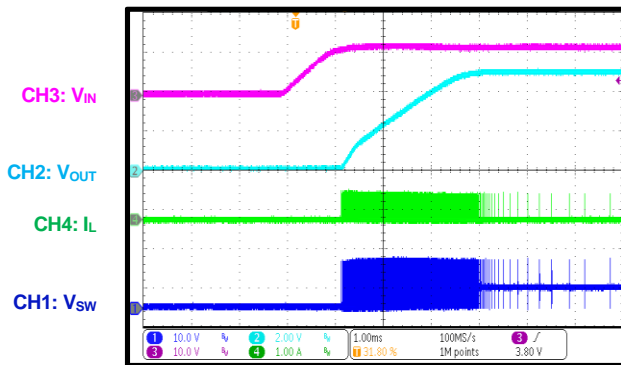
**TYPICAL PERFORMANCE CHARACTERISTICS (continued)**

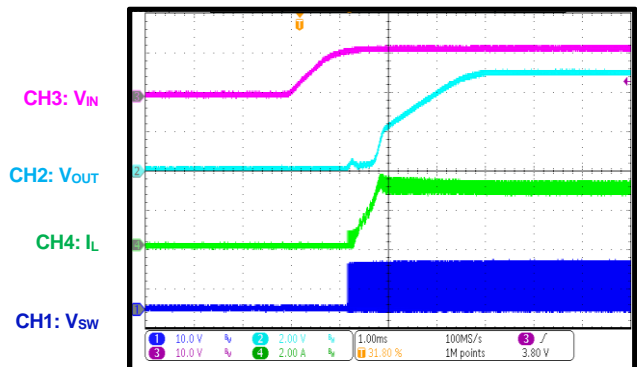
 V<sub>IN</sub> = 12V, V<sub>OUT</sub> = 5V, f<sub>SW</sub> = 2.2MHz, L = 2.2μH, C<sub>OUT</sub> = 22μF x 2, T<sub>A</sub> = 25°C, unless otherwise noted.

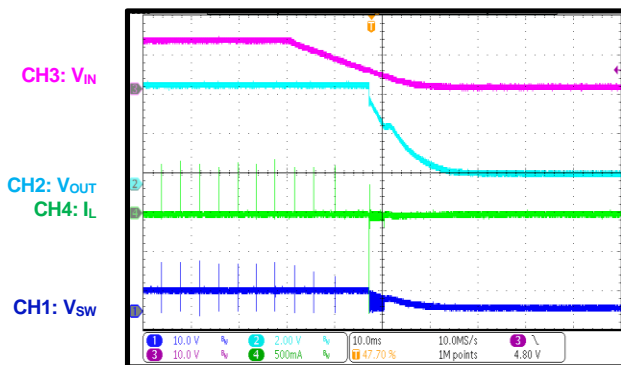
**Steady State**

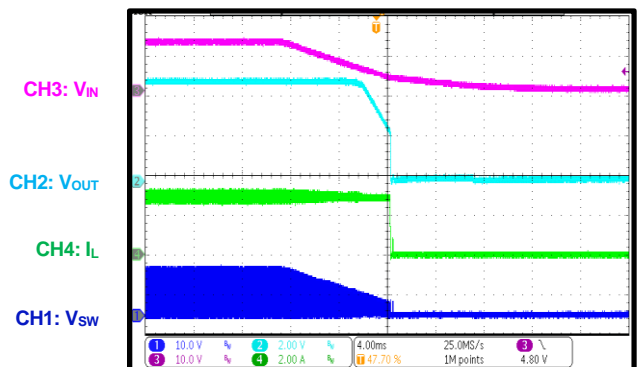
 I<sub>OUT</sub> = 0A

**Steady State**

 I<sub>OUT</sub> = 3A

**Start-Up through VIN**

 I<sub>OUT</sub> = 0A

**Start-Up through VIN**

 I<sub>OUT</sub> = 3A

**Shutdown through VIN**

 I<sub>OUT</sub> = 0A

**Shutdown through VIN**

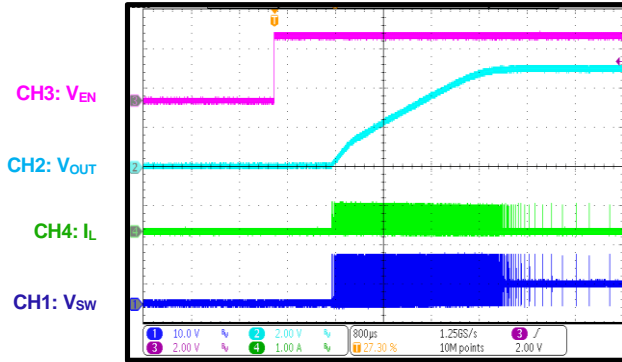
 I<sub>OUT</sub> = 3A


## TYPICAL PERFORMANCE CHARACTERISTICS (continued)

V<sub>IN</sub> = 12V, V<sub>OUT</sub> = 5V, f<sub>SW</sub> = 2.2MHz, L = 2.2μH, C<sub>OUT</sub> = 22μF x 2, T<sub>A</sub> = 25°C, unless otherwise noted.

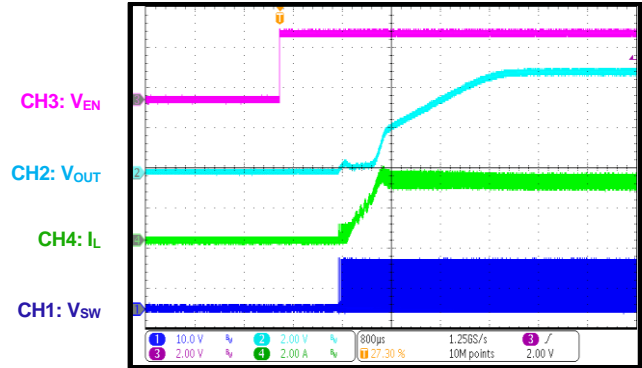
**Start-Up through EN**

I<sub>OUT</sub> = 0A



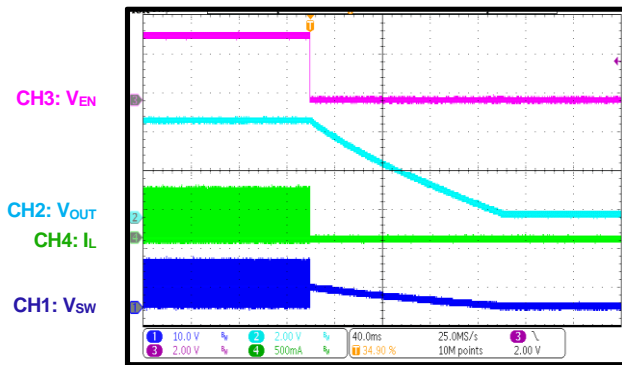
**Start-Up through EN**

I<sub>OUT</sub> = 3A



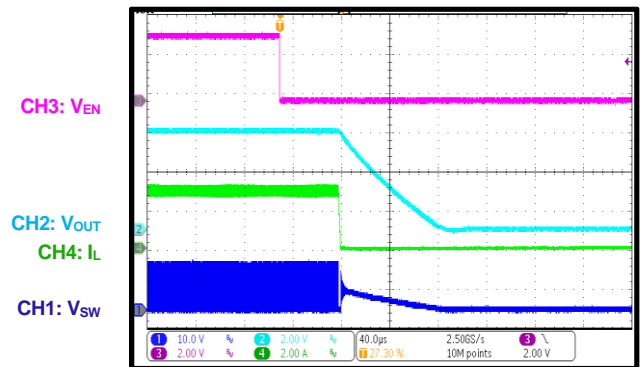
**Shutdown through EN**

I<sub>OUT</sub> = 0A



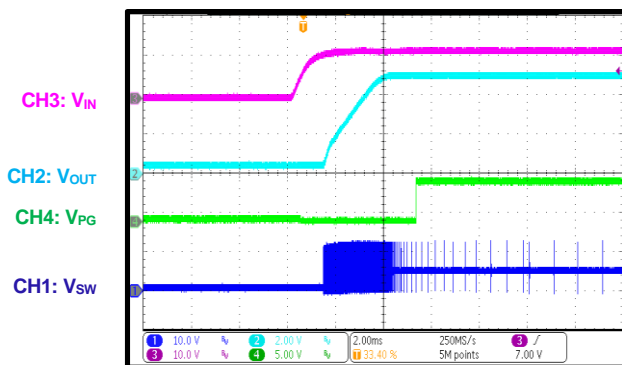
**Shutdown through EN**

I<sub>OUT</sub> = 3A



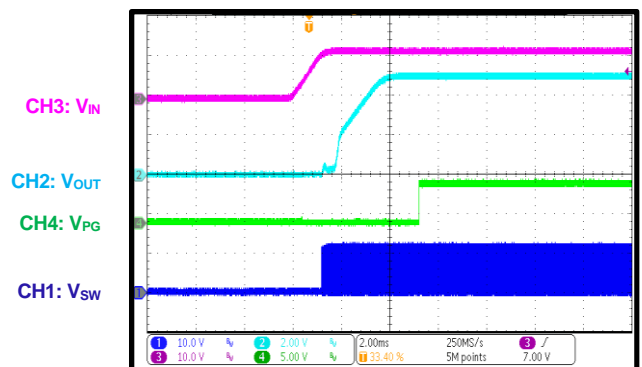
**PG Start-Up through VIN**

I<sub>OUT</sub> = 0A



**PG Start-Up through VIN**

I<sub>OUT</sub> = 3A

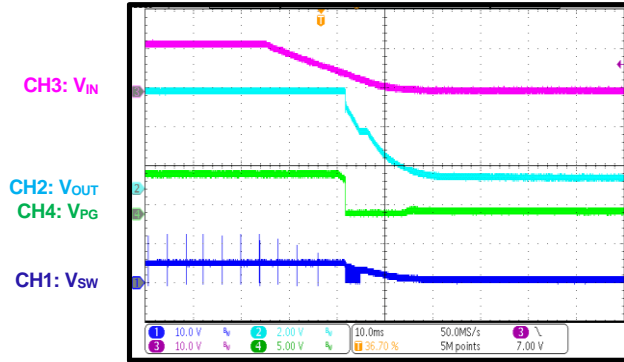


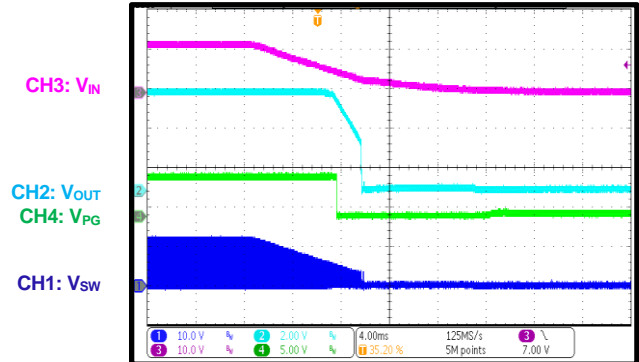


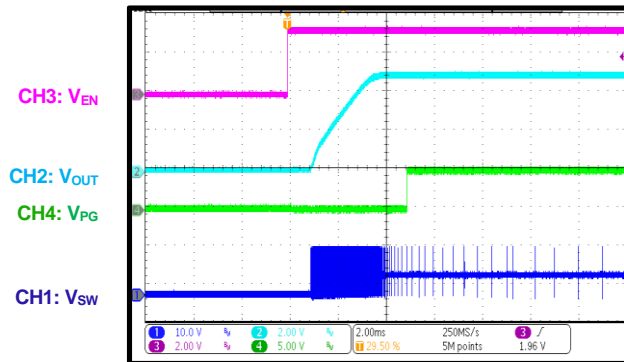
**TYPICAL PERFORMANCE CHARACTERISTICS (continued)**

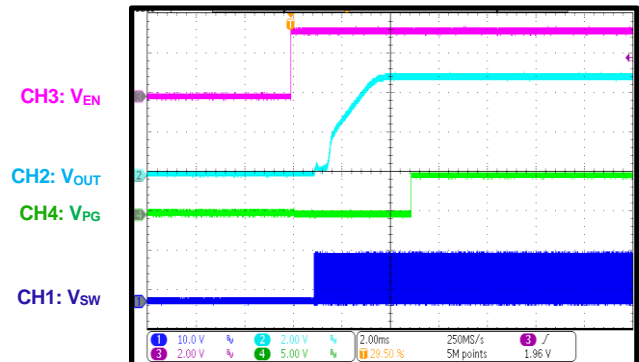
 V<sub>IN</sub> = 12V, V<sub>OUT</sub> = 5V, f<sub>SW</sub> = 2.2MHz, L = 2.2μH, C<sub>OUT</sub> = 22μF x 2, T<sub>A</sub> = 25°C, unless otherwise noted.

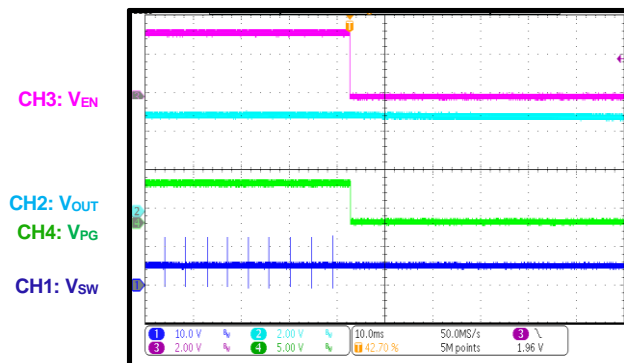
**PG Shutdown through VIN**

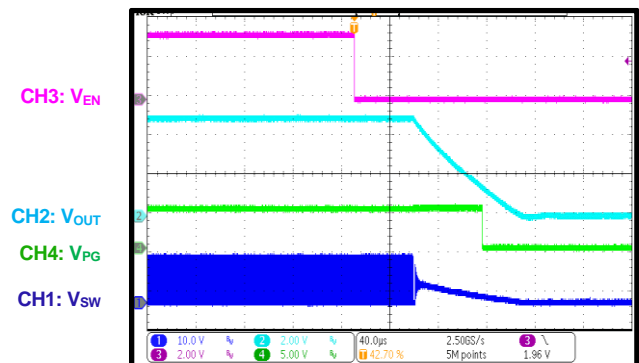
 I<sub>OUT</sub> = 0A

**PG Shutdown through VIN**

 I<sub>OUT</sub> = 3A

**PG Start-Up through EN**

 I<sub>OUT</sub> = 0A

**PG Start-Up through EN**

 I<sub>OUT</sub> = 3A

**PG Shutdown through EN**

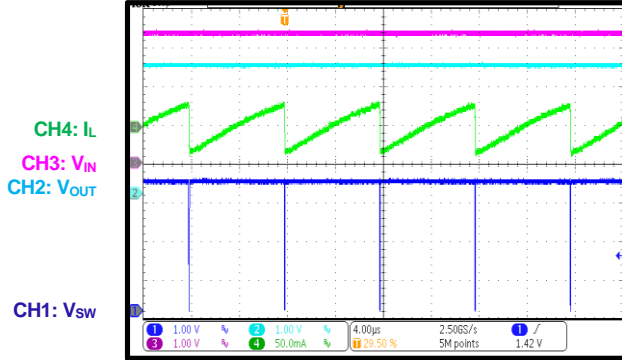
 I<sub>OUT</sub> = 0A

**PG Shutdown through EN**

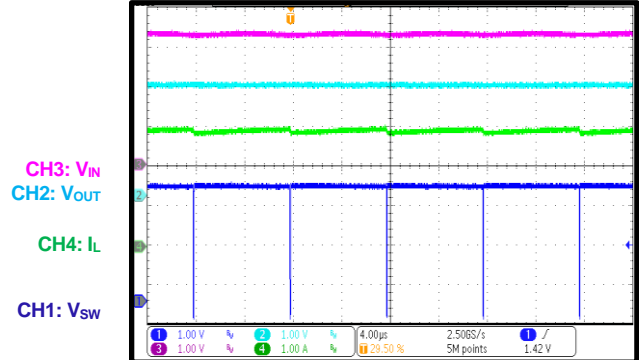
 I<sub>OUT</sub> = 3A


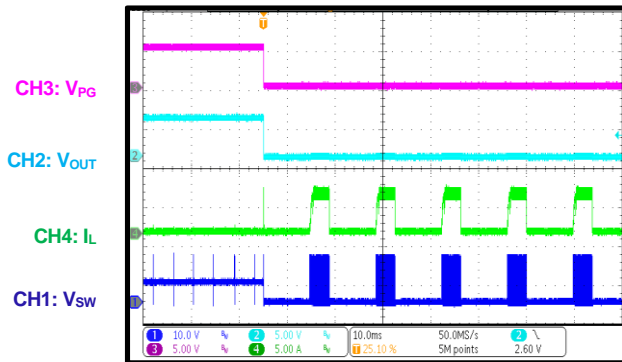
**TYPICAL PERFORMANCE CHARACTERISTICS (continued)**

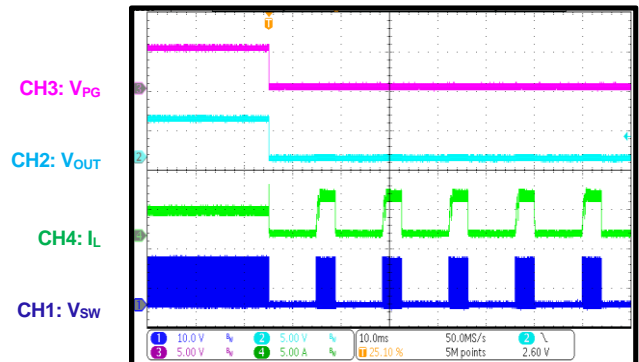
 V<sub>IN</sub> = 12V, V<sub>OUT</sub> = 5V, f<sub>SW</sub> = 2.2MHz, L = 2.2μH, C<sub>OUT</sub> = 22μF x 2, T<sub>A</sub> = 25°C, unless otherwise noted.

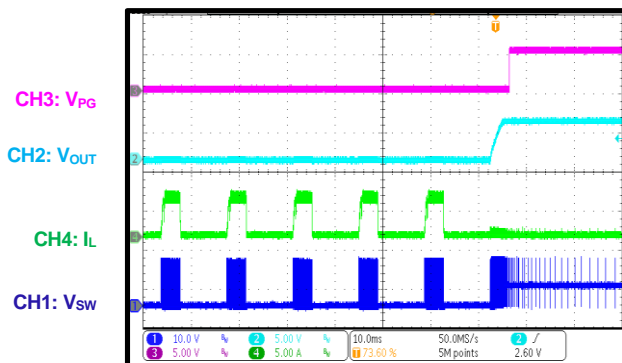
**Low-Dropout Mode**

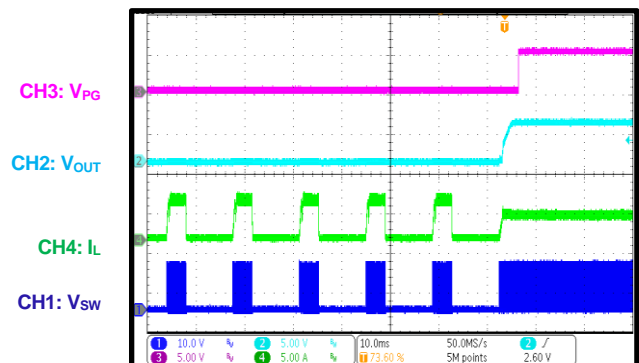
 I<sub>OUT</sub> = 0A, V<sub>IN</sub> = 3.3V

**Low-Dropout Mode**

 I<sub>OUT</sub> = 3A, V<sub>IN</sub> = 3.3V

**SCP Entry**

 I<sub>OUT</sub> = 0A

**SCP Entry**

 I<sub>OUT</sub> = 3A

**SCP Recovery**

 I<sub>OUT</sub> = 0A

**SCP Recovery**

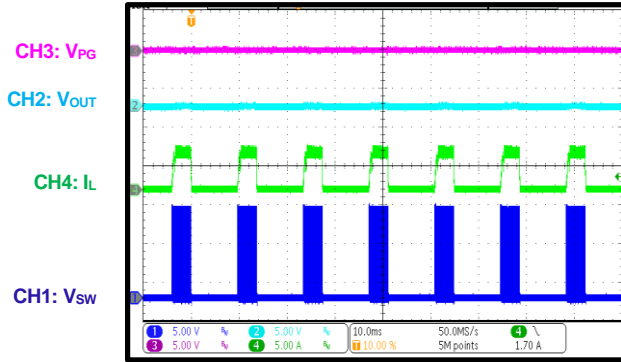
 I<sub>OUT</sub> = 3A


## TYPICAL PERFORMANCE CHARACTERISTICS (continued)

V<sub>IN</sub> = 12V, V<sub>OUT</sub> = 5V, f<sub>SW</sub> = 2.2MHz, L = 2.2μH, C<sub>OUT</sub> = 22μF x 2, T<sub>A</sub> = 25°C, unless otherwise noted.

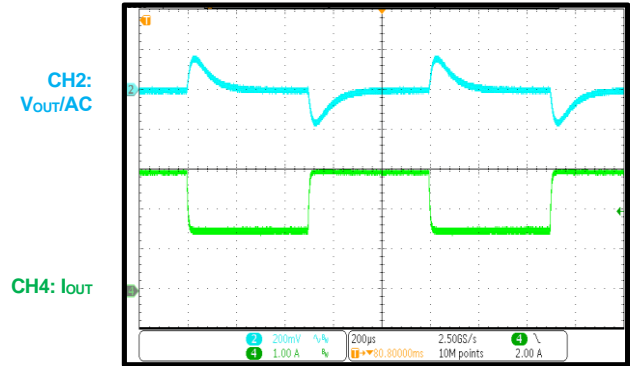
### SCP Steady State

I<sub>OUT</sub> = 0A



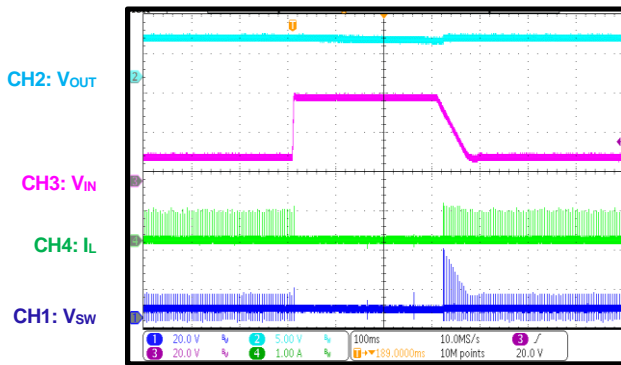
### Load Transient

I<sub>OUT</sub> = 1.5A to 3A, 1.6A/μs



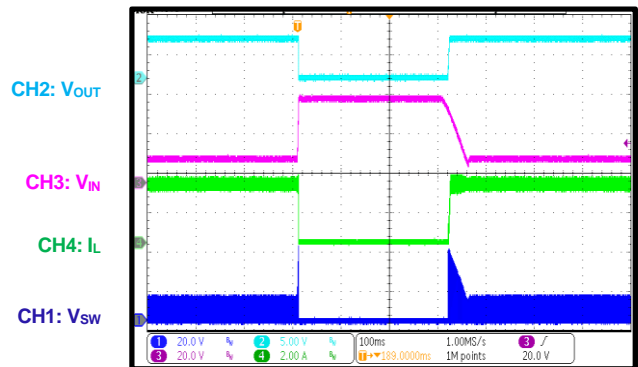
### Load Dump

V<sub>IN</sub> = 12V to 42V, I<sub>OUT</sub> = 0A



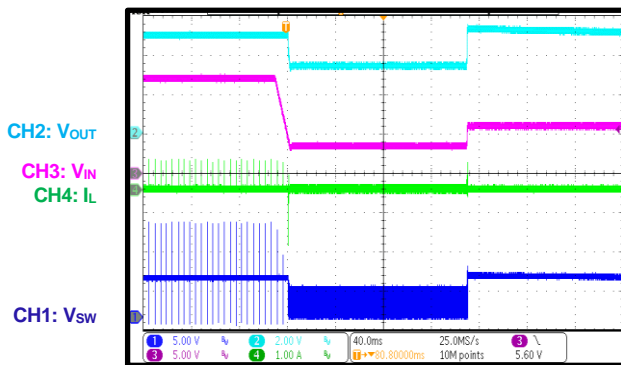
### Load Dump

V<sub>IN</sub> = 12V to 42V, I<sub>OUT</sub> = 3A



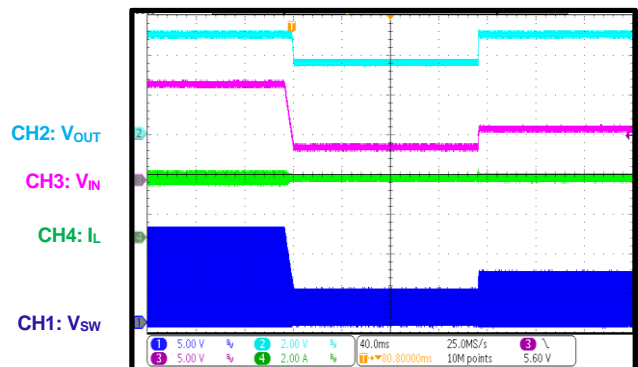
### Cold Crank

V<sub>IN</sub> = 12V to 3.3V to 6V, I<sub>OUT</sub> = 0A



### Cold Crank

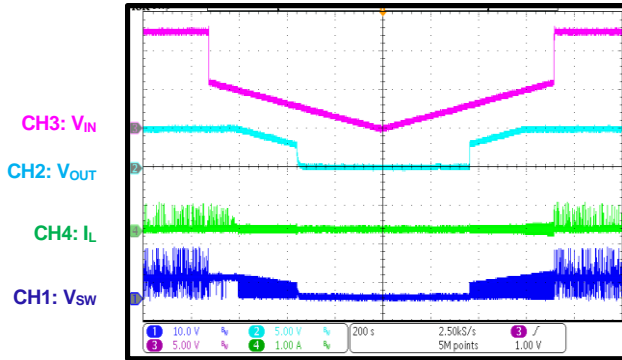
V<sub>IN</sub> = 12V to 3.3V to 6V, I<sub>OUT</sub> = 3A



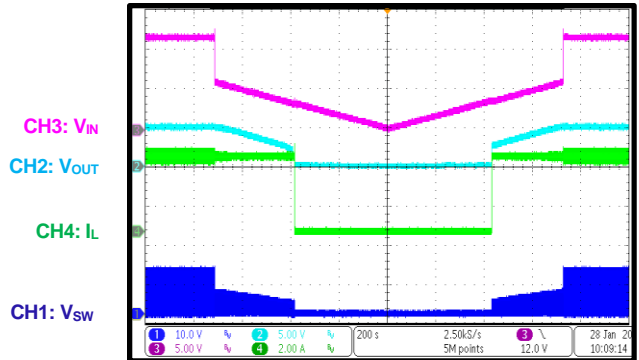
**TYPICAL PERFORMANCE CHARACTERISTICS (continued)**

V<sub>IN</sub> = 12V, V<sub>OUT</sub> = 5V, f<sub>SW</sub> = 2.2MHz, L = 2.2μH, C<sub>OUT</sub> = 22μF x 2, T<sub>A</sub> = 25°C, unless otherwise noted.

**V<sub>IN</sub> Ramps Down and Up**  
 V<sub>IN</sub> = 6V to 0V, 0.5V/min, I<sub>OUT</sub> = 0A



**V<sub>IN</sub> Ramps Down and Up**  
 V<sub>IN</sub> = 6V to 0V, 0.5V/min, I<sub>OUT</sub> = 3A



## FUNCTIONAL BLOCK DIAGRAMS

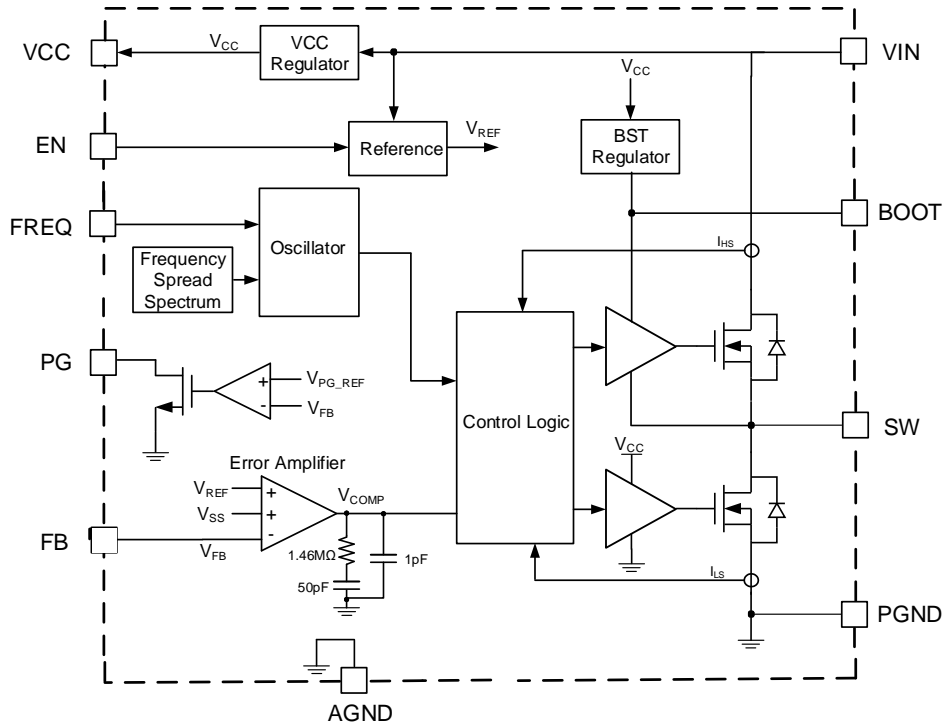


Figure 3: Functional Block Diagram (Adjustable Output)

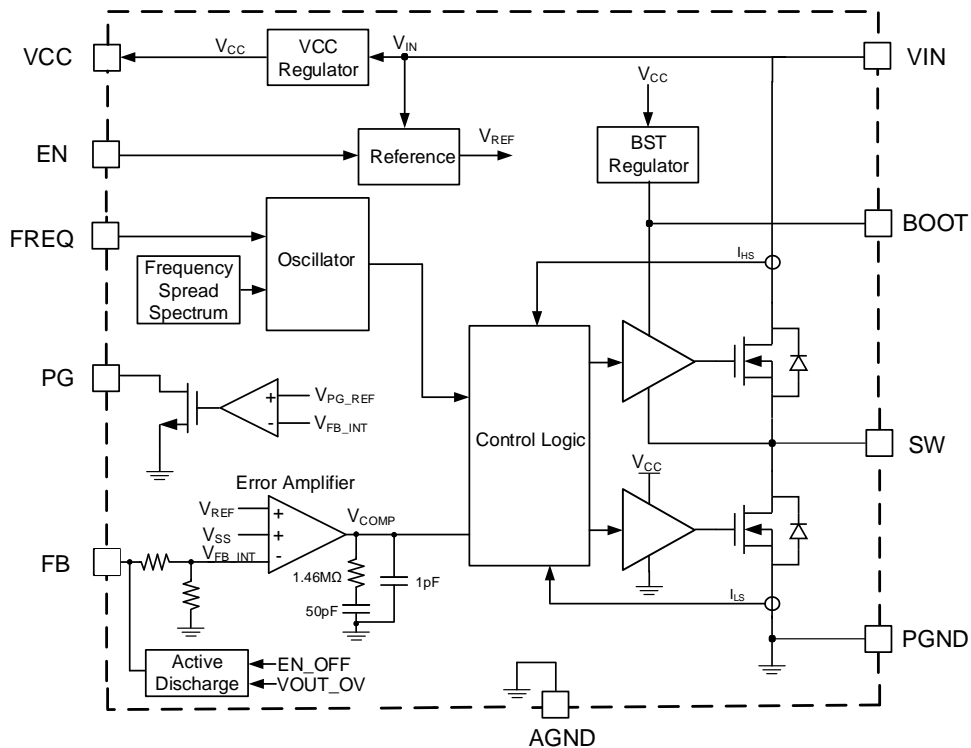


Figure 4: Functional Block Diagram (Fixed Output)

## OPERATION

The MPQ4323 is a synchronous, step-down switching regulator with integrated internal high-side and low-side power MOSFETs. The device provides 3A of highly efficient output current with peak current mode control.

The device features a wide input voltage range, configurable 350kHz to 2.5MHz switching frequency, internal soft start, and precision current limit. The MPQ4323's low operational quiescent current makes it well-suited for battery-powered applications.

### Pulse-Width Modulation (PWM) Control

At moderate to high output currents, the MPQ4323 operates with fixed-frequency, peak current mode control to regulate the output voltage. A PWM cycle is initiated by the internal clock. At the rising edge of the clock, the high-side power MOSFET (HS-FET) turns on and remains on until the control signal reaches the value set by the internal COMP voltage ( $V_{COMP}$ ).

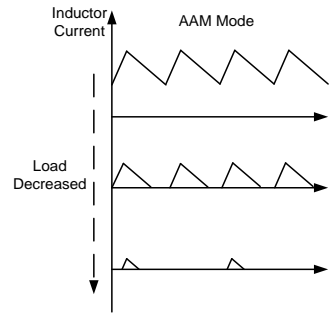
When the HS-FET is off, the low-side power MOSFET (LS-FET) turns on immediately, and stays on until the next cycle starts or the inductor current ( $I_L$ ) drops below the zero current detection (ZCD) threshold. The LS-FET remains off for at least the minimum off time before the next cycle starts.

If the current in the HS-FET cannot reach the value set by COMP within one PWM period, the HS-FET remains on and skips a turn-off operation. The HS-FET is forced off until it reached the value set by COMP, or its 7 $\mu$ s maximum on time is reached. This operation mode extends the duty cycle, which achieves a low dropout when  $V_{IN}$  is almost equal to the output voltage ( $V_{OUT}$ ).

### Light-Load Operation

The MPQ4323 works in advanced asynchronous mode (AAM) to optimize efficiency under light-load and no-load conditions.

When the inductor current approaches 0A under light loads, the MPQ4323 first initiates asynchronous operation. If the load is further decreased, and  $V_{COMP}$  drops below the set value, the MPQ4323 enters AAM (see Figure 5).



**Figure 5: AAM Operation**

In AAM, the internal clock is reset every time  $V_{COMP}$  crosses over the set value, and the crossover time is used as a benchmark for the next clock. When the load increases and  $V_{COMP}$  exceeds the set value, the device operates in continuous conduction mode (CCM) or discontinuous conduction mode (DCM) with a constant switching frequency.

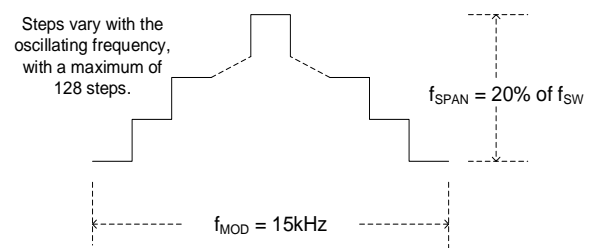
### Error Amplifier (EA)

The error amplifier compares the FB pin's voltage ( $V_{FB}$ ) with the internal reference (0.8V) and outputs a current proportional to the difference between the two values. This output current is then used to charge the compensation network to form  $V_{COMP}$ , which provides the error that controls the power MOSFET's duty cycle.

During normal operation, the minimum  $V_{COMP}$  is clamped to 0.9V, and the maximum  $V_{COMP}$  is clamped to 2.0V. COMP is internally pulled down to GND in shutdown mode.

### Frequency Spread Spectrum (FSS)

The MPQ4323 uses a 15kHz modulation frequency with a maximum 128-step triangular profile to spread the internal oscillator frequency across a 20% ( $\pm 10\%$ ) window. The steps vary with the set oscillator frequency to ensure that the exact switching frequency steps cycle by cycle (see Figure 6).



**Figure 6: Frequency Spread Spectrum**

Side bands are created by modulating the switching frequency with the triangle modulation waveform. The emission power of the fundamental switching frequency and its harmonics is reduced. This significantly reduces the peak EMI noise.

### Soft Start (SS)

Soft start is implemented to prevent the converter output voltage from overshooting during start-up. The soft-start time is fixed internally.

When the soft-start period starts, the soft-start voltage ( $V_{SS}$ ) rises from 0V to 1.2V with a specific slew rate. When  $V_{SS}$  is lower than the internal 0.8V reference voltage ( $V_{REF}$ ),  $V_{SS}$  overrides  $V_{REF}$ , and the error amplifier uses  $V_{SS}$  as the reference. When  $V_{SS}$  exceeds  $V_{REF}$ , the error amplifier uses  $V_{REF}$  as the reference.

### Pre-Biased Start-Up

If  $V_{FB}$  exceeds  $V_{SS}$  during start-up, this means that the output has a pre-biased voltage. Neither the HS-FET nor LS-FET turn on until  $V_{SS}$  exceeds  $V_{FB}$ .

### Thermal Shutdown

Thermal shutdown is implemented to prevent the chip from thermal runaway. If the silicon die

temperature rises above its upper threshold (about 175°C), the device shuts down the power MOSFETs. If the temperature drops below its lower threshold (about 155°C), the thermal shutdown condition is removed, and the chip is enabled again.

### Start-Up and Shutdown

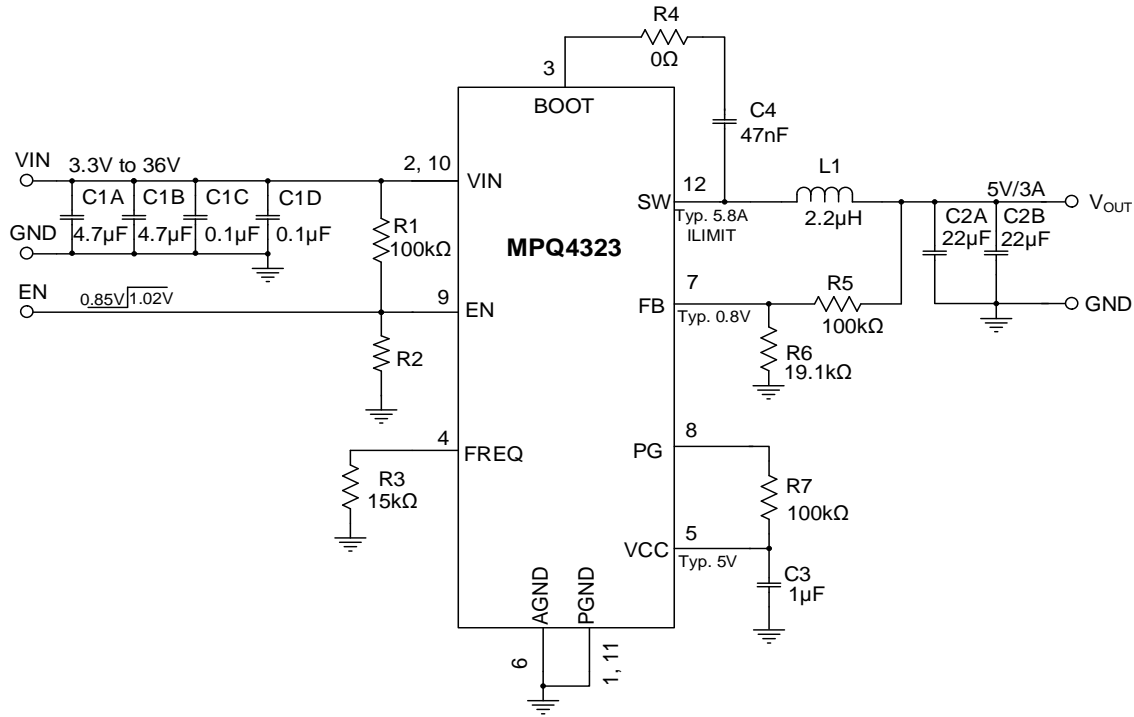
If both  $V_{IN}$  and EN exceeds their appropriate thresholds, the chip starts up. The reference block starts first, generating a stable reference voltage and currents, and then the internal regulator is enabled. The regulator provides a stable supply for the remaining circuitries.

When the internal supply rail is up, the internal circuits start to work. If BOOT does not reach its refresh rising threshold (about 2.5V), the LS-FET turns on to charge BOOT. The HS-FET stays off during this time. When the soft-start block is enabled,  $V_{OUT}$  starts to ramp up slowly.  $V_{OUT}$  smoothly reaches its target within 5ms.

Three events shut down the chip: EN going low,  $V_{IN}$  falling below its UVLO threshold, and thermal shutdown. During shutdown, the signaling path is blocked first to avoid any fault triggering. Then the COMP voltage is pulled down, and the floating driver works to disable the HS-FET.

## APPLICATION INFORMATION

Figure 7 shows the MPQ4323's typical application circuit.



**Figure 7: Typical Application Circuit ( $V_{OUT} = 5V$ ,  $f_{sw} = 2.2MHz$ )**

**Table 1: Design Guide Index**

Pin #	Pin Name	Component	Design Guide Index
1, 11	PGND	-	Ground connection (PGND, pin 1, pin 6, and pin 11)
2, 10	VIN	C1A, C1B, C1C, C1D	Selecting the input capacitors (VIN, pin 2, and pin 10)
3	BOOT	R4, C4	Floating driver and bootstrap charging (BOOT, pin 3)
4	FREQ	R3	Setting the switching frequency (FREQ, pin 4)
5	VCC	C3	Setting the internal $V_{CC}$ (VCC, pin 5)
6	AGND	-	Ground connection (AGND, pin 1, pin 6, and pin 11)
7	FB	R5, R6	Feedback (FB, pin 7)
8	PG	R7	Power good indication (PG, pin 8)
9	EN	R1, R2	Enable and configuring UVLO (EN, pin 9)
12	SW	L1, C2A, C2B	Selecting the inductor and output capacitors (SW, pin 12)



### Selecting the Input Capacitors (VIN, Pin 2 and Pin 10)

The step-down converter has a discontinuous input current, and requires a capacitor to supply AC current to the converter while maintaining the DC input voltage. For the best performance, use low-ESR capacitors. Ceramic capacitors with X5R or X7R dielectrics are highly recommended because of their low ESR and small temperature coefficients.

For most applications, use a 4.7µF to 10µF capacitor. It is strongly recommended to use an additional lower-value capacitor (e.g. 0.1µF) with a small package size (0603) to absorb high-frequency switching noise. Place the smaller capacitor as close to VIN and GND as possible.

Since the input capacitor (C<sub>IN</sub>) absorbs the input switching current, it requires an adequate ripple current rating. The RMS current in the input capacitor can be estimated with Equation (1):

$$I_{CIN} = I_{LOAD} \times \sqrt{\frac{V_{OUT}}{V_{IN}} \times \left(1 - \frac{V_{OUT}}{V_{IN}}\right)} \quad (1)$$

The worst-case condition occurs at V<sub>IN</sub> = 2 × V<sub>OUT</sub>, calculated with Equation (2):

$$I_{CIN} = \frac{I_{LOAD}}{2} \quad (2)$$

For simplification, choose an input capacitor with an RMS current rating greater than half of the maximum load current. The input capacitor can be electrolytic, tantalum, or ceramic. When using electrolytic or tantalum capacitors, add a small, high-quality ceramic capacitor (e.g. 0.1µF) as close to the IC as possible. When using ceramic capacitors, ensure that they have enough capacitance to provide a sufficient charge to prevent excessive voltage ripple at the input. The input voltage ripple caused by the capacitance can be estimated with Equation (3):

$$\Delta V_{IN} = \frac{I_{LOAD}}{f_{SW} \times C_{IN}} \times \frac{V_{OUT}}{V_{IN}} \times \left(1 - \frac{V_{OUT}}{V_{IN}}\right) \quad (3)$$

### V<sub>IN</sub> Over-Voltage Protection (OVP)

The MPQ4323 stops switching when V<sub>IN</sub> rises above its over-voltage rising threshold (typically 37.5V). The device resumes normal regulation and switching when V<sub>IN</sub> drops below the over-voltage falling threshold (typically 36.5V).

### Floating Driver and Bootstrap Charging (BOOT, Pin 3)

The BOOT capacitor (C4) is recommended to be between 22nF and 100nF.

It is not recommended to place a resistor (R<sub>BOOT</sub>) in series with the BOOT capacitor (C<sub>BOOT</sub>), unless there is a strict EMI requirement. R<sub>BOOT</sub> reduces EMI and voltage stress at high input voltages; however, it also generates additional power consumption and reduces efficiency. If necessary, choose R<sub>BOOT</sub> to be below 4Ω.

The voltage between BOOT and SW (V<sub>BOOT-SW</sub>) is regulated to about 5V by the dedicated internal bootstrap regulator. When V<sub>BOOT-SW</sub> is below its regulated value, a N-channel MOSFET pass transistor connected from VCC to BOOT turns on to charge the bootstrap capacitor (C<sub>BOOT</sub>). The external circuit should provide enough voltage headroom to facilitate the charging. When the high-side MOSFET (HS-FET) is on, the BOOT voltage exceeds the VCC voltage, so the bootstrap capacitor cannot be charged.

Under conditions with higher duty cycles, the time available for bootstrap charging is shorter, so the bootstrap capacitor may not be charged sufficiently. In this case, the external circuit has insufficient voltage and time to charge the bootstrap capacitor. External circuitry can be used to ensure that the bootstrap voltage remains in the normal operation region.

If the bootstrap voltage reaches its under-voltage lockout (UVLO) threshold, the HS-FET turns off, and the LS-FET turns on with a minimum off time to refresh the bootstrap voltage with the set f<sub>SW</sub>.

### Setting the Switching Frequency (f<sub>SW</sub>) (FREQ, Pin 4)

A resistor (R3) can set the switching frequency (see Table 2 on page 34 and the f<sub>SW</sub> vs. R<sub>FREQ</sub> curves on page 18).

The MPQ4323 oscillating frequency can be configured by an external resistor (R<sub>FREQ</sub>) connected from the FREQ pin to ground. The frequency resistor should be located between the FREQ pin and GND, placed as close as possible to the device. Table 2 shows the relationship between the oscillator frequency and R<sub>FREQ</sub>.

**Table 2: f<sub>SW</sub> vs. R<sub>FREQ</sub>**

R <sub>FREQ</sub> (kΩ)	f <sub>SW</sub> (kHz)	R <sub>FREQ</sub> (kΩ)	f <sub>SW</sub> (kHz)
100	355	30.1	1150
93.1	385	26.1	1300
86.6	415	22.6	1450
80.6	450	20.5	1600
75	480	19.6	1750
68.1	520	17.8	1900
59	600	16.2	2050
51.1	700	15	2200
40.2	850	14.3	2350
34.8	1000	13.3	2500

It is not possible to have both a high switching frequency and input voltage due to the HS-FET's limited minimum on time. The MPQ4323 control loop automatically sets the maximum possible f<sub>SW</sub> to the set frequency, which also reduces excessive power loss. V<sub>OUT</sub> is regulated by varying the duration of the HS-FET's switch off time, which automatically reduces f<sub>SW</sub>.

The device is guaranteed to comply with the HS-FET's minimum on time. An advantage of this method is that the device works at the target f<sub>SW</sub> for as long as possible, and f<sub>SW</sub> only changes when the device operates at high input voltages. For more details, see the f<sub>SW</sub> vs. V<sub>IN</sub> curve on page 18. In this scenario, R<sub>FREQ</sub> = 15kΩ, and V<sub>OUT</sub> = 3.3V.

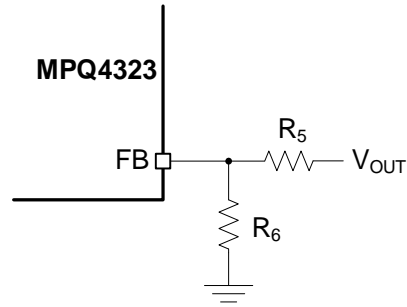
### Selecting the Internal VCC Capacitor (VCC, Pin 5)

The VCC capacitor (C3) is recommended to be 1μF.

Most of the internal circuitry is powered by the internal 5V VCC regulator. This regulator uses V<sub>IN</sub> as its input and operates across the full V<sub>IN</sub> range. When V<sub>IN</sub> exceeds 5V, VCC is in full regulation. When V<sub>IN</sub> drops below 5V, the VCC output degrades.

### Feedback (FB, Pin 7)

The feedback voltage is typically 0.8V, and its output can be adjusted. The external resistor divider connected to FB sets the output voltage (see Figure 8).


**Figure 8: FB Network with Adjustable Output**

Calculate R<sub>6</sub> with Equation (4):

$$R_6 = \frac{R_5}{\frac{V_{OUT}}{0.8V} - 1} \quad (4)$$

For a fixed output, the FB resistor divider is integrated internally. This means that FB should be directly connected to the output to set the output voltage. The following fixed outputs can be selected: 1V, 1.8V, 2.5V, 3.0V, 3.3V, 3.8V, and 5V (see Figure 9).

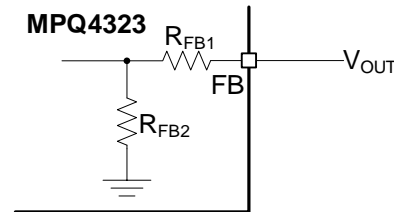

**Figure 9: FB Network with Fixed Output**

Table 3 shows the relationship between the internal R<sub>FB</sub> and V<sub>OUT</sub>.

**Table 3: R<sub>FB</sub> vs. V<sub>OUT</sub>**

V <sub>OUT</sub> (V)	R <sub>FB1</sub> (kΩ)	R <sub>FB2</sub> (kΩ)
1	64	256
1.8	320	256
2.5	544	256
3.0	704	256
3.3	800	256
3.8	960	256
5	1344	256

### Power Good Indication (PG, Pin 8)

The PG resistor (R7) should have a resistance (R<sub>PG</sub>) that is about 100kΩ.

The MPQ4323 includes an open-drain power good (PG) output that indicates whether the regulator output is within the specific window of its nominal value.

If using PG, connect it to a logic high level power source (e.v. 3.3V) via a pull-up resistor. PG goes high if the output voltage is within 94.5% to 105.5% of the nominal voltage; PG goes low if the output voltage is above 107% or below 93% of the nominal voltage. Float PG if it is not used.

### Enable and Under-Voltage Lockout (UVLO) Protection (EN, Pin 9)

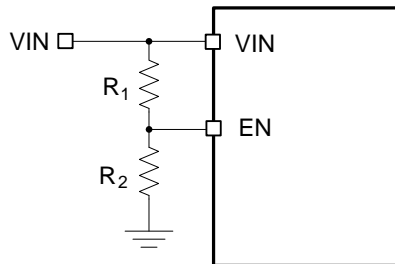
EN is a digital control pin that turns the regulator on and off.

#### Enabled via External Logic High/Low Signal

When the EN voltage reaches 0.7V, BG does not turn on until V<sub>IN</sub> exceeds 2.7V. BG then provides an accurate reference voltage for the EN threshold. Forcing EN above its rising threshold (about 1.02V) turns the device on. Turn the device off by driving EN below 0.85V. There is no internal pull-up or pull-down resistor connected to the EN pin, so do not float EN. An external pull-up or pull-down resistor is required if the control signal cannot give an accurate high or low logic.

#### Configurable V<sub>IN</sub> UVLO Protection

The MPQ4323 has an internal, fixed under-voltage lockout (UVLO) threshold. The rising threshold is 3.65V, while the falling threshold is about 2.9V. For applications that require a higher UVLO point, an external resistor divider can be placed between V<sub>IN</sub> and EN to achieve a higher equivalent UVLO threshold (see Figure 10).



**Figure 10: Configurable UVLO via the EN Divider**

The UVLO rising threshold can be calculated with Equation (5):

$$INUV_{RISING} = \left(1 + \frac{R_1}{R_2}\right) \times V_{EN\_RISING} \quad (5)$$

Where V<sub>EN\_RISING</sub> is 1.02V.

The UVLO falling threshold can be calculated with Equation (6):

$$INUV_{FALLING} = \left(1 + \frac{R_1}{R_2}\right) \times V_{EN\_FALLING} \quad (6)$$

Where V<sub>EN\_FALLING</sub> is 0.85V.

If EN is not used to control when the device turns on and off, connect EN to a high voltage source (e.g. V<sub>IN</sub>) to turn the device on by default.

### Selecting the Inductor and Output Capacitors (SW, Pin 12)

The inductor (L<sub>1</sub>) value can be estimated with Equation (7):

$$L_1 = \frac{V_{OUT}}{f_{SW} \times \Delta I_L} \times \left(1 - \frac{V_{OUT}}{V_{IN}}\right) \quad (7)$$

Where ΔI<sub>L</sub> is the peak-to-peak inductor ripple current.

A 1μH to 10μH inductor with a DC current rating at least 25% higher than the maximum load current is recommended for most applications. For higher efficiency, choose an inductor with a lower DC resistance. A larger-value inductor results in less ripple current and a lower output ripple voltage, but also has a larger physical size, higher series resistance, and lower saturation current. A good rule to determine the inductor value is to allow the inductor ripple current to be approximately 30% of the maximum load current.

The peak inductor current (I<sub>LP</sub>) can be calculated with Equation (8)

$$I_{LP} = I_{LOAD} + \frac{V_{OUT}}{2f_{SW} \times L} \times \left(1 - \frac{V_{OUT}}{V_{IN}}\right) \quad (8)$$

Choose an inductor that does not saturate under the peak inductor current.

The output voltage ripple can be estimated with Equation (9):

$$\Delta V_{OUT} = \frac{V_{OUT}}{f_{SW} \times L} \times \left(1 - \frac{V_{OUT}}{V_{IN}}\right) \times \left(R_{ESR} + \frac{1}{8f_{SW} \times C_{OUT}}\right) \quad (9)$$

Where L is the inductor value, and R<sub>ESR</sub> is the output capacitor's equivalent series resistance (ESR). The output capacitor (C<sub>OUT</sub>) maintains the DC output voltage. Use ceramic, tantalum, or

low-ESR electrolytic capacitors. For the best results, use low-ESR capacitors to keep the output voltage ripple low.

For ceramic capacitors, the capacitance dominates the impedance at the switching frequency and causes the majority of the output voltage ripple. For simplification, the output voltage ripple can be calculated with Equation (10):

$$\Delta V_{OUT} = \frac{V_{OUT}}{8 \times f_{SW}^2 \times L \times C_{OUT}} \times \left(1 - \frac{V_{OUT}}{V_{IN}}\right) \quad (10)$$

For tantalum or electrolytic capacitors, the ESR dominates the impedance at the switching frequency. For simplification, the output voltage ripple can be estimated with Equation (11):

$$\Delta V_{OUT} = \frac{V_{OUT}}{f_{SW} \times L} \times \left(1 - \frac{V_{OUT}}{V_{IN}}\right) \times R_{ESR} \quad (11)$$

When selecting an output capacitor, consider the allowable overshoot in  $V_{OUT}$  if the load is suddenly removed. In this scenario, energy stored in the inductor is transferred to  $C_{OUT}$ , causing its voltage to rise. To achieve an optimal overshoot relative to the regulated voltage, the output capacitance can be estimated with Equation (12):

$$C_{OUT} = \frac{I_{OUT}^2 \times L}{V_{OUT}^2 \times \left(\left(\frac{V_{OUTMAX}}{V_{OUT}}\right)^2 - 1\right)} \quad (12)$$

Where  $V_{OUTMAX}/V_{OUT}$  is the allowable maximum overshoot. After calculating the capacitance that meets both the ripple and overshoot requirements, choose the larger capacitance value.

The characteristics of the output capacitor also affect the stability of the regulation system. The MPQ4323 can be optimized for a wide range of capacitance and ESR values.

### Peak and Valley Current Limits

Both the HS-FET and LS-FET have cycle-by-cycle current-limit protection. When the inductor current ( $I_L$ ) reaches the high-side peak current limit (typically 5.8A) while the HS-FET is on, the HS-FET is forced off immediately to prevent the current from rising further.

When the LS-FET is on, the next clock's rising edge is held until  $I_L$  drops below the low-side valley current limit (typically 4.4A). Then  $I_L$  can drop to a sufficiently low value when the HS-FET turns on again. This current limit scheme prevents current runaway if an overload or short-circuit event occurs.

### Short-Circuit Protection (SCP)

If the output is shorted to ground, and the output voltage drops below 70% of its nominal output, the MPQ4323 shuts down and begins discharging  $V_{SS}$ . The device restarts with a full soft start when  $V_{SS}$  is fully discharged. This hiccup process is repeated until the fault is removed.

### Output Over-Voltage Protection (OVP) and Discharge

The MPQ4323 stops switching if the output voltage exceeds 130% of its nominal regulation value. Then an internal 75Ω discharge path from FB to GND is activated to discharge  $V_{OUT}$ . This discharge path only can be activated if the output is fixed. The part resumes switching when  $V_{OUT}$  drops back to 125% of its nominal value, and then the discharge path is disabled.

For a fixed output, the  $V_{OUT}$  discharge path is also activated if an EN shutdown occurs while VCC exceeds its UVLO threshold. When VCC drops to its UVLO threshold, this path is deactivated.

### Ground Connection (Pins 1, 6, and 11)

See the PCB Layout Guidelines on page 37 for more details.

**PCB Layout Guidelines** <sup>(13)</sup>

Efficient PCB layout, especially input capacitor placement, is critical for stable operation. A 4-layer layout is strongly recommended to improve thermal performance. For the best results, refer to Figure 11 and follow the guidelines below:

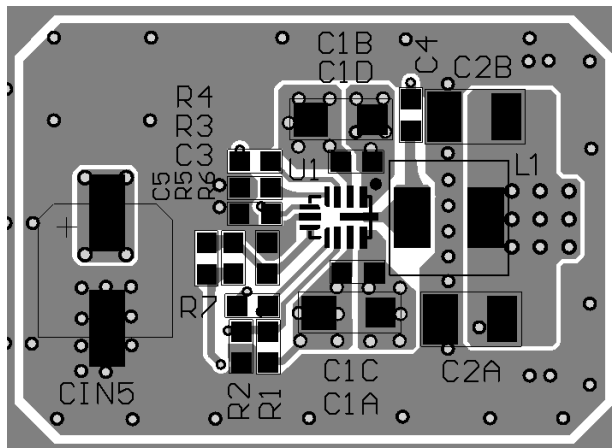
1. Place symmetric input capacitors as close to VIN and GND as possible.
2. Use a large ground plane to connect directly to PGND.
3. Add vias near PGND if the bottom layer is a ground plane.
4. Ensure that the high-current paths at GND and VIN have short, direct and wide traces.
5. Place the ceramic input capacitor, especially the small package size (0603) input bypass

capacitor, as close to VIN and PGND as possible to minimize high-frequency noise.

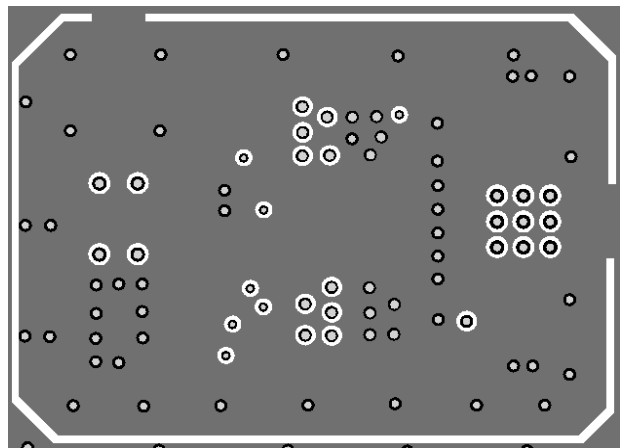
6. Keep the connection between the input capacitor and VIN as short and wide as possible.
7. Place the VCC capacitor as close to VCC and AGND as possible.
8. Route SW and BOOT away from sensitive analog areas, such as FB.
9. Place the feedback resistors close to the chip to ensure the trace that connects to FB is as short as possible.
10. Use multiple vias to connect the power planes to the internal layers.

**Note:**

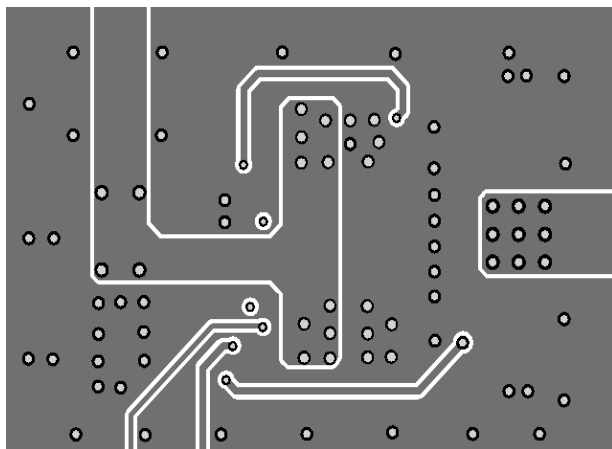
13) The recommended PCB layout is based on Figure 7.



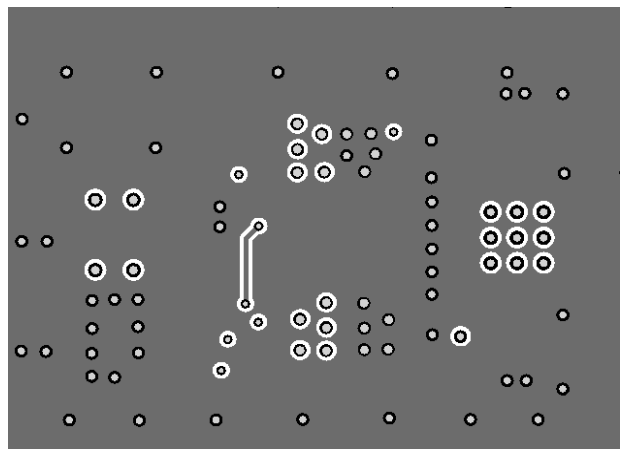
**Top Silk and Top Layer**



**Mid-Layer 1**



**Mid-Layer 2**



**Bottom Layer and Bottom Silk**

**Figure 11: Recommended PCB Layout**

## TYPICAL APPLICATION CIRCUITS

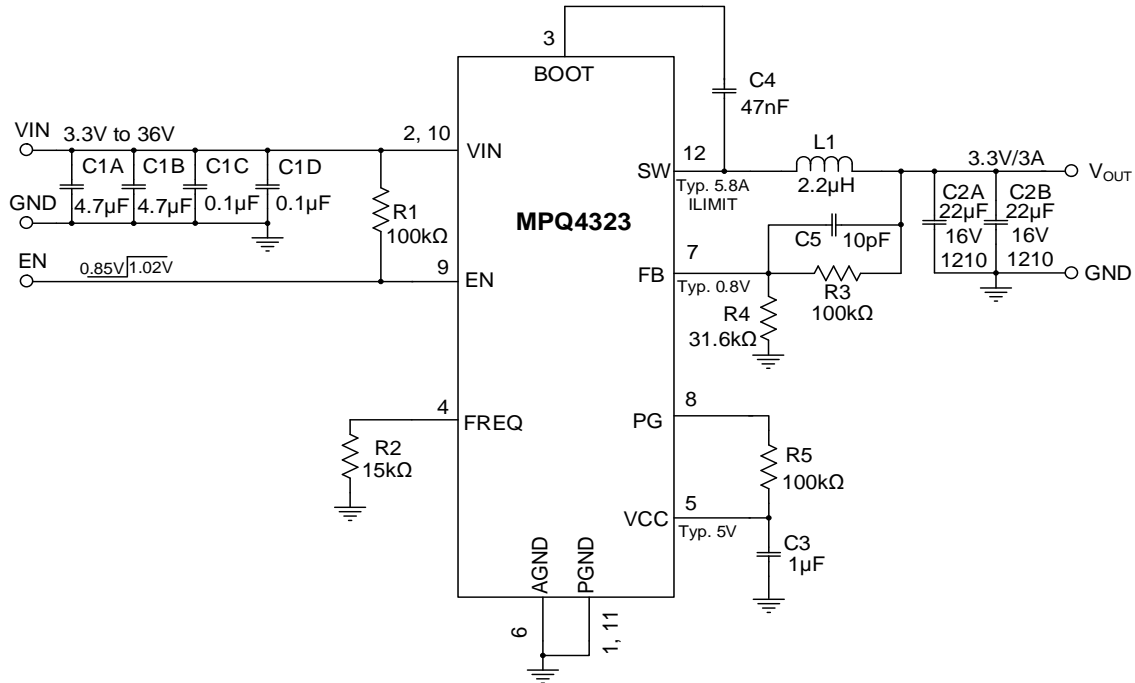


Figure 12: Typical Application Circuit ( $V_{OUT} = 3.3V$ ,  $f_{sw} = 2.2MHz$ )

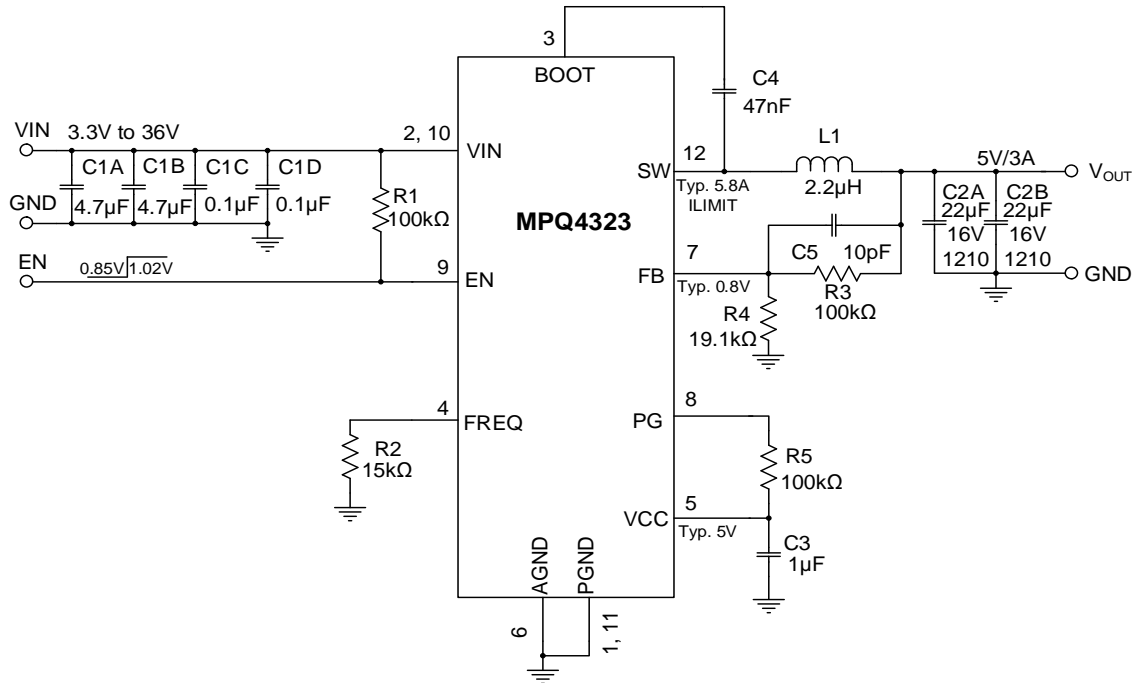


Figure 13: Typical Application Circuit ( $V_{OUT} = 5V$ ,  $f_{sw} = 2.2MHz$ )

TYPICAL APPLICATION CIRCUITS (continued)

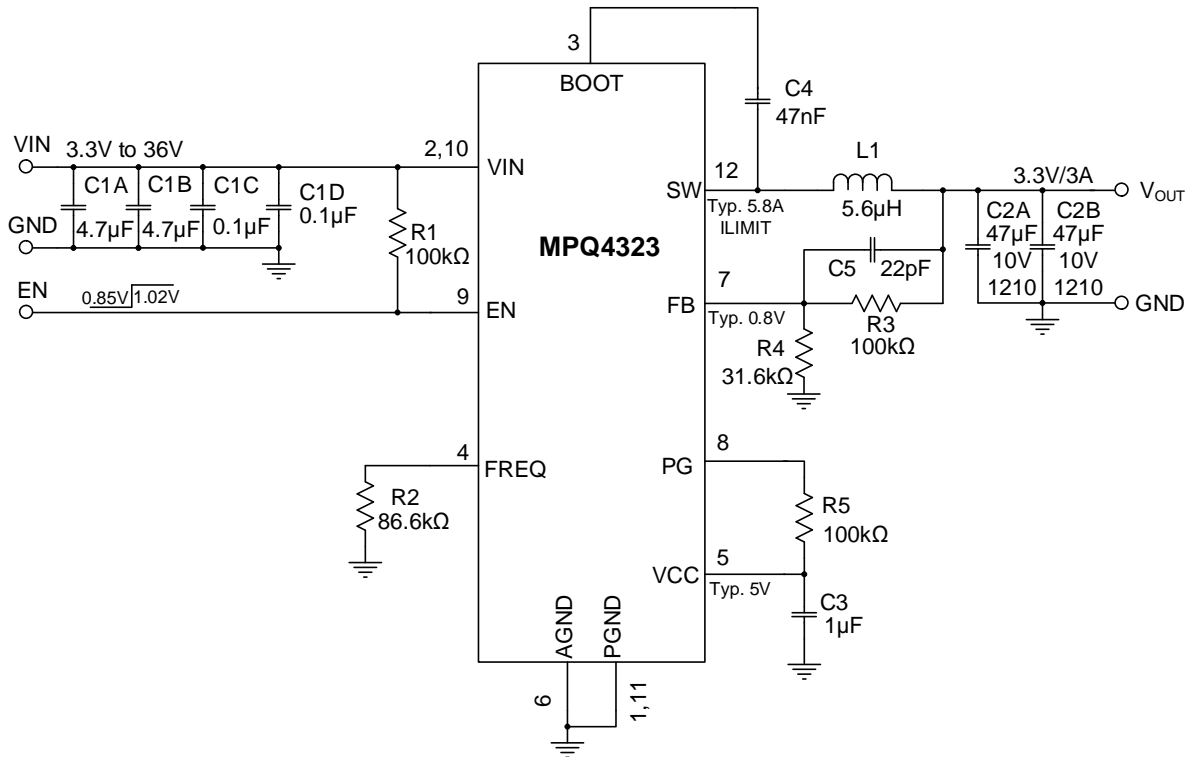


Figure 14: Typical Application Circuit ( $V_{OUT} = 3.3V$ ,  $f_{sw} = 415kHz$ )

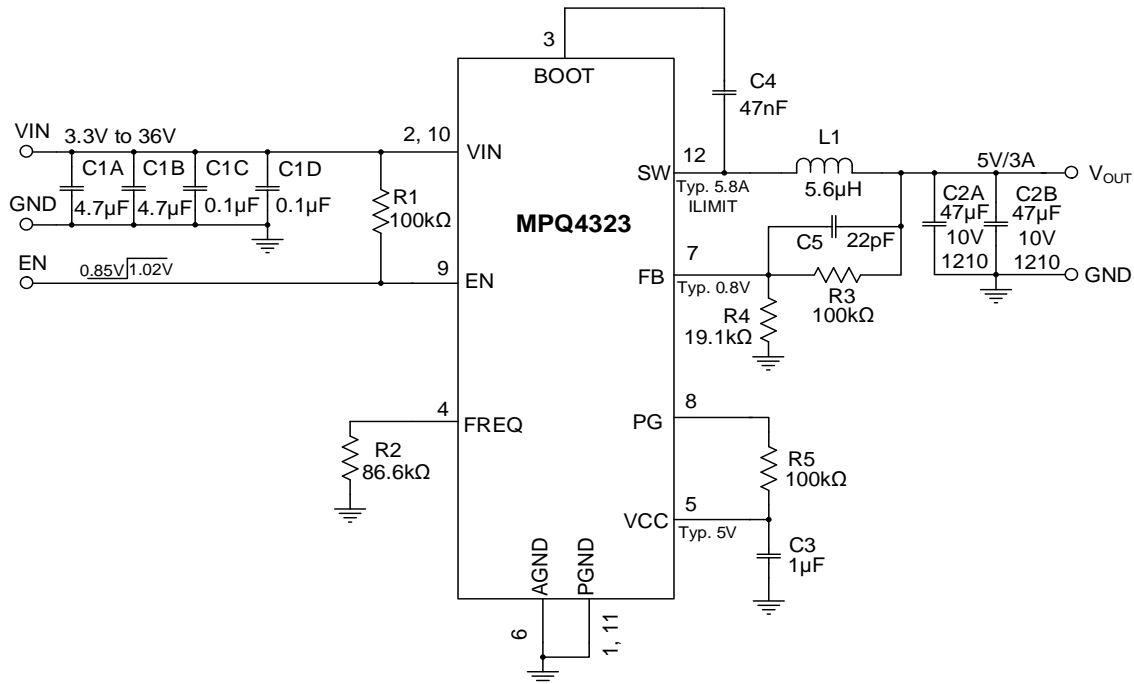


Figure 15: Typical Application Circuit ( $V_{OUT} = 5V$ ,  $f_{sw} = 415kHz$ )

TYPICAL APPLICATION CIRCUITS (continued)

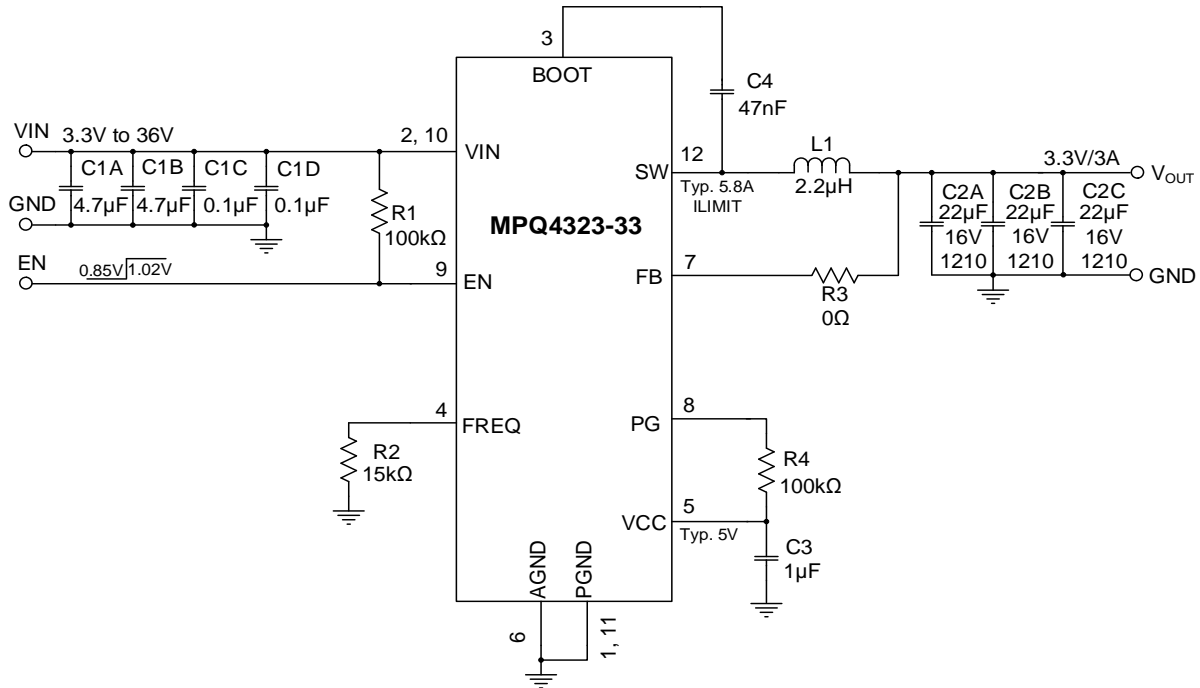


Figure 16: Typical Application Circuit (3.3V Fixed Output, f<sub>sw</sub> = 2.2MHz)

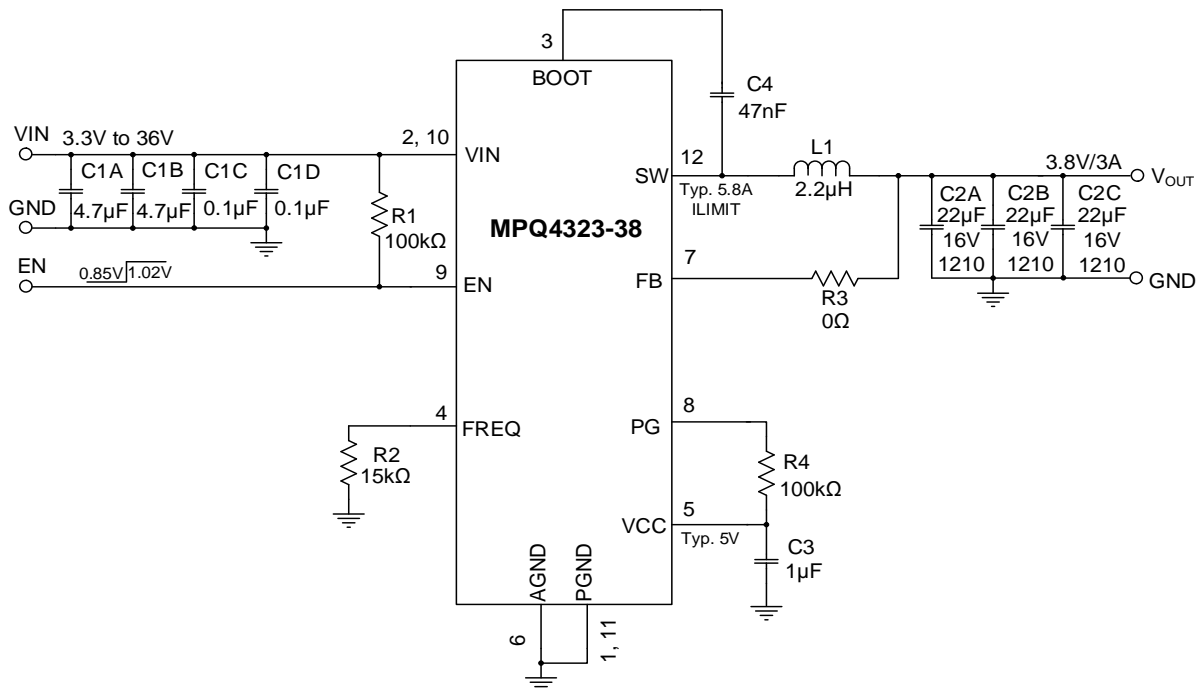
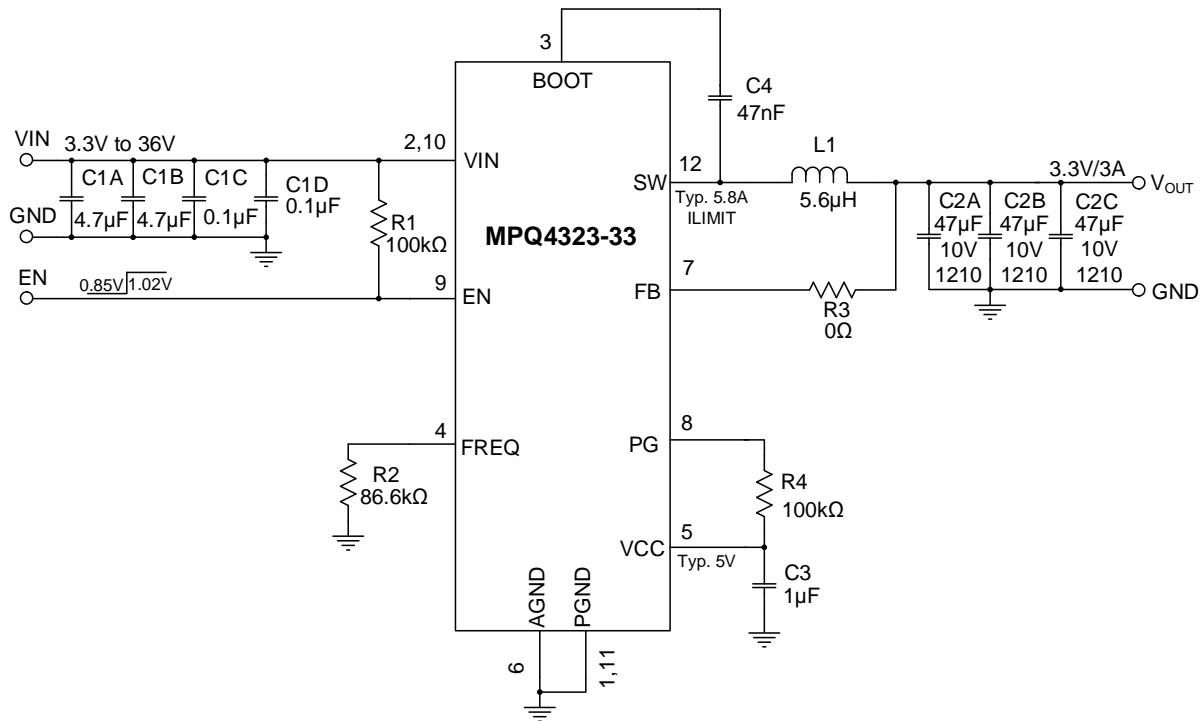
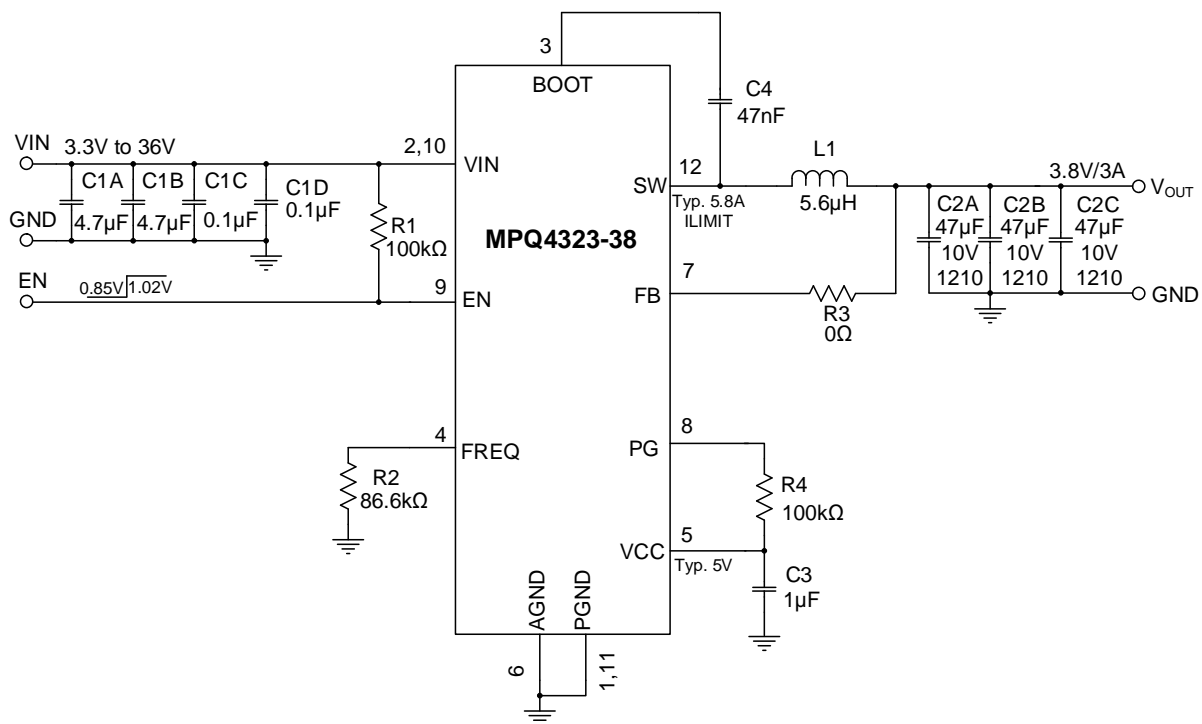


Figure 17: Typical Application Circuit (3.8V Fixed Output, f<sub>sw</sub> = 2.2MHz)



**TYPICAL APPLICATION CIRCUITS (continued)**

**Figure 18: Typical Application Circuit (3.3V Fixed Output,  $f_{sw} = 415\text{kHz}$ )**

**Figure 19: Typical Application Circuit (3.8V Fixed Output,  $f_{sw} = 415\text{kHz}$ )**

TYPICAL APPLICATION CIRCUITS (continued)

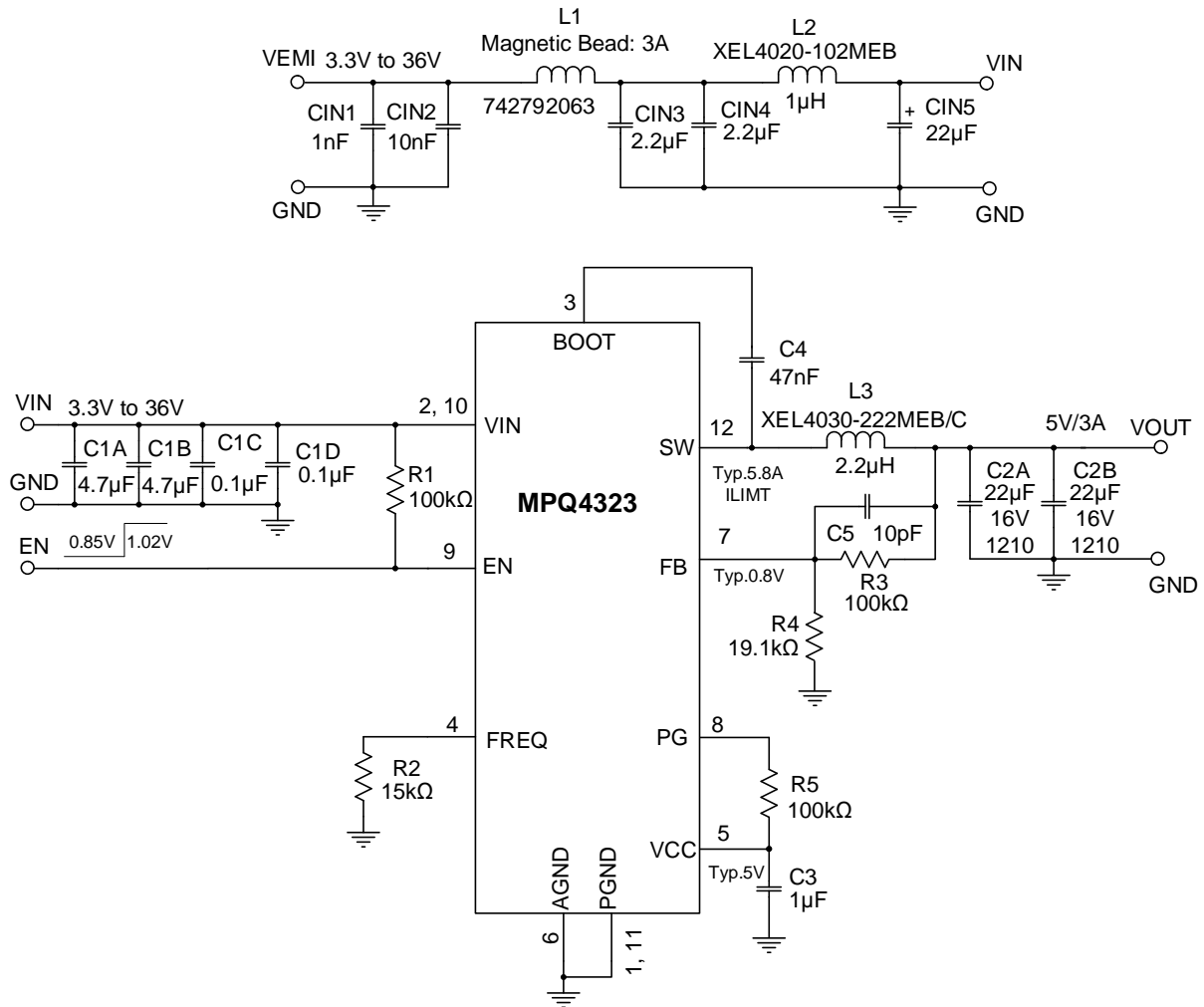


Figure 20: Typical Application Circuit (V<sub>OUT</sub> = 5V, f<sub>sw</sub> = 2.2MHz with EMI Filters)

TYPICAL APPLICATION CIRCUITS (continued)

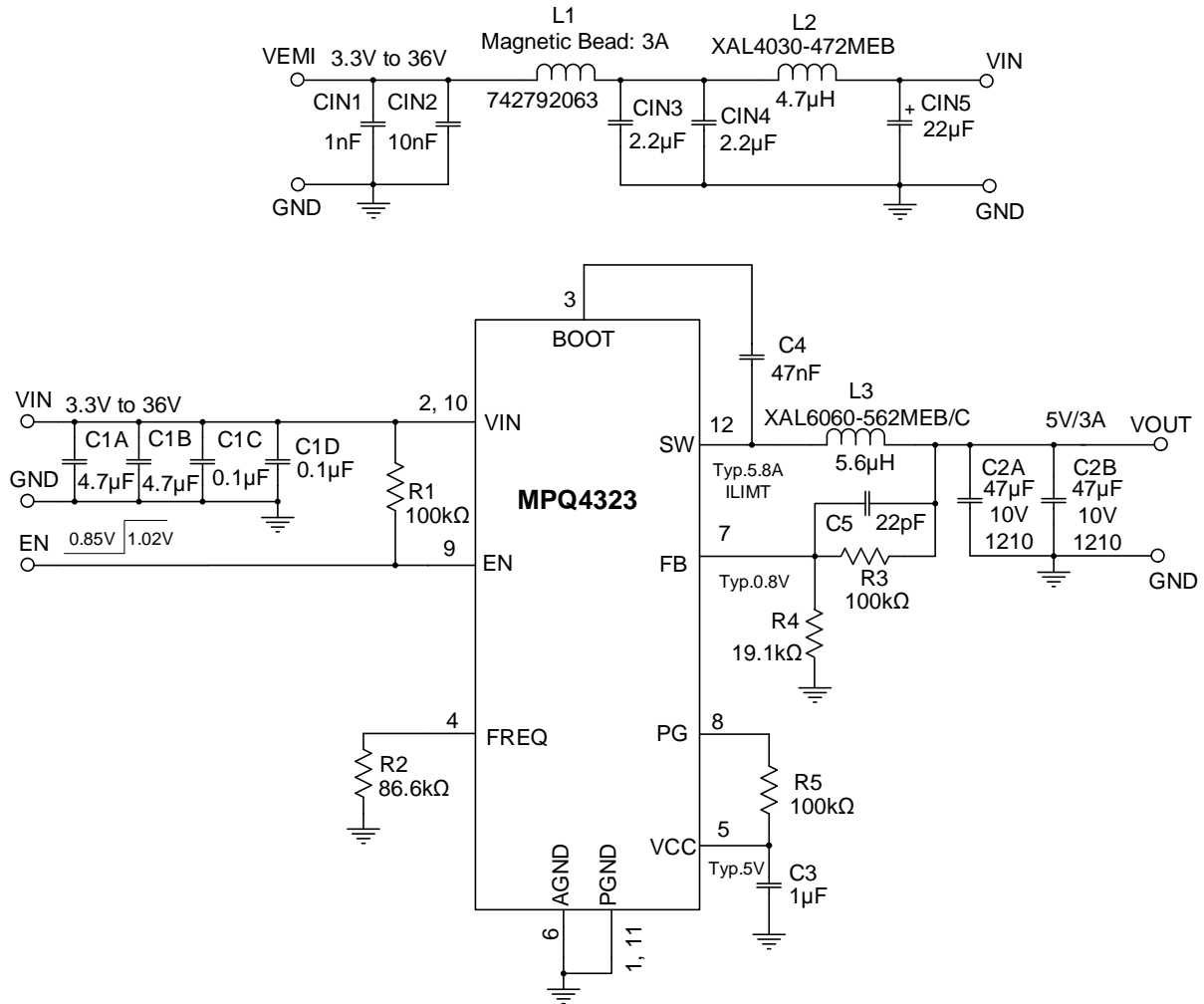


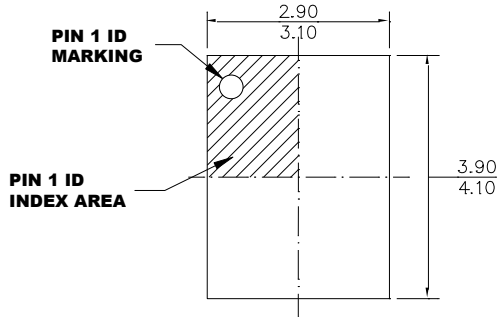
Figure 21: Typical Application Circuit (V<sub>OUT</sub> = 5V, f<sub>sw</sub> = 415kHz with EMI Filters)



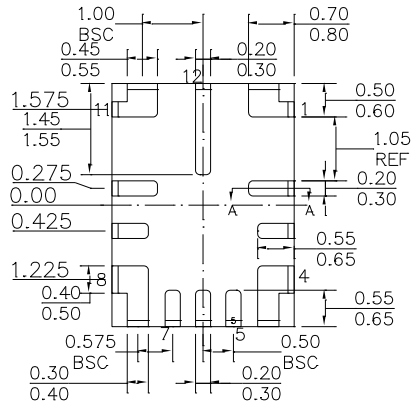
## PACKAGE INFORMATION

### QFN-12 (3mmx4mm)

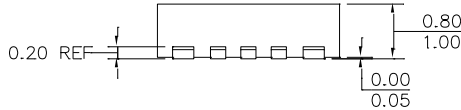
#### Wettable Flank



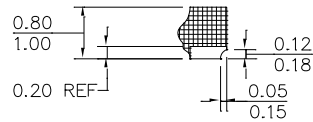
**TOP VIEW**



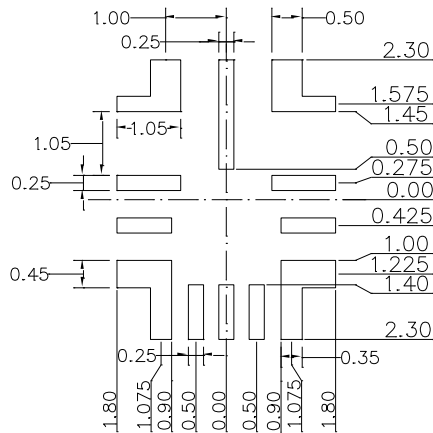
**BOTTOM VIEW**



**SIDE VIEW**



**SECTION A-A**

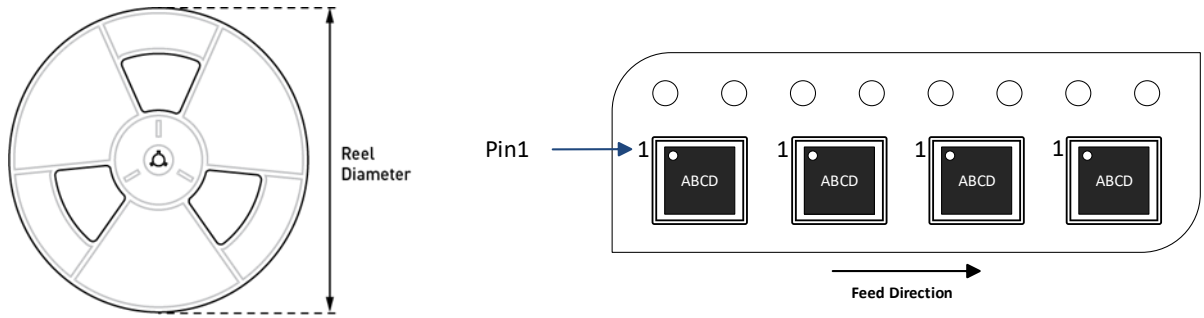


**RECOMMENDED LAND PATTERN**

**NOTE:**

- 1) THE LEAD SIDE IS WETTABLE.
- 2) ALL DIMENSIONS ARE IN MILLIMETERS.
- 3) LEAD COPLANARITY SHALL BE 0.08 MILLIMETERS MAX.
- 4) JEDEC REFERENCE IS MO-220.
- 5) DRAWING IS NOT TO SCALE.

## CARRIER INFORMATION



Part Number	Package Description	Quantity/ Reel	Quantity/ Tube <sup>(14)</sup>	Quantity/ Tray	Reel Diameter	Carrier Tape Width	Carrier Tape Pitch
MPQ4323GDE-AEC1-Z	QFN-12 (2mmx3mm)	5000	N/A	N/A	13in	12mm	8mm
MPQ4323GDE-33-AEC1-Z	QFN-12 (2mmx3mm)	5000	N/A	N/A	13in	12mm	8mm
MPQ4323GDE-38-AEC1-Z	QFN-12 (2mmx3mm)	5000	N/A	N/A	13in	12mm	8mm
MPQ4323GLE-AEC1-Z	QFN-12 (3mmx4mm)	5000	N/A	N/A	13in	12mm	8mm

**Note:**

14) N/A indicates “not available” in tubes. For 500-piece tape & reel prototype quantities, contact the factory. (Order code for 500-piece partial reel is “-P”, tape & reel dimensions remain the same as the full reel.)

## REVISION HISTORY

Revision #	Revision Date	Description	Pages Updated
1.0	4/30/2021	Initial Release	-
1.1	5/17/2021	Updated the ESD Ratings section	6
1.2	1/10/2022	Updated the maximum input voltage (V <sub>IN</sub> ) from 30V to 36V	1–2, 6, 32, 38–41
		Updated the Ordering Information section to include the new part number (MPQ4323GDE-38-AEC1), updated “-Z” to “-Z”	3
		Updated the ESD Ratings section to include footnotes	6
		Updated the minimum on time and minimum off time parameters in the Electrical Characteristics (EC) section to include footnotes	7
		Added the peak and valley current limit minimum/maximum values in the EC section; added the PG rising and falling deglitch times in the EC section	8
		Updated the curves in the Typical Characteristics section	9–11
		Updated the Floating Driver and Bootstrap Charging (BOOT, Pin 3) section to include new information regarding R <sub>BOOT</sub>	33
		Updated Figure 11	37
		Updated the Carrier Information section to include the new part number (MPQ4323GDE-38-AEC1-Z), updated “-P” to “-P”	43
		Grammar and formatting revisions	All
1.3	5/15/2023	Removed the MPQ4323GDE-33-AEC1, MPQ4323GDE-38-AEC1, and MPQ4323GDE-5-AEC1 orderable SKUs	3, 43
		Added the description of $\theta_{JC}$ value in notes 7, 8, and 9; updated the minimum V <sub>IN</sub> for start-up from 3.8V to 3.9V	6
		Updated C4 value from 0.1 $\mu$ F to 47nF in Figures 7 and 12–17	31, 37–40
		Updated the recommended BOOT capacitance range from “0.1 $\mu$ F and 1 $\mu$ F” to “22nF and 100nF,” and updated “P-channel MOSFET” to “N-channel MOSFET” in the Floating Driver and Bootstrap Charging (BOOT, Pin 3) section	32
		Updated the QFN-12 (3mmx4mm) POD to a higher-resolution version	42
1.4	12/21/2023	Added the MPQ4323GDE-33-AEC1 and MPQ4323GDE-38-AEC1 orderable SKUs to the Ordering Information, Top Marking, and Carrier Information sections	3, 46
		Added the fixed-output version of the FB input current; added V <sub>OUT</sub> accuracy of 3.3V fixed-output version; added V <sub>OUT</sub> accuracy of 3.8V fixed-output version; added the PG rising and falling thresholds for the fixed-output version; specified “adjustable output” for the existing PG rising and falling thresholds	8
		Moved the Protections section of the Electrical Characteristics table	9
		Updated the reference figure number to Figure 20 (previously Figure 16) and the corresponding page reference in note 11; updated the reference figure number to Figure 21 (previously Figure 17) and the corresponding page reference in note 12	20, 22
		Added the page reference for Table 2; updated the page reference for the f <sub>SW</sub> vs. R <sub>FREQ</sub> curve	33
Updated the page reference for the f <sub>SW</sub> vs. V <sub>IN</sub> curve	34		

**REVISION HISTORY (continued)**

Revision #	Revision Date	Description	Pages Updated
		Updated the page reference for the PCB Layout Guidelines section	36
		Added the 3.3V and 3.8V fixed-output application circuits with Figure 16, Figure 17, Figure 18, and Figure 19; updated the original figure numbering for Figure 16 and Figure 17 to Figure 20 and Figure 21, respectively	40–43

**Notice:** The information in this document is subject to change without notice. Please contact MPS for current specifications. Users should warrant and guarantee that third-party Intellectual Property rights are not infringed upon when integrating MPS products into any application. MPS will not assume any legal responsibility for any said applications.