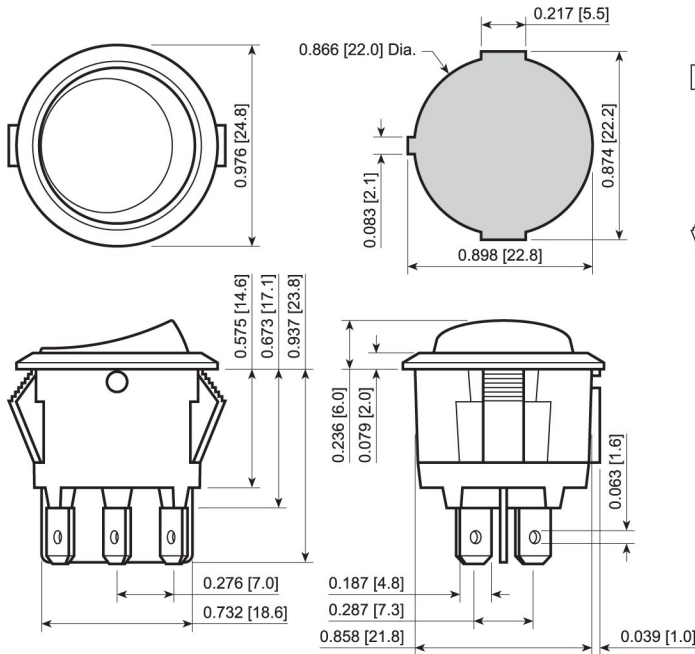




ROCKER

Panel Cutout

Illumination Options



FEATURES:

- Up to 2 Pole and 2 Throw
- High Ratings with UL Approvals
- Full Illumination Options
- PVC Cap for Water Protection

SPECIFICATIONS:

RATING: RATING OPTION C:

- 15A 125VAC [UR, cUR]
- 10A 250VAC [UR, cUR]
- 1/3HP 125/250VAC [UR, cUR]

RATING OPTION 3:

- 10A 125VAC [UR, cUR]

TEMPERATURE: -20°C to 105°C [UR, cUR]

ELECTRICAL LIFE: 10,000 Cycles

CONTACT RESISTANCE: 35mΩ Max. at 50VAC

INSULATION RESISTANCE: 100MΩ Min. at 500VAC

DIELECTRIC STRENGTH: 1,500VAC for 1 Minute

MATERIALS:

Body: Polyamide 6/6, UL94 V-2

ACTUATOR: Polyamide 6/6, UL94 V-2

Polycarbonate, UL94 V-2

CONTACTS: Silver Alloy

TERMINALS: Silver Plated Copper



RRA1631129



RRA16C112S / ACC-P04

Series	Terminal	Function	Rating	Body Color	Actuator Color	Marking Color	Marking Type	Lens Style	Lens Color	Lamp Voltage
RRA	1 - 4.8mm Tab	1 Pole: 1 - Off-On 3 - On-On 5 - On-Off-On 2 Pole: 2 - Off-On 6 - On-On 6 - On-Off-On	3 - 10A 125VAC C - 15A 125VAC	1 - Black 2 - White 3 - Almond 4 - Grey 9 - Red	0 - Full Illum. 1 - Black 2 - White 3 - Almond 4 - Grey 5 - Orange 7 - Blue 8 - Green 9 - Red	0 - None 1 - Black 2 - White 8 - Red	0 - None 1 - I/O Vert. 2 - ON/OFF/ON Vert. 3 - ON/OFF Vert. 4 - ON/OFF Horiz. 9 - I/O/II Horiz. S - I/O/II Vert. R - I/O Horiz.	1 - Full	0 - Clear 1 - Red 2 - Amber 3 - Green 4 - Blue	3 - 6V 4 - 12V 5 - 24V 6 - 125V 7 - 250V

Custom Colors and Markings Available Upon Request For Illuminated Switches Only

EXAMPLE PART NUMBERS:

RRA1G31100 2P On-On
Black Body/Actuator, No Marking

RRA1631100 2P On-Off-On
Black Body/Actuator, INo Marking

SPECIFICATIONS SUBJECT TO CHANGE WITHOUT NOTICE

