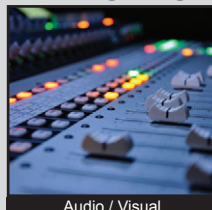


TL6215 SERIES TACT SWITCH

ANTI-VANDAL SWITCHES
 DETECTOR SWITCHES
 DIP SWITCHES
 KEYLOCK SWITCHES
 NAVIGATION SWITCHES
 PUSHBUTTON SWITCHES
 ROCKER SWITCHES
 ROTARY SWITCHES
 SLIDE SWITCHES
 SNAP ACTION SWITCHES
TACTILE SWITCHES
 TOGGLE SWITCHES
 CAP OPTIONS



APPLICATIONS / MARKETS



RoHS

SPECIFICATIONS

Electrical Rating: 50mA @ 12VDC
Electrical Life: 500,000 Cycles
Mechanical Life: 500,000 Cycles
Contact Resistance: 100mΩ Max.
Insulation Resistance: 100M Ω Min. at 500VDC
Dielectric Strength: 250VAC for 1 min.
Operating Temperature: -20°C to 70°C
Storage Temperature: -20°C to 70°C
Operating Force: 200 gf; 450 gf
Travel: 0.45mm
Dust/Moisture Protection: IP67
Contact Arrangement: SPST

FEATURES & BENEFITS

- Illumination options
- Right angle or vertical thru hole mount
- IP67 ratings
- Multiple cap options

PART NUMBER CONFIGURATOR

Series	Model	Termination Type	Actuation Force	LED Color	Cap Option*	Cap Color**
TL	6215	V - Vertical Thru Hole R - Right Angle Thru Hole*	F200 - 200 gf F450 - 450 gf	N - None R - Red G - Green B - Blue Y - Yellow W - White	N - No Cap B - B Style Cap D - D Style Cap* E - E Style Cap G - G Style Cap	N - No Cap T - Transparent K - Black** S - Silver**

* Right Angle option with cap is only available with "D" Cap

** K and S cap colors are opaque unless a laser etch graphic is created on the top surface

Specifications subject to change without notice



E-SWITCH®

www.e-switch.com

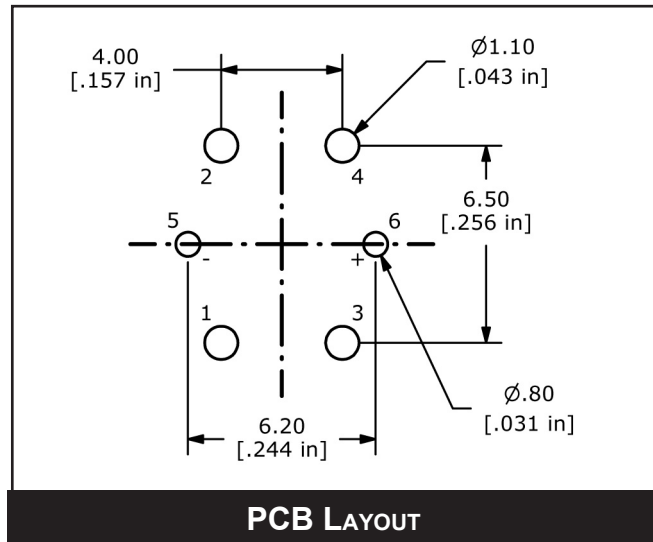
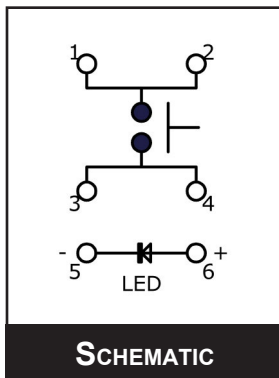
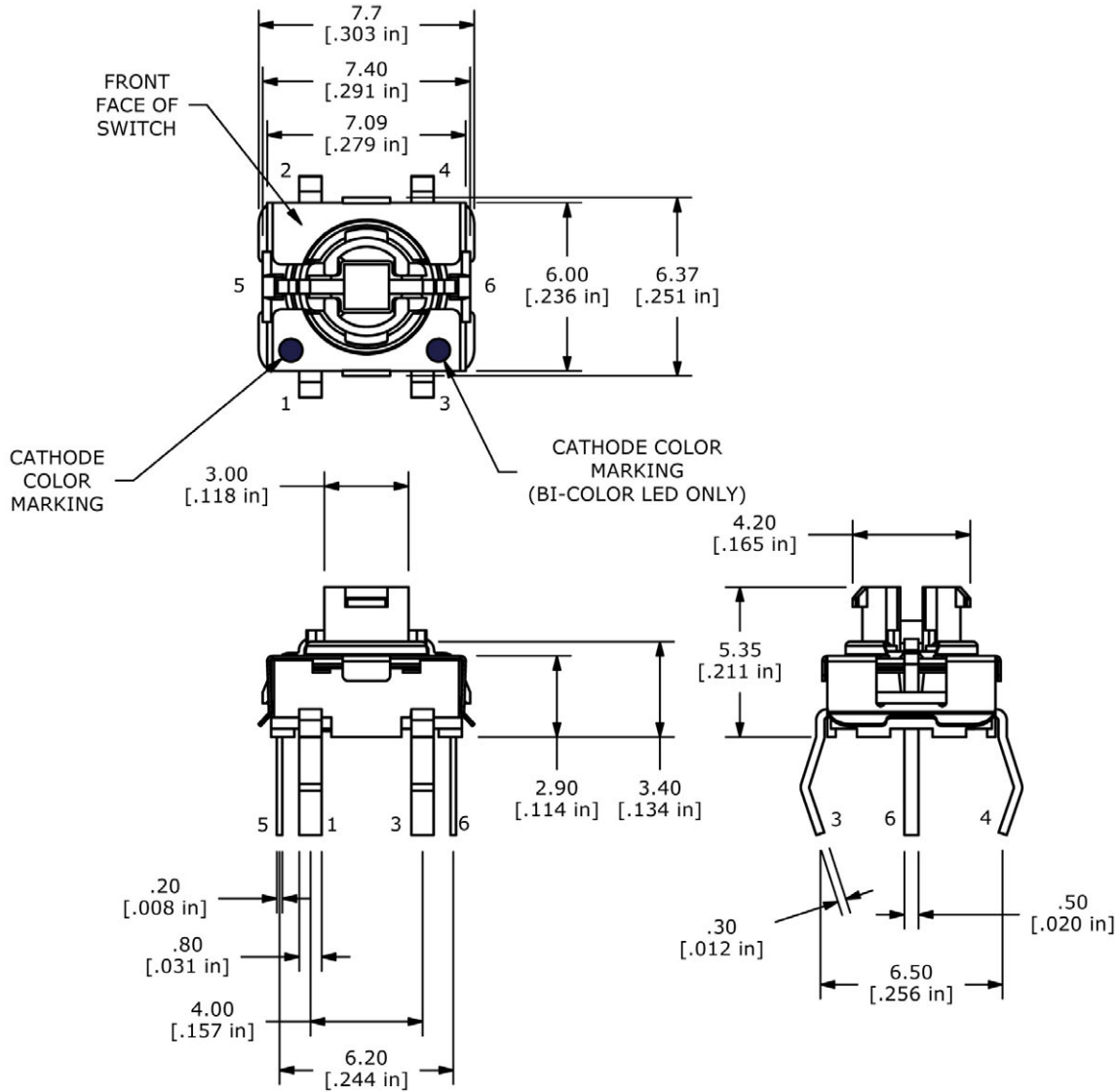
800.867.2717

2

TL6215 SERIES TACT SWITCH

BODY DIMENSIONS

VERTICAL

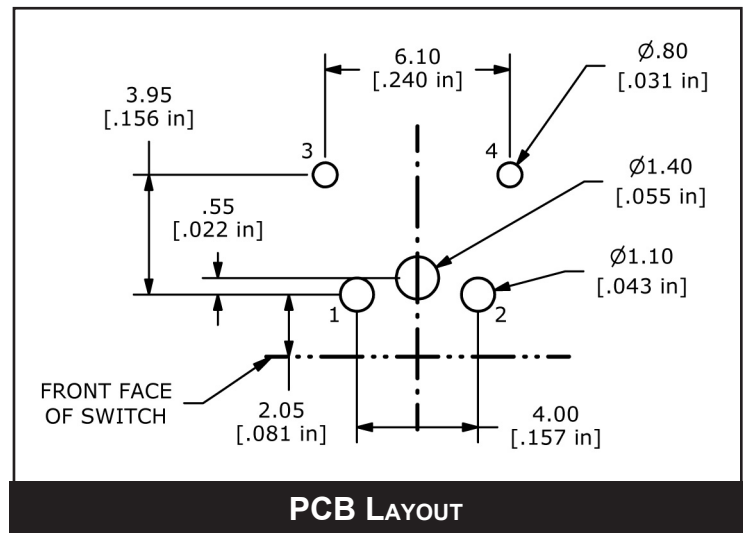
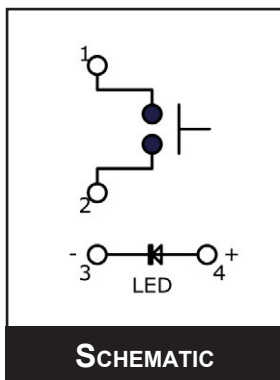
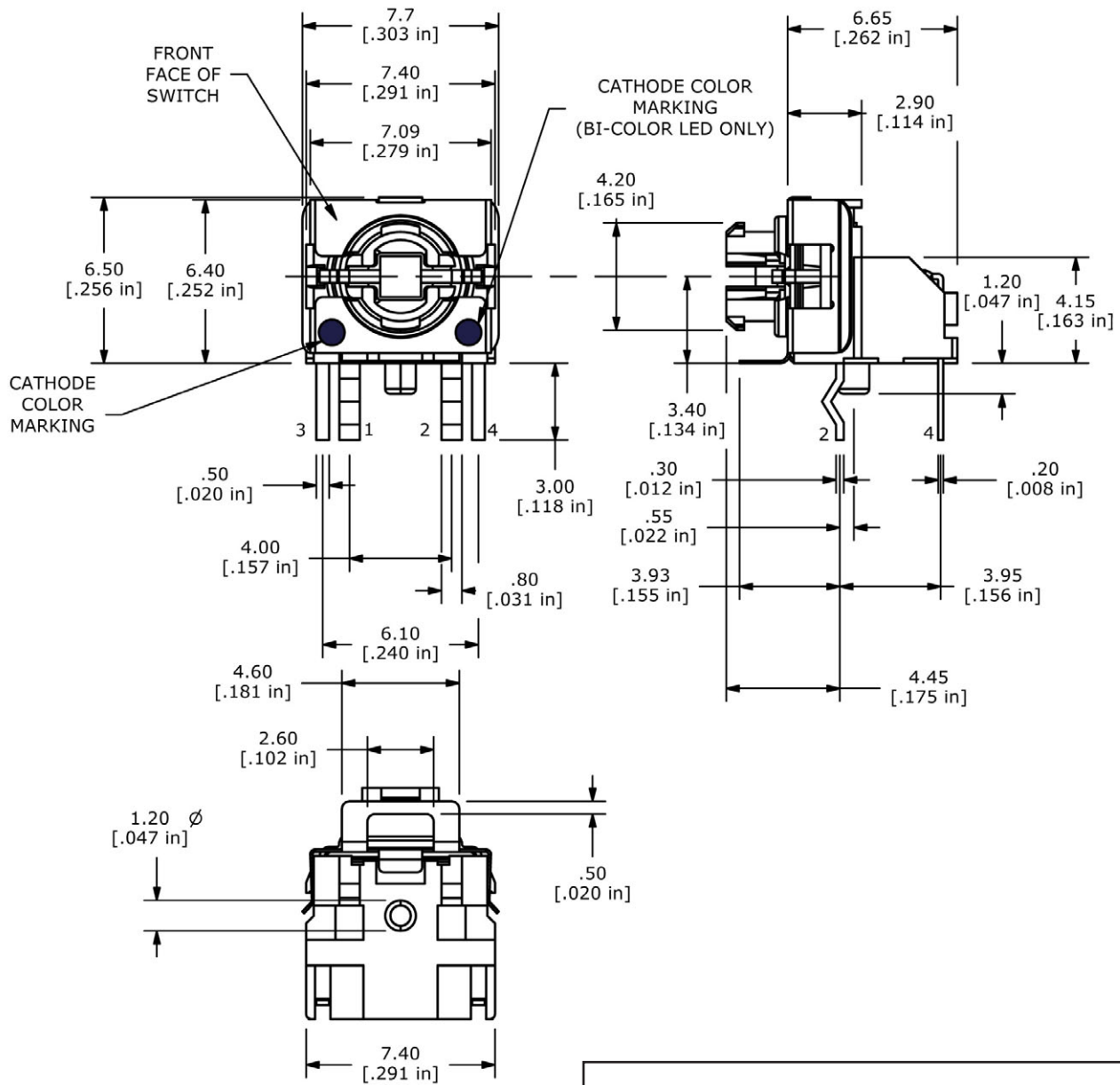


- ANTI-VANDAL SWITCHES
- DETECTOR SWITCHES
- DIP SWITCHES
- KEYLOCK SWITCHES
- NAVIGATION SWITCHES
- PUSHBUTTON SWITCHES
- ROCKER SWITCHES
- ROTARY SWITCHES
- SLIDE SWITCHES
- SNAP ACTION SWITCHES
- TACTILE SWITCHES**
- TOGGLE SWITCHES
- CAP OPTIONS



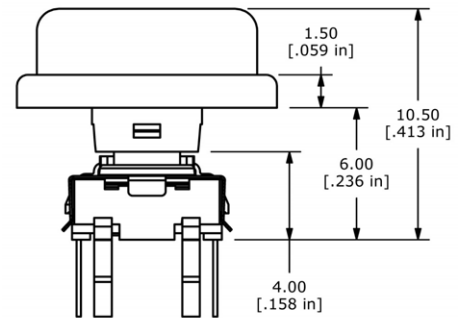
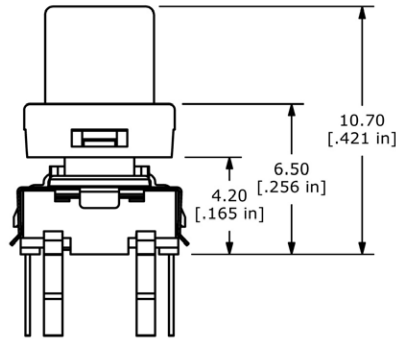
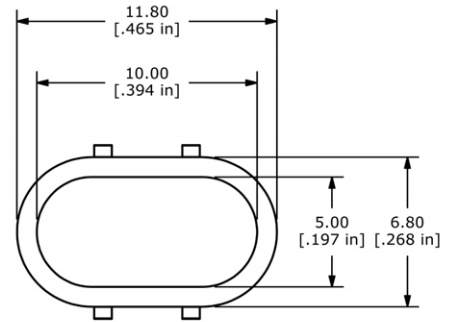
TL6215 SERIES TACT SWITCH

BODY DIMENSIONS RIGHT ANGLE



TL6215 SERIES TACT SWITCH

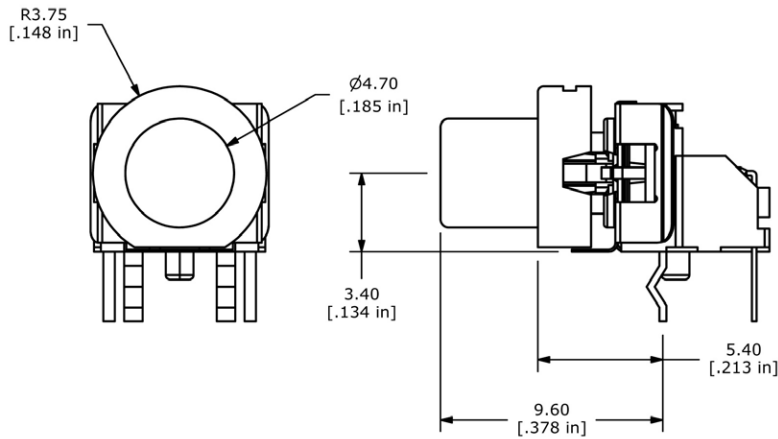
CAP OPTIONS



B Cap Option

E Cap Option

G Cap Option



D Cap Option

LED CHART			
COLOR	FORWARD CURRENT	FORWARD VOLTAGE	ILLUMINOUS INTENSITY
BLUE	20mA	3.3 V TYP	80mcd TYP
GREEN	20mA	2.1 V TYP	50mcd TYP
RED	20mA	1.95 V TYP	220mcd TYP
YELLOW	20mA	2.0 V TYP	180mcd TYP
WHITE	20mA	3.0V TYP	450mcd TYP

