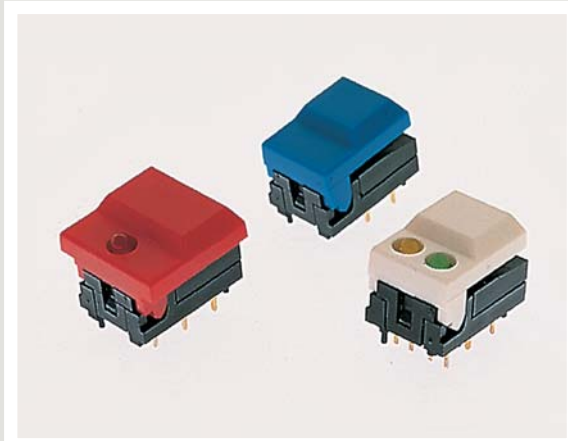




# SERIES 5500 SWITCHES

## PUSHBUTTON SWITCHES



### FEATURES & BENEFITS

- ▶ Single or dual LED options
- ▶ Hinged pushbutton design
- ▶ High operating life

### APPLICATIONS/MARKETS

- ▶ Telecommunications
- ▶ Networking
- ▶ Computers/servers
- ▶ Performance audio
- ▶ Instrumentation
- ▶ Low power on/off designs
- ▶ External hard drives and modems

### SPECIFICATIONS

Contact Ratings:	300mA @ 12 VDC
Life Expectancy:	500,000 cycles typical
Contact Resistance:	50mΩ max. typical @ 2-4 VDC, 100mA
Insulation Resistance:	50 MΩ min.
Dielectric Strength:	>1,000 V rms at sea level
Actuation Force:	255 grams max.
Operating Temperature:	-25°C to +65°C

### MATERIALS

Housing:	Nylon
Cap:	ABS
Contacts:	Gold over nickel over copper alloy
Terminals:	Gold over nickel over copper alloy



### HOW TO ORDER

<b>SERIES</b> <b>55</b>	<b>CAP STYLE</b> [Small Cap] [Large Cap] 01 = Small 11 = Large	<b>MECHANICAL CONFIGURATION</b> <b>M</b> M = Momentary	<b>CAP COLOR</b> [Black] [Grey] [Yellow] [Blue] [Red] [Orange] [Green] [White] BLK = Black GRY = Grey YEL = Yellow BLU = Blue RED = Red ORG = Orange GRN = Green WHT = White	<b>1st LED COLOR</b> (1-LED cap styles only) [No LED] [Red LED] [Green LED] [Yellow LED] X = No LED RED = Red LED GRN = Green LED YEL = Yellow LED	<b>2nd LED COLOR</b> (2-LED cap styles only) [Red LED] [Green LED] [Yellow LED] RED = Red LED GRN = Green LED YEL = Yellow LED
----------------------------	---	--	---	--	---



### Example Ordering Number

55-11-M-BLU  
55-01-M-WHT-RED, GRN

Specifications subject to change without notice.

TACT SWITCHES

NAVIGATION SWITCHES

PUSHBUTTON SWITCHES

TOGGLE SWITCHES

ROCKER SWITCHES

SLIDE SWITCHES

SNAP-ACTION SWITCHES

DIP SWITCHES

KEYLOCK SWITCHES

ROTARY SWITCHES

DETECTOR SWITCHES

CAP OPTIONS

# SERIES 5500 SWITCHES

## PUSHBUTTON SWITCHES

TACT  
SWITCHES

NAVIGATION  
SWITCHES

PUSHBUTTON  
SWITCHES

TOGGLE  
SWITCHES

ROCKER  
SWITCHES

SLIDE  
SWITCHES

SNAP-ACTION  
SWITCHES

DIP  
SWITCHES

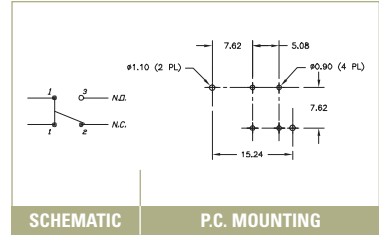
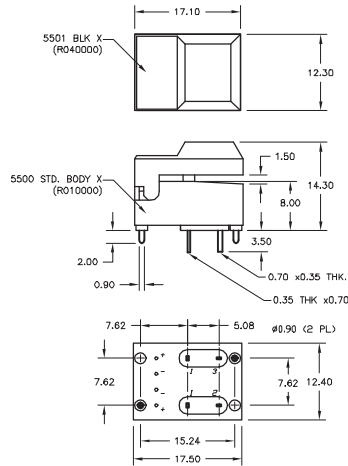
KEYLOCK  
SWITCHES

ROTARY  
SWITCHES

DETECTOR  
SWITCHES

CAP  
OPTIONS

### 5501

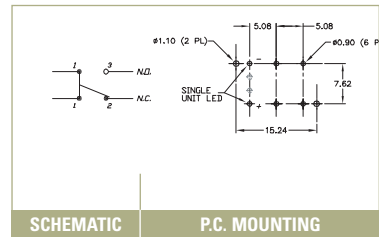
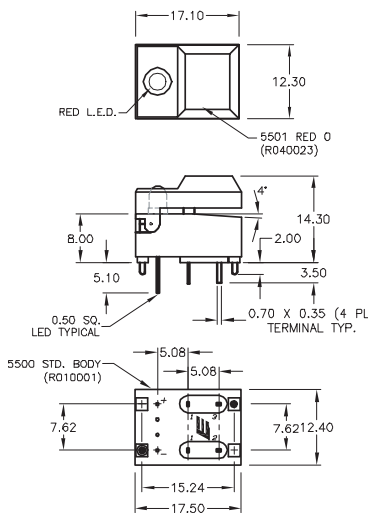


SCHEMATIC

P.C. MOUNTING

### 5501

1 LEDS

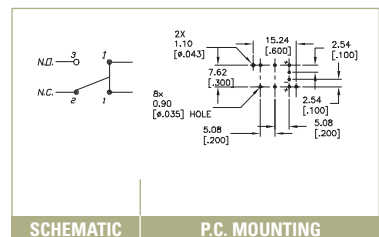
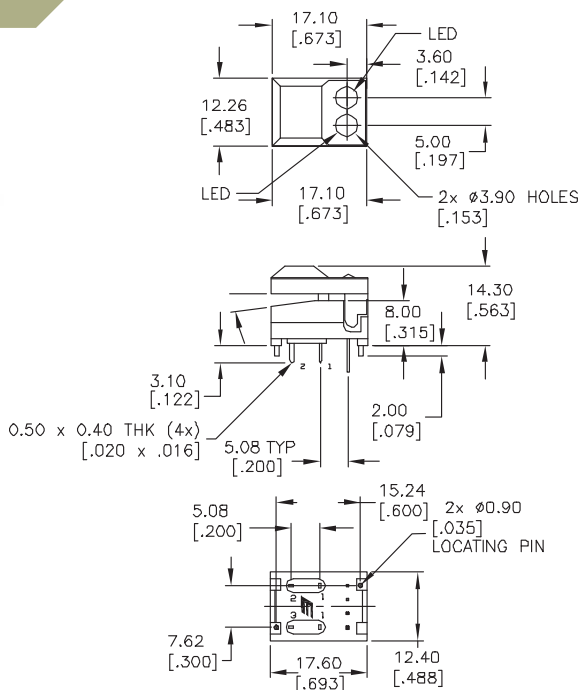


SCHEMATIC

P.C. MOUNTING

### 5501

2 LEDS

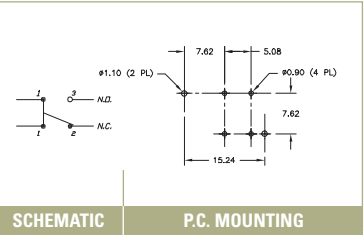
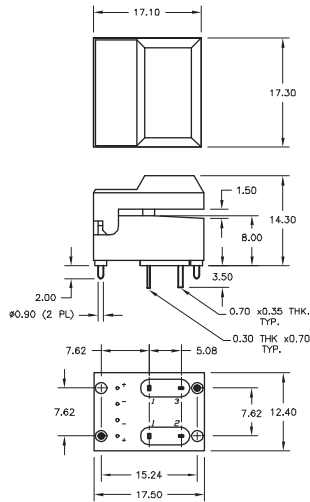


SCHEMATIC

P.C. MOUNTING



### 5511



TACT SWITCHES

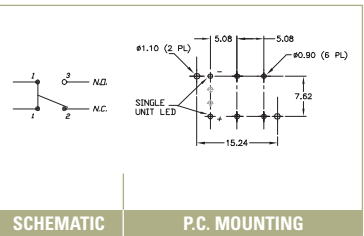
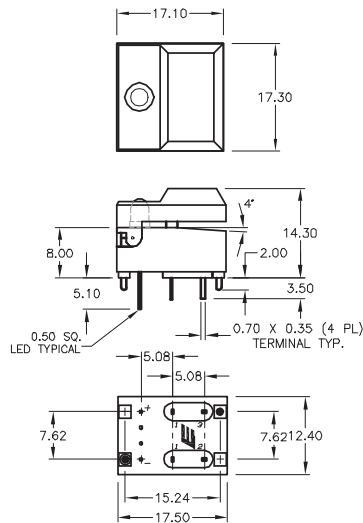
NAVIGATION SWITCHES

PUSHBUTTON SWITCHES

TOGGLE SWITCHES

### 5511

1 LEDS



ROCKER SWITCHES

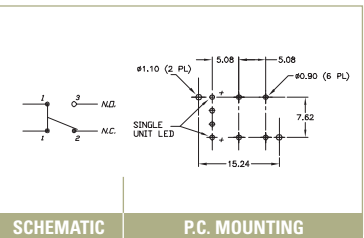
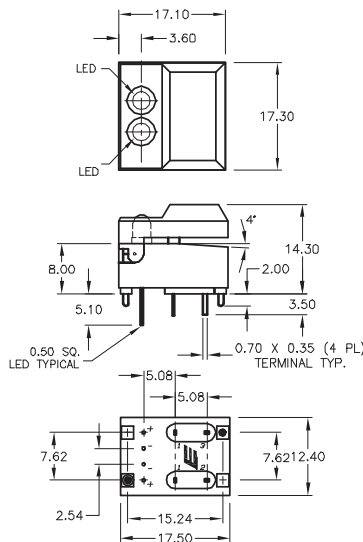
SLIDE SWITCHES

SNAP-ACTION SWITCHES

DIP SWITCHES

### 5511

2 LEDS



KEYLOCK SWITCHES

ROTARY SWITCHES

DETECTOR SWITCHES

CAP OPTIONS