

ST3 SERIES TOGGLE SWITCH

ANTI-VANDAL SWITCHES
DETECTOR SWITCHES
DIP SWITCHES
KEYLOCK SWITCHES
NAVIGATION SWITCHES
PUSHBUTTON SWITCHES
ROCKER SWITCHES
ROTARY SWITCHES
SLIDE SWITCHES
SNAP ACTION SWITCHES
TACTILE SWITCHES
TOGGLE SWITCHES
CAP OPTIONS



APPLICATIONS / MARKETS



Floor Care Appliances



Commercial Appliances



Industrial Controls



Medical / Dental



HVAC



Vending Machines

RoHS

SPECIFICATIONS

Rating: 24A 125VAC [cULus]
15A 277VAC [cULus]
2.0HP 125-277VAC [cULus]

Electrical Life: 6,000 cycles
Contact Resistance: 50mΩ Max.
Insulation Resistance: 2MΩ Min. at 500VDC for 1 Minute
Dielectric Strength: 1,000VAC for 1 Minute
Operating Temperature: 0°C to 85°C
Storage Temperature: -20°C to 85°C
Mounting Nut Torque: 0.6Nm~1.0Nm

FEATURES & BENEFITS

- Heavy duty rating with UL approvals
- Many functions available
- Tab, screw, and solder terminal options
- Soldered wire leads (500mm long) optional

PART NUMBER CONFIGURATOR

Series



ST3 - 3 Pole

Terminal



1 - 4.8mm Tabs
2 - Solder
4 - 6.3mm Tabs
6 - Screw
W - Wire Leads
500mm long

Function



R - 3 Pole Off - On
S - 3 Pole On - On
T - 3 Pole On - Off - On

Rating



E - 24A 125VAC

Actuator Type



0 - Standard Bat

Bushing Type



0 - M12 x 1.0

Specifications subject to change without notice 2.16.2022



E-SWITCH®

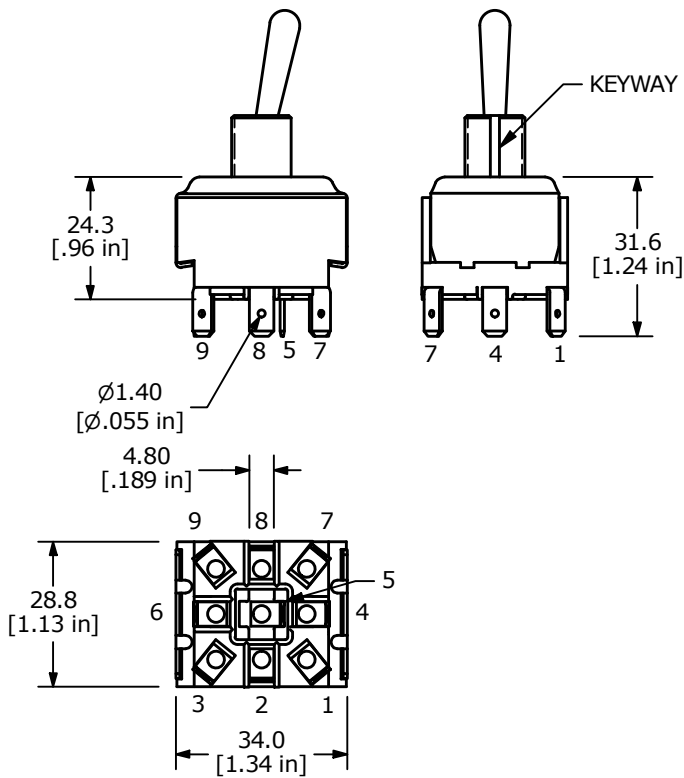
www.e-switch.com

800.867.2717

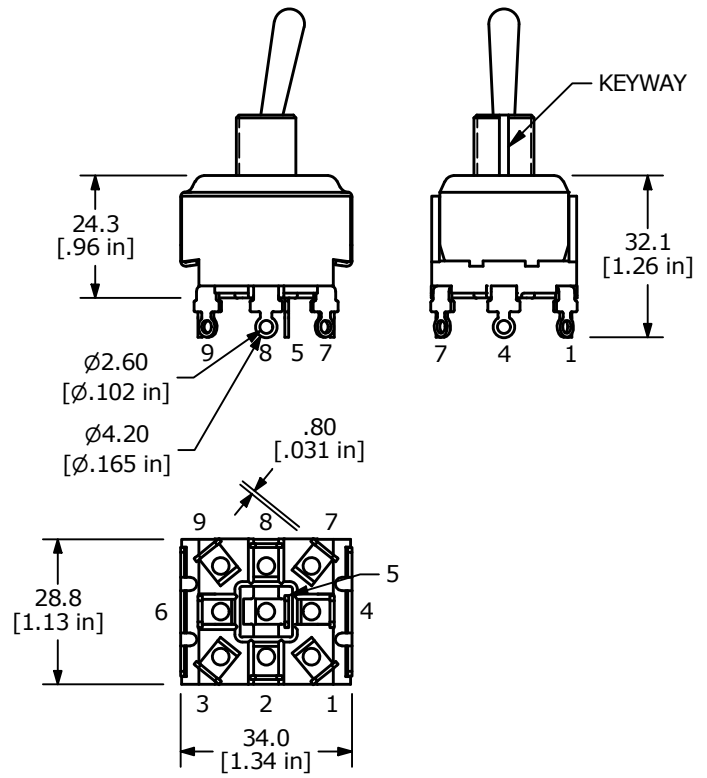
1

ST3 SERIES TOGGLE SWITCH

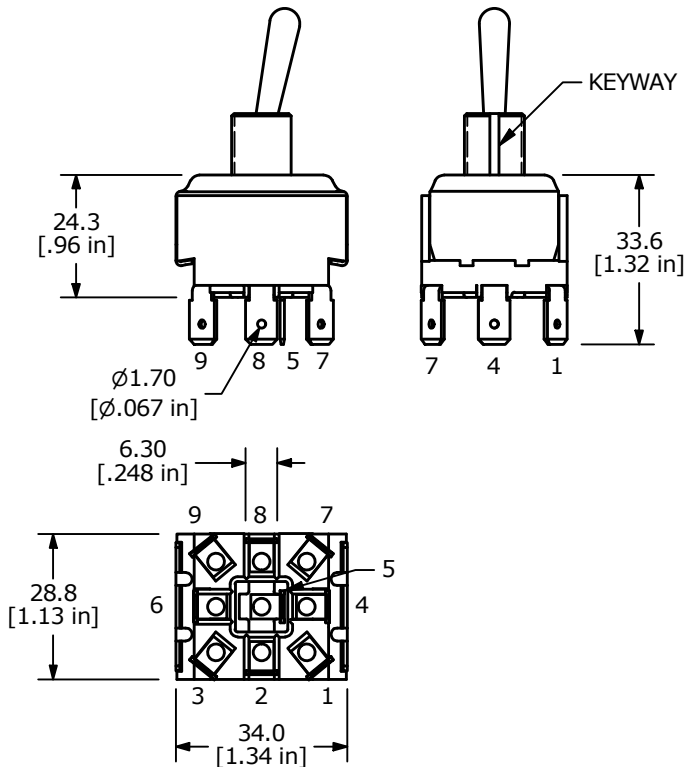
TERMINAL OPTIONS



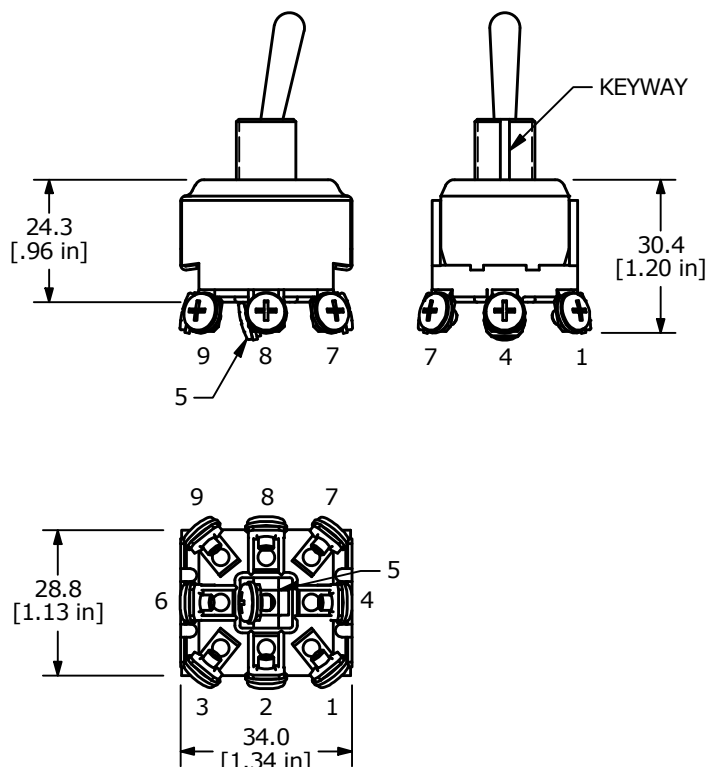
1 = 4.8mm TABS



2 = SOLDER



4 = 6.3mm TABS



6 = SCREW



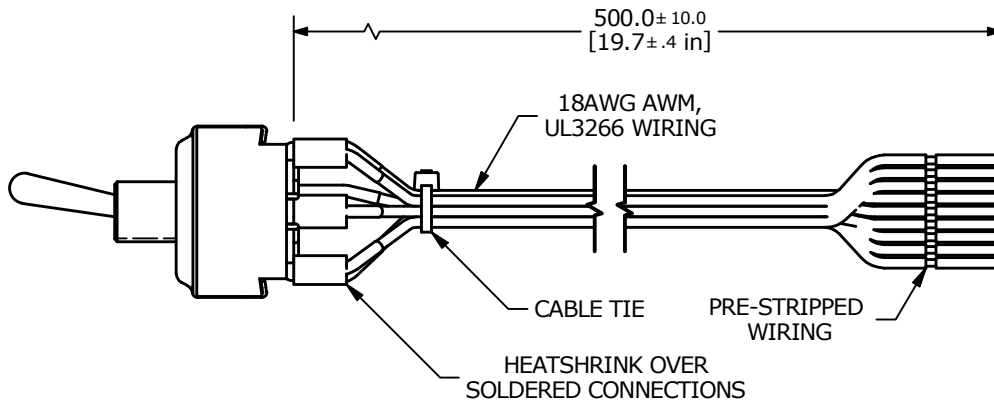
ANTI-VANDAL SWITCHES
 DETECTOR SWITCHES
 DIP SWITCHES
 KEYLOCK SWITCHES
 NAVIGATION SWITCHES
 PUSHBUTTON SWITCHES
 ROTARY SWITCHES
 ROTARY SWITCHES
 SLIDE SWITCHES
 SNAP ACTION SWITCHES
 TACTILE SWITCHES
TOGGLE SWITCHES
 CAP OPTIONS

ST3 SERIES TOGGLE SWITCH

TERMINAL OPTIONS (CONTINUED)

SWITCH	WIRE	LENGTH
SW1-1	WIRE, 18AWG AWM UL3266, GREEN	500.0 [19.7 in]
SW1-2	WIRE, 18AWG AWM UL3266, PINK	500.0 [19.7 in]
SW1-3	WIRE, 18AWG AWM UL3266, YELLOW	500.0 [19.7 in]
SW1-4	WIRE, 18AWG AWM UL3266, RED	500.0 [19.7 in]
SW1-5	WIRE, 18AWG AWM UL3266, WHITE	500.0 [19.7 in]
SW1-6	WIRE, 18AWG AWM UL3266, BLUE	500.0 [19.7 in]
SW1-7	WIRE, 18AWG AWM UL3266, BLACK	500.0 [19.7 in]
SW1-8	WIRE, 18AWG AWM UL3266, ORANGE	500.0 [19.7 in]
SW1-9	WIRE, 18AWG AWM UL3266, BROWN	500.0 [19.7 in]

** WIRE LEADS PROVIDED ARE DEPENDANT ON THE FUNCTION SELECTED **

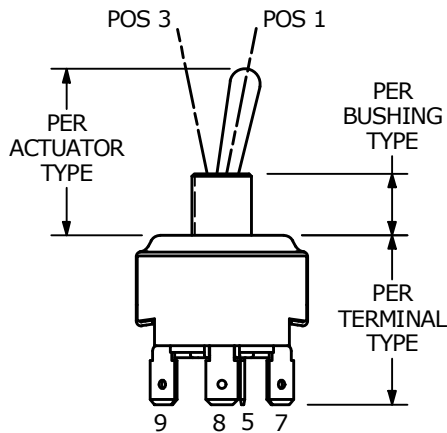


W = WIRED LEADS 500mm

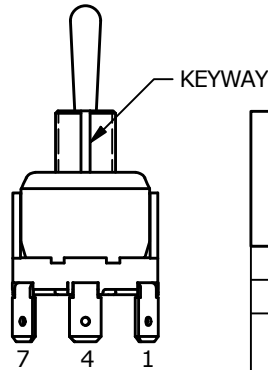


ST3 SERIES TOGGLE SWITCH

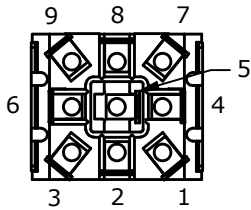
FUNCTION OPTIONS



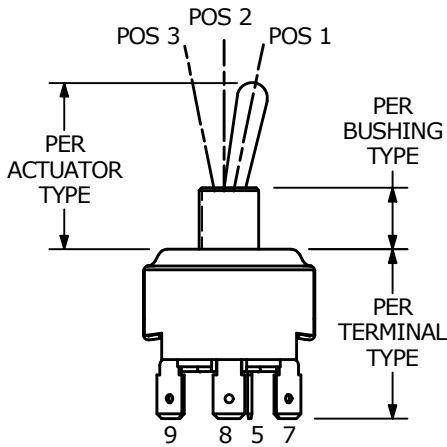
FUNCTIONS: R & S



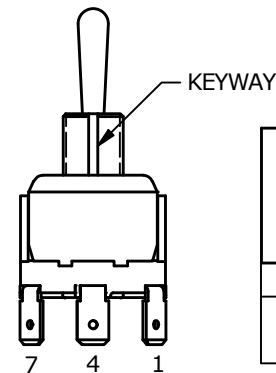
FUNCTION	POS. 1	POS. 2	POS. 3
R - OFF - ON	OFF	N/A	ON
S - ON - ON	ON	N/A	ON
TERMINAL CLOSURES	R= 1-2, 4-5 S= 2-3, 5-6, 8-9	N/A	R= 1-2, 4-5 S= 1-2, 4-5, 7-8



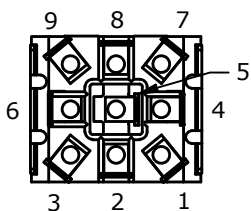
TERMINALS 3, 6 AND 9 ONLY WITH FUNCTION S



FUNCTION: T

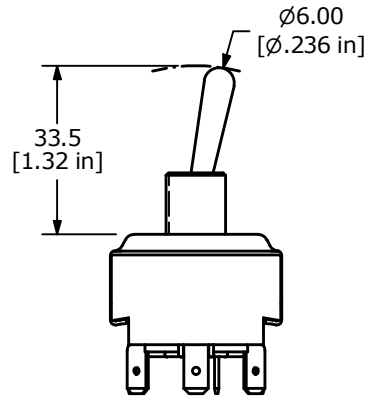


FUNCTION	POS. 1	POS. 2	POS. 3
T - ON - OFF - ON	ON	OFF	ON
TERMINAL CLOSURES	2-3, 5-6, 8-9	OPEN	1-2, 4-5, 7-8



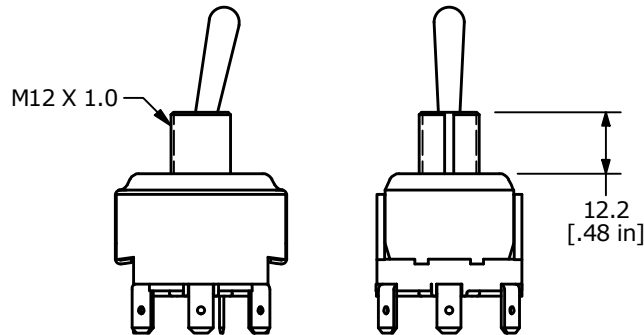
ST3 SERIES TOGGLE SWITCH

ACTUATOR OPTIONS



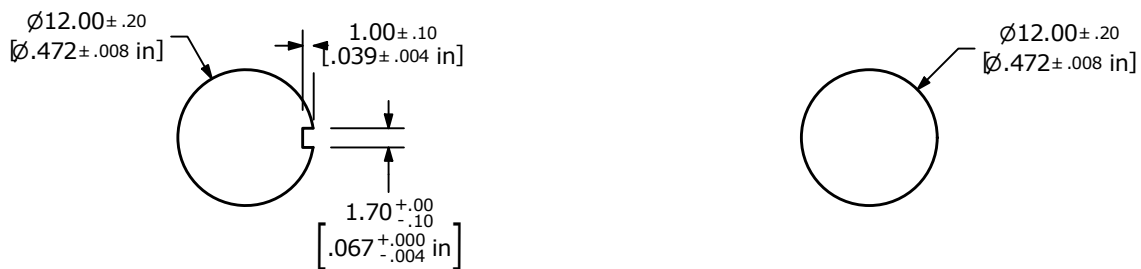
0 = STANDARD BAT

BUSHING OPTIONS



0 = M12 X 1.0

PANEL CUTOUT OPTIONS



RECOMMENDED PANEL CUTOUT

ALTERNATE PANEL CUTOUT

