

SERIES TL 1250 SWITCHES



ILLUMINATED RIGHT ANGLE TACT SWITCH



MECHANICAL SPECIFICATIONS

Mechanical Life:	50,000 cycles
Force:	120 ± 60 gf; 180 ± 60 gf; 280 ± 70 gf
Travel:	0.2mm ± 0.1mm

ELECTRICAL SPECIFICATIONS

Contact Rating:	12VDC @ 50mA
Contact Resistance (Initial Max.):	100 mOhms @ 5VDC
Insulation Resistance (min.@100V):	100 MOhms
Dielectric Strength (1 Min.):	250VAC
Bounce:	5m Second Max

FEATURES & BENEFITS

- Right-angle, thru hole termination
- Single color LED options available
- Sharp, tactile response
- Long travel

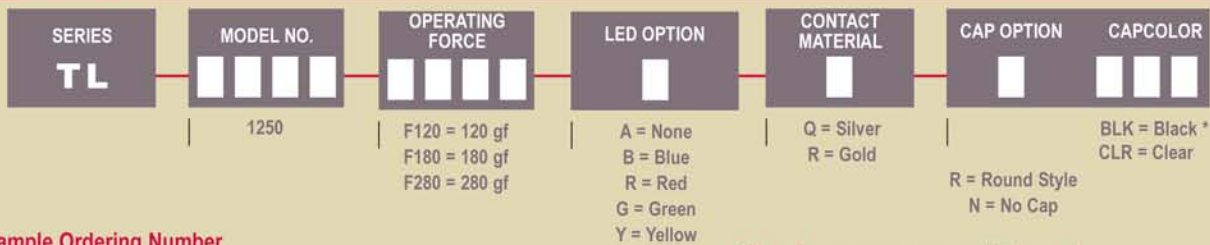
APPLICATIONS / MARKETS

- Telecommunications
- Consumer Electronics
- Audio/visual
- Medical
- Testing/instrumentation
- Computer/servers/peripherals

ENVIRONMENTAL SPECIFICATIONS

Operating Temperature:	-20°C to +70°C
------------------------	----------------

HOW TO ORDER

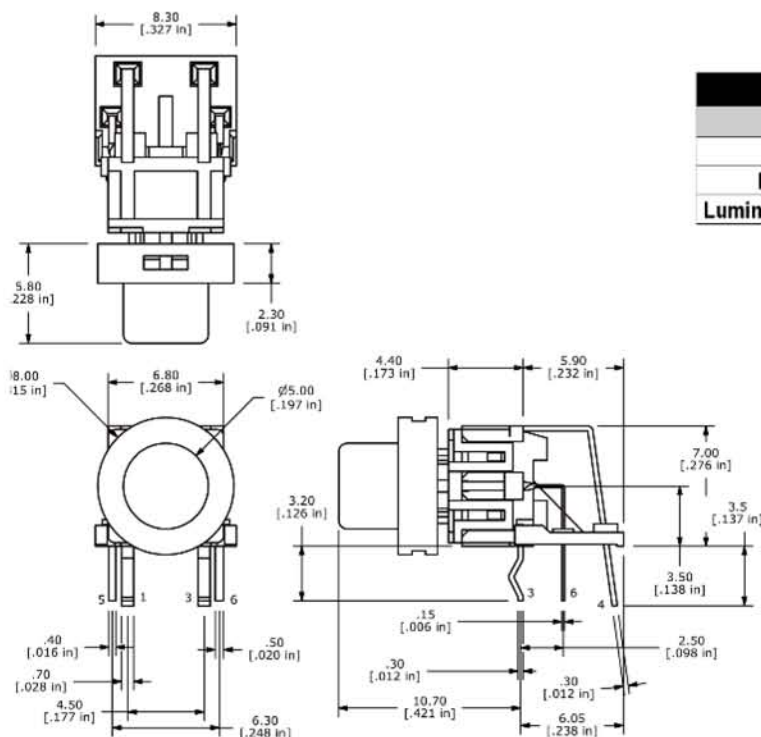


Example Ordering Number

TL1250 F180AQ RCLR

*Denotes an opaque cap, not to be used with an LED

Specifications subject to change without notice.



LED Specifications

	Blue	Green	Yellow	Red
Forward Current (mA)	20	20	20	20
Forward Voltage @20mA (V)	3.65-4.2	2.1-2.5	2.0-2.5	1.95-2.5
Luminous Intensity @10mA (mcd)	250	400	1800	1800

