

300A SERIES ROCKER SWITCH

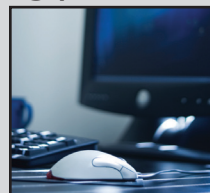
- ANTI-VANDAL SWITCHES
- DETECTOR SWITCHES
- DIP SWITCHES
- KEYLOCK SWITCHES
- NAVIGATION SWITCHES
- PUSHBUTTON SWITCHES
- ROCKER SWITCHES**
- ROTARY SWITCHES
- SLIDE SWITCHES
- SNAP ACTION SWITCHES
- TACTILE SWITCHES
- TOGGLE SWITCHES
- CAP OPTIONS



APPLICATIONS / MARKETS



Test Equipment



Computer Peripherals



Networking



Instrumentation



Telecommunication



Electrical Housewares

RoHS

SPECIFICATIONS

Contact Rating: Silver: 5A @120VAC or 28VDC;
2A @ 250VAC
Gold: 0.4VA @ 20V Max (AC or DC)
Contact Resistance: 10mΩ Max Initial
Insulation Resistance: 1,000MΩ
Dielectric Strength: 1,000V RMS at sea level
Operating Temperature: -30°C to 85°C
Contact Arrangement: SPDT, DPDT

FEATURES & BENEFITS

- Multiple rocker & paddle options
- Multiple termination options
- Sealed to IP67
- UL Listed

PART NUMBER CONFIGURATOR

Series	Model No.	Actuator	Actuator Color	Termination	Contact Material	Seal
300A	WSP1 - SPDT On-None-On WSP2 - SPDT On-None-(On) WSP3 - SPDT On-Off-On WSP4 - SPDT (On)-Off-(On) WSP5 - SPDT On-Off-(On) WDP1 - DPDT On-None-On WDP2 - DPDT On-None-(On) WDP3 - DPDT On-Off-On WDP4 - DPDT (On)-Off-(On) WDP5 - DPDT On-Off-(On)	R1 - Panel Mount R2 - Panel Mount R11 - Panel Mount R16 - Panel Mount J1 - PC Mount J2 - PC Mount J3 - PC Mount J4 - PC Mount J5 - PC Mount J6 - PC Mount	BLK - Black RED - Red WHT - White	M1 - Standard Vertical Panel Mount M2 - Standard Vertical PC Mount M3 - Quick Connect Vertical Panel Mount M6 - Horizontal Rt Angle PC Mount M7 - Vertical Rt Angle PC Mount VS2 - Vertical PC Mount w/ Retention Bracket Dim A=0.460 VS21 - Vertical PC Mount w/ Retention Bracket VS3 - Vertical PC Mount w/ Retention Bracket dim A=0.630	Q - Silver R - Gold	E - Epoxy

Specifications subject to change without notice



E-SWITCH®

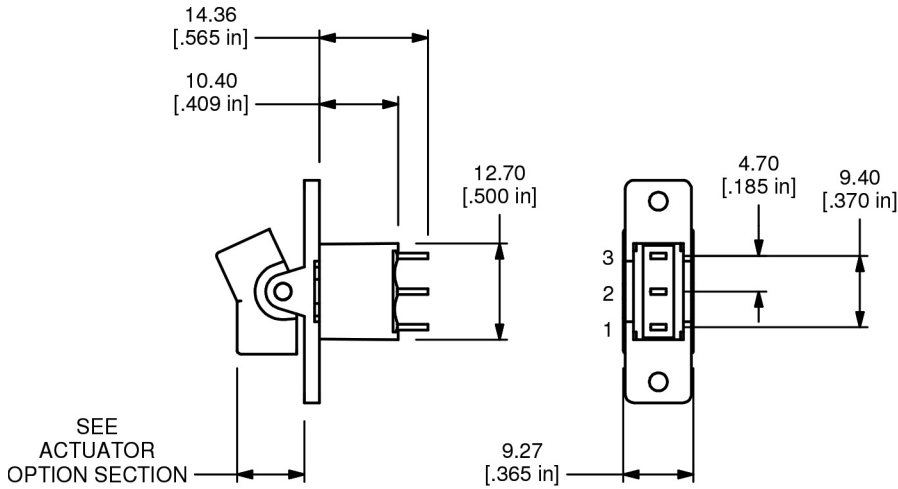
www.e-switch.com

800.867.2717

1

300A SERIES ROCKER SWITCH

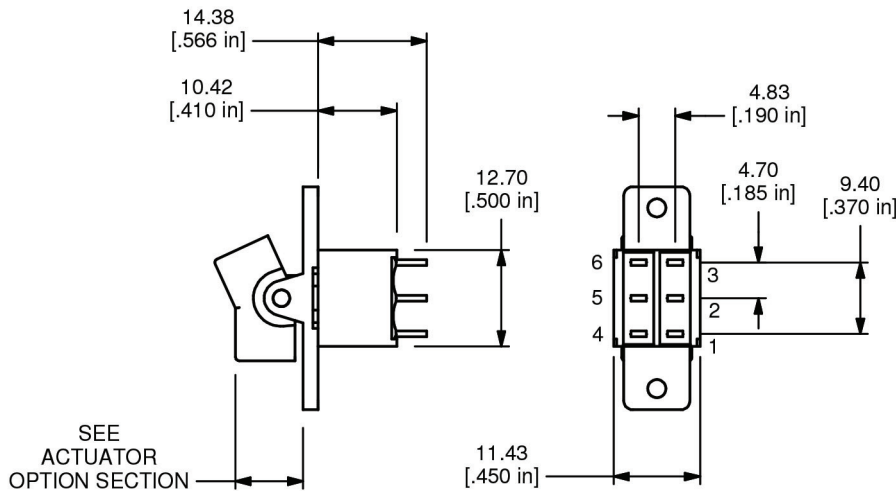
SWITCH FUNCTIONS



MODEL NO.	POS. 1	POS. 2	POS. 3
WSP1	ON	NONE	ON
WSP2	ON	NONE	(ON)
WSP3	ON	OFF	ON
WSP4	(ON)	OFF	(ON)
WSP5	ON	OFF	(ON)
TERMINAL CLOSURE	2-3	OPEN	2-1

() = MOMENTARY

SINGLE POLE - SP



MODEL NO.	POS. 1	POS. 2	POS. 3
WDP1	ON	NONE	ON
WDP2	ON	NONE	(ON)
WDP3	ON	OFF	ON
WDP4	(ON)	OFF	(ON)
WDP5	ON	OFF	(ON)
TERMINAL CLOSURE	2-3, 5-6	OPEN	2-1, 5-4

() = MOMENTARY

DOUBLE POLE - DP

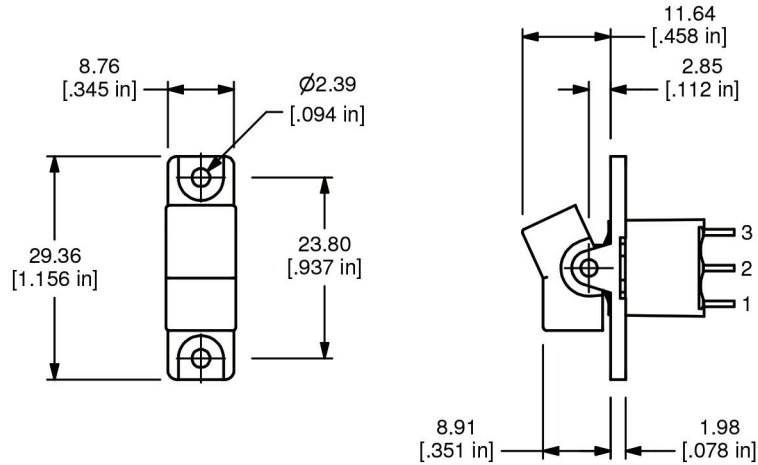


ANTI-VANDAL SWITCHES
DETECTOR SWITCHES
DIP SWITCHES
KEYLOCK SWITCHES
NAVIGATION SWITCHES
PUSHBUTTON SWITCHES
ROCKER SWITCHES
ROTARY SWITCHES
SLIDE SWITCHES
SNAP ACTION SWITCHES
TACTILE SWITCHES
TOGGLE SWITCHES
CAP OPTIONS

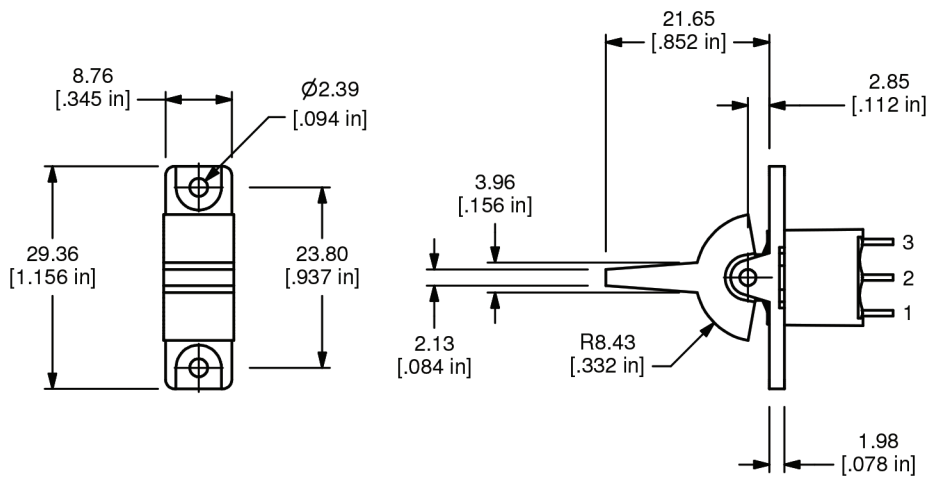
300A SERIES ROCKER SWITCH

PANEL MOUNT ACTUATOR

- ANTI-VANDAL SWITCHES
- DETECTOR SWITCHES
- DIP SWITCHES
- KEYLOCK SWITCHES
- NAVIGATION SWITCHES
- PUSHBUTTON SWITCHES
- ROCKER SWITCHES**
- ROTARY SWITCHES
- SLIDE SWITCHES
- SNAP ACTION SWITCHES
- TACTILE SWITCHES
- TOGGLE SWITCHES
- CAP OPTIONS



R1 ACTUATOR

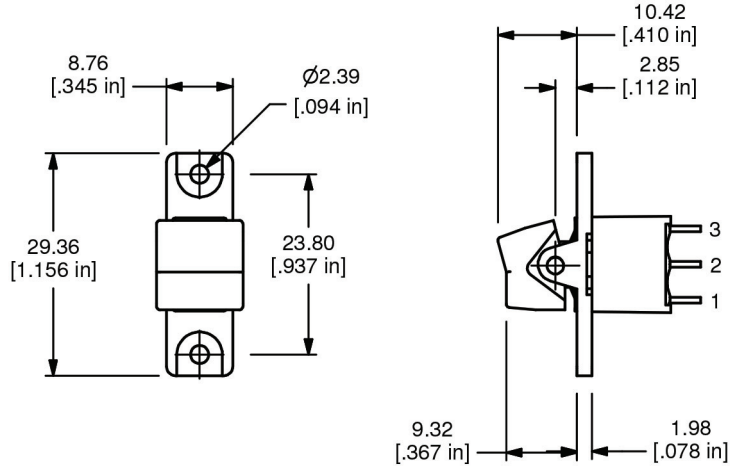


R2 ACTUATOR

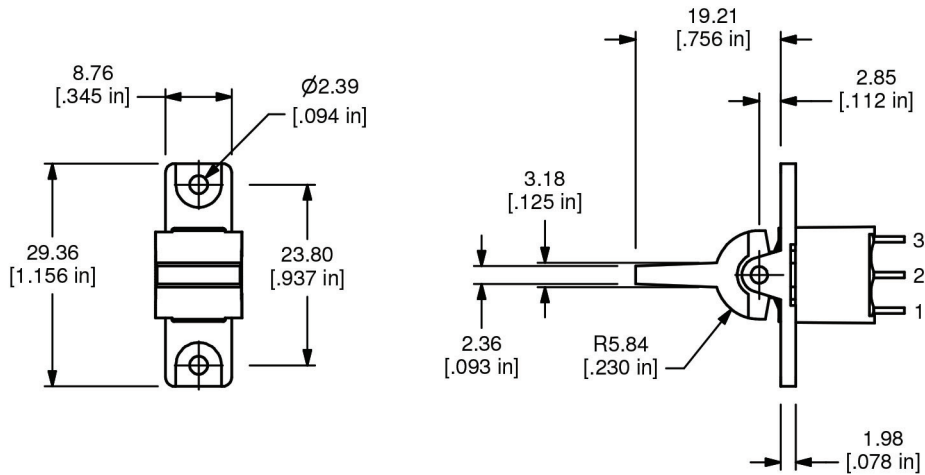


300A SERIES ROCKER SWITCH

PANEL MOUNT ACTUATOR



R11 ACTUATOR



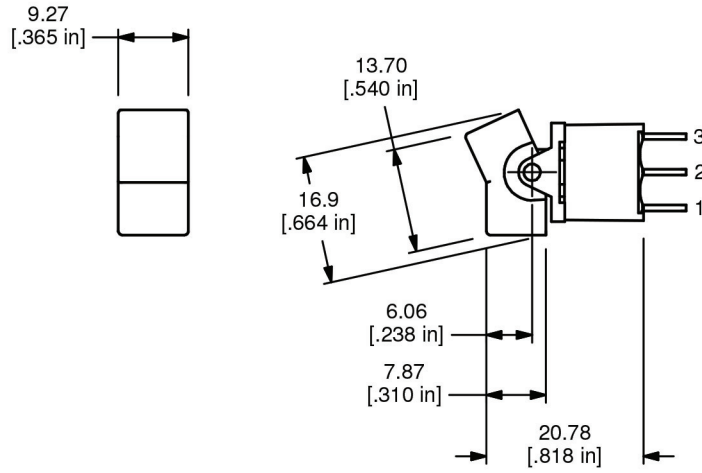
R16 ACTUATOR



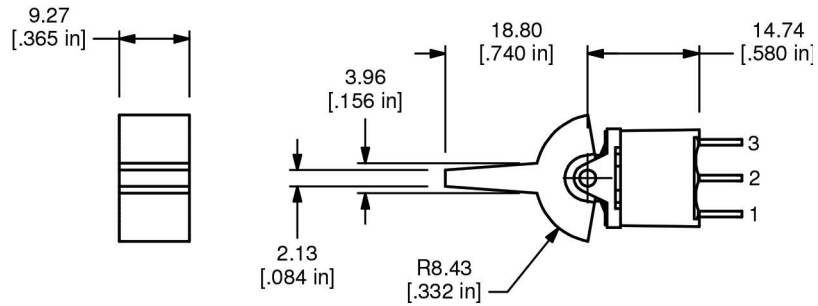
300A SERIES ROCKER SWITCH

PC MOUNT ACTUATOR

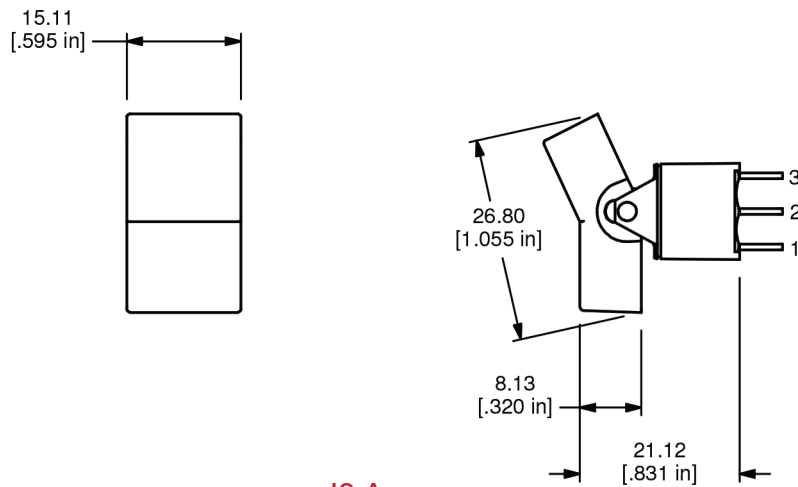
- ANTI-VANDAL SWITCHES
- DETECTOR SWITCHES
- DIP SWITCHES
- KEYLOCK SWITCHES
- NAVIGATION SWITCHES
- PUSHBUTTON SWITCHES
- ROCKER SWITCHES**
- ROTARY SWITCHES
- SLIDE SWITCHES
- SNAP ACTION SWITCHES
- TACTILE SWITCHES
- TOGGLE SWITCHES
- CAP OPTIONS



J1 ACTUATOR



J2 ACTUATOR

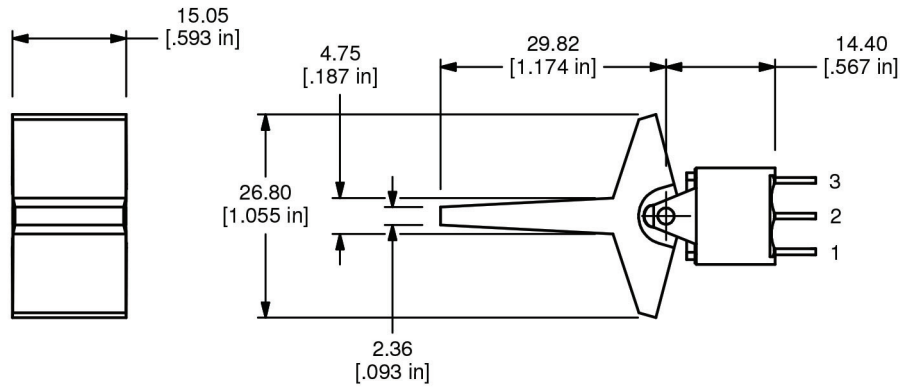


J3 ACTUATOR

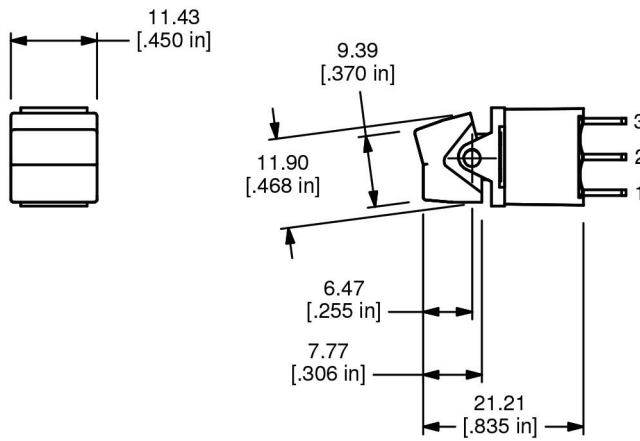


300A SERIES ROCKER SWITCH

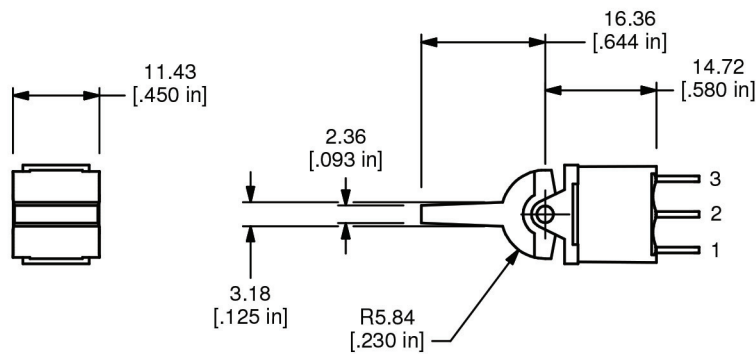
PC MOUNT ACTUATOR



J4 ACTUATOR



J5 ACTUATOR



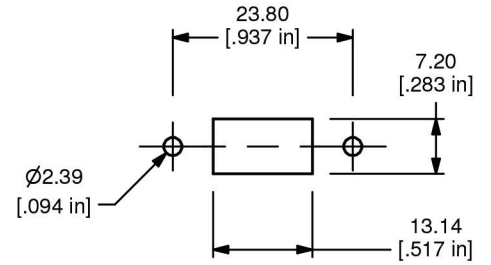
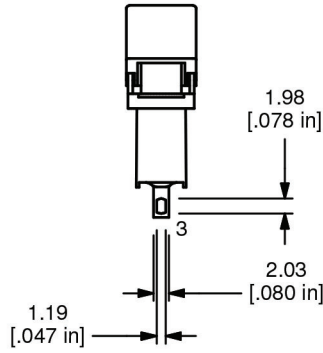
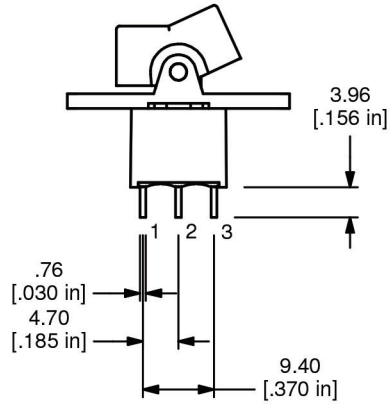
J6 ACTUATOR

- ANTI-VANDAL SWITCHES
- DETECTOR SWITCHES
- DIP SWITCHES
- KEYLOCK SWITCHES
- NAVIGATION SWITCHES
- PUSHBUTTON SWITCHES
- ROCKER SWITCHES**
- ROTARY SWITCHES
- SLIDE SWITCHES
- SNAP ACTION SWITCHES
- TACTILE SWITCHES
- TOGGLE SWITCHES
- CAP OPTIONS



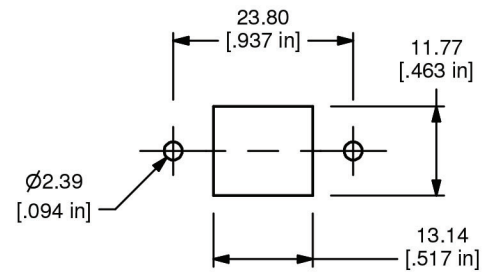
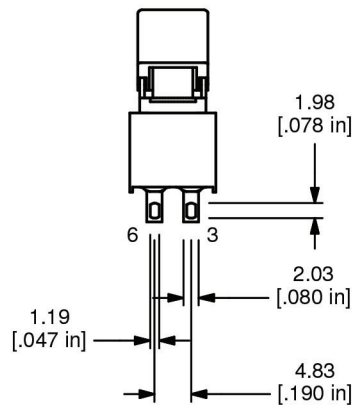
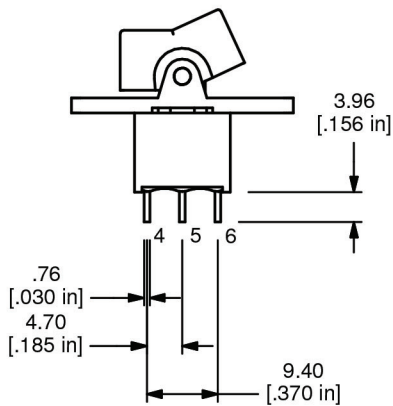
300A SERIES ROCKER SWITCH

PANEL MOUNT TERMINATION



RECOMMENDED M1 SINGLE POLE PANEL CUTOUT

M1 TERMINATION - SP



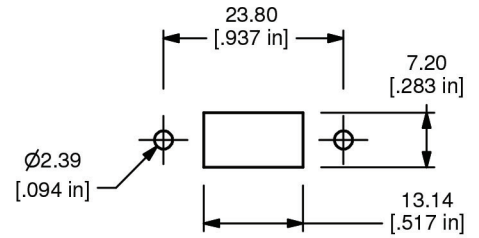
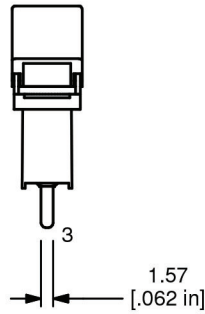
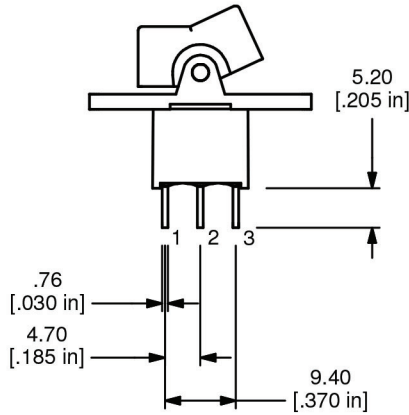
RECOMMENDED M1 DOUBLE POLE PANEL CUTOUT

M1 TERMINATION - DP



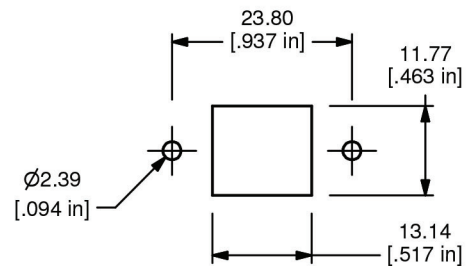
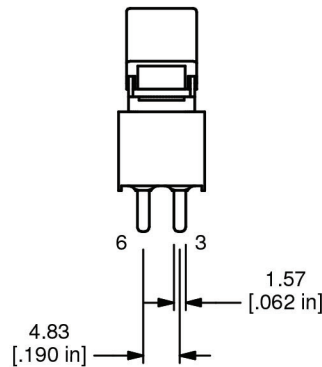
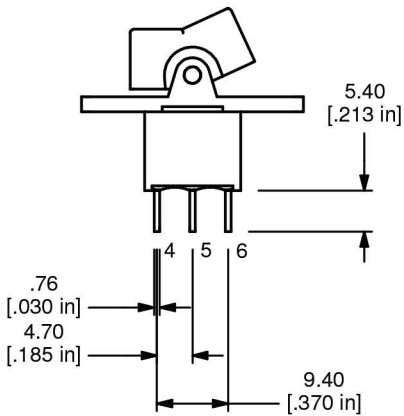
300A SERIES ROCKER SWITCH

PANEL MOUNT TERMINATION



RECOMMENDED M3 SINGLE POLE PANEL CUTOUT

M3 TERMINATION - SP



RECOMMENDED M3 DOUBLE POLE PANEL CUTOUT

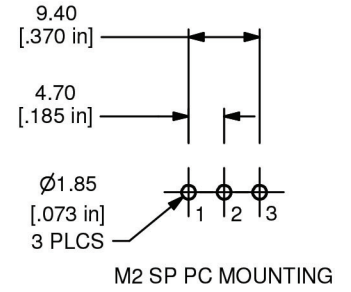
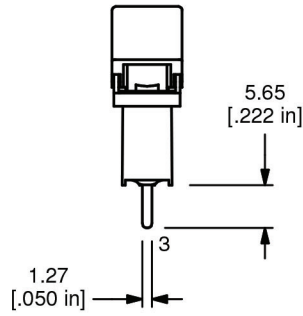
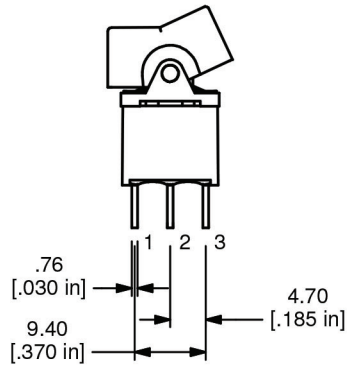
M3 TERMINATION - DP



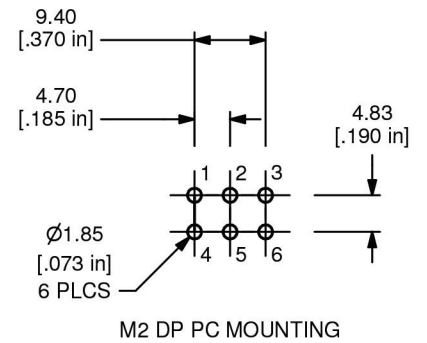
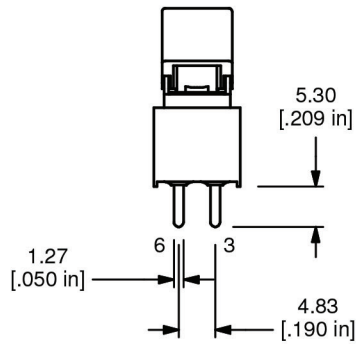
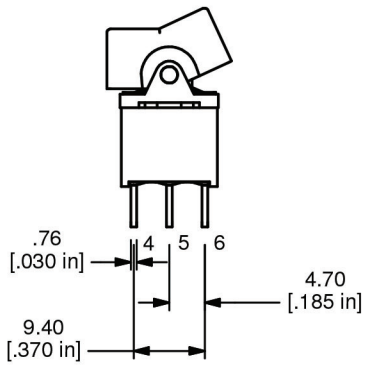
300A SERIES ROCKER SWITCH

PC MOUNT TERMINATION

- ANTI-VANDAL SWITCHES
- DETECTOR SWITCHES
- DIP SWITCHES
- KEYLOCK SWITCHES
- NAVIGATION SWITCHES
- PUSHBUTTON SWITCHES
- ROCKER SWITCHES**
- ROTARY SWITCHES
- SLIDE SWITCHES
- SNAP ACTION SWITCHES
- TACTILE SWITCHES
- TOGGLE SWITCHES
- CAP OPTIONS



M2 TERMINATION - SP

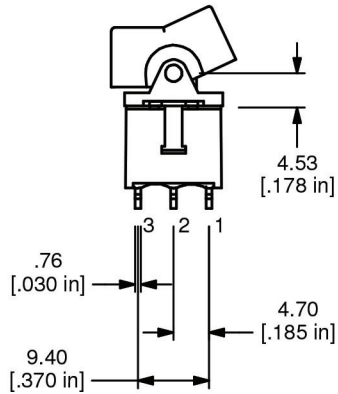
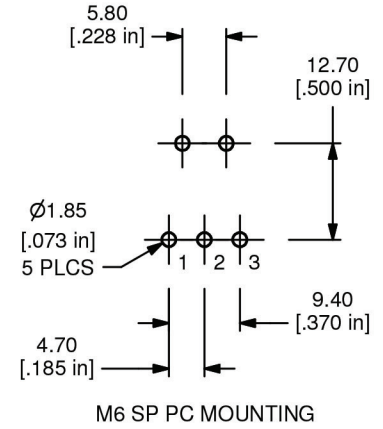
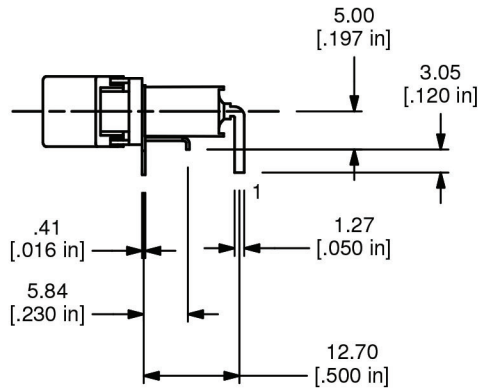
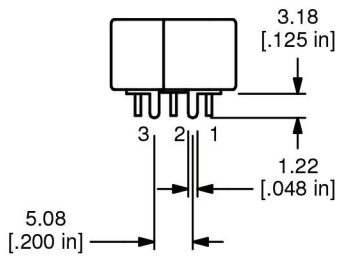


M2 TERMINATION - DP

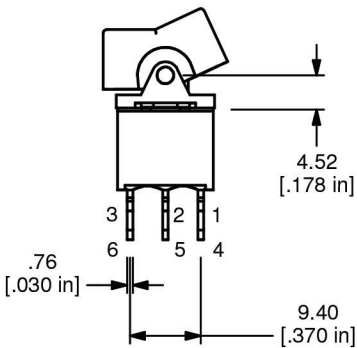
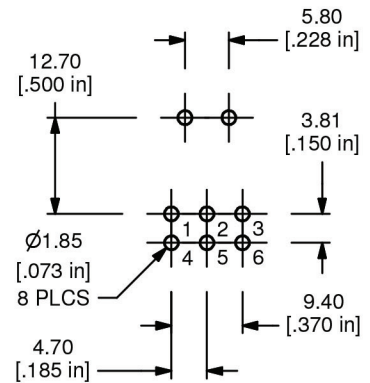
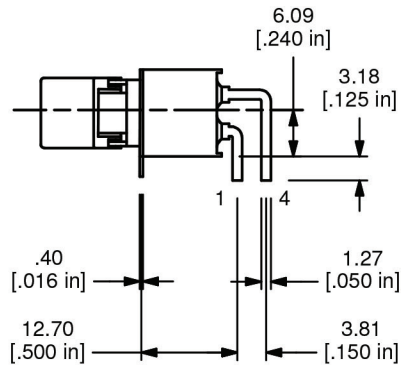
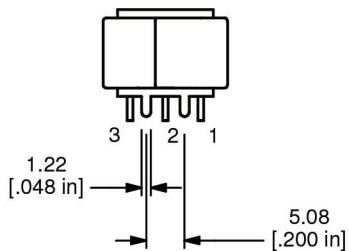


300A SERIES ROCKER SWITCH

PC MOUNT TERMINATION



M6 TERMINATION - SP



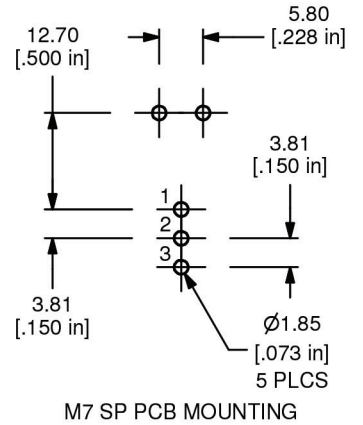
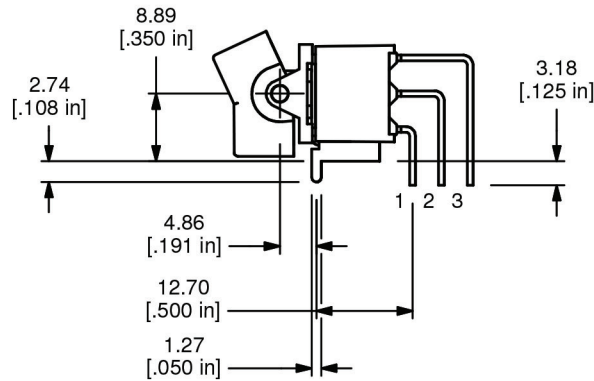
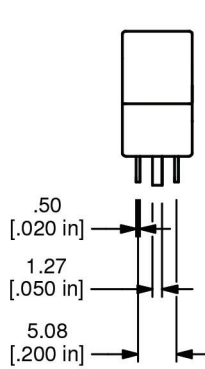
M6 TERMINATION - DP



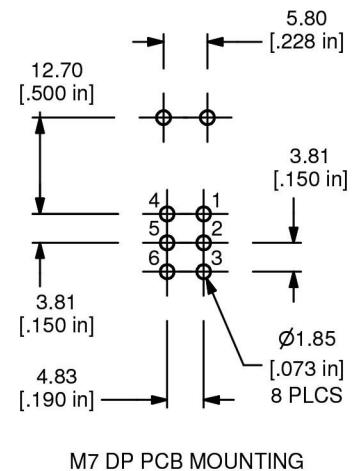
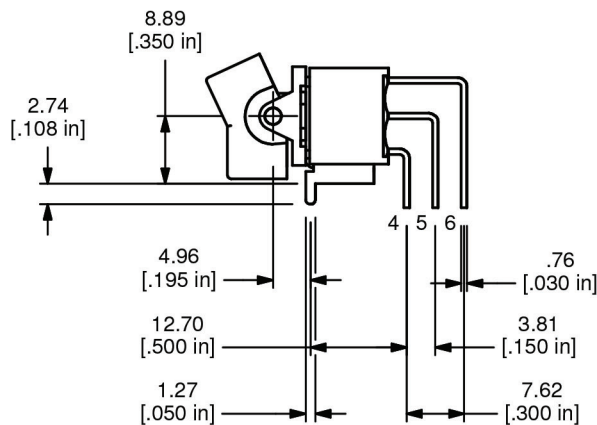
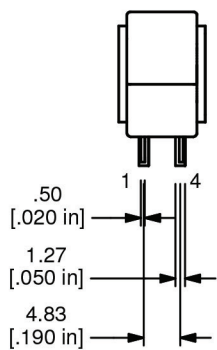
300A SERIES ROCKER SWITCH

PC MOUNT TERMINATION

- ANTI-VANDAL SWITCHES
- DETECTOR SWITCHES
- DIP SWITCHES
- KEYLOCK SWITCHES
- NAVIGATION SWITCHES
- PUSHBUTTON SWITCHES
- ROCKER SWITCHES**
- ROTARY SWITCHES
- SLIDE SWITCHES
- SNAP ACTION SWITCHES
- TACTILE SWITCHES
- TOGGLE SWITCHES
- CAP OPTIONS



M7 TERMINATION - SP

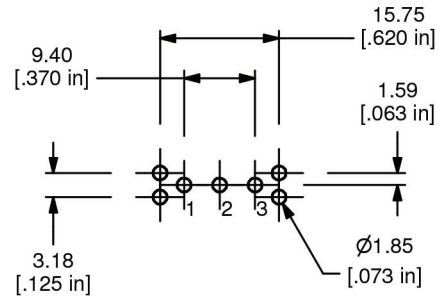
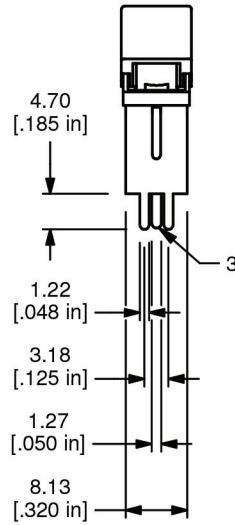
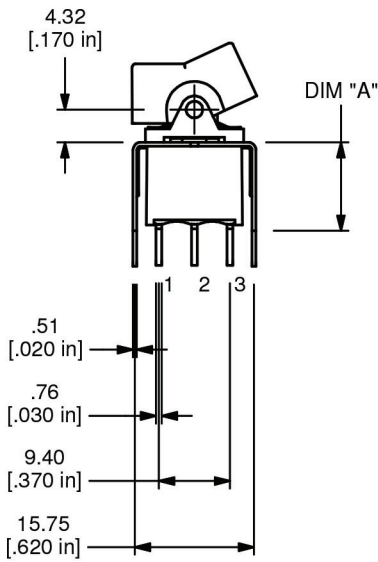


M7 TERMINATION - DP



300A SERIES ROCKER SWITCH

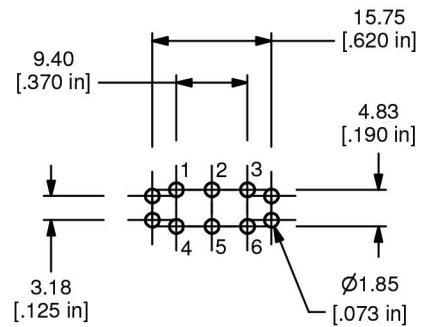
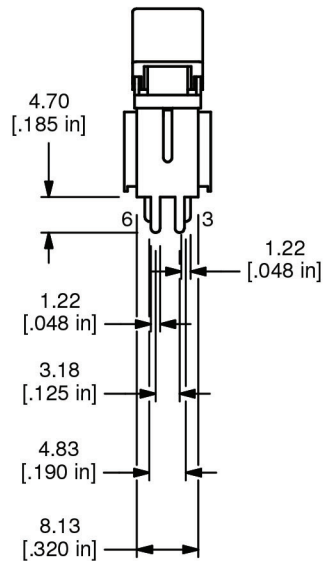
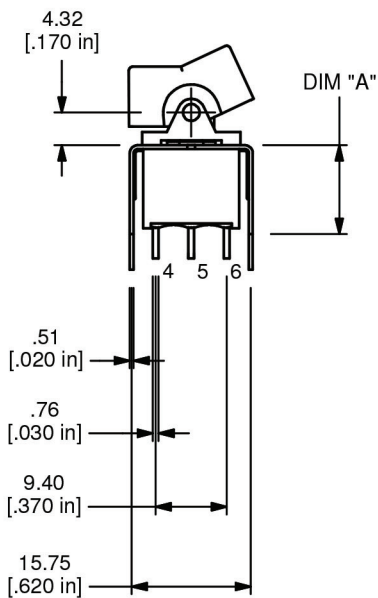
PC MOUNT TERMINATION



VS2-VS3 SP PCB MOUNTING

OPTION	DIM "A"
VS2	11.68 [.460]
VS3	16.00 [.630]

VS2-VS3 TERMINATION - SP



VS2-VS3 DP PCB MOUNTING

OPTION	DIM "A"
VS2	11.68 [.460]
VS3	16.00 [.630]

VS2-VS3 TERMINATION - DP

