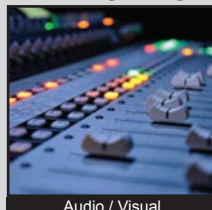


RP8500 SERIES PUSHBUTTON SWITCH

ANTI-VANDAL SWITCHES
DETECTOR SWITCHES
DIP SWITCHES
KEYLOCK SWITCHES
NAVIGATION SWITCHES
PUSHBUTTON SWITCHES
ROCKER SWITCHES
ROTARY SWITCHES
SLIDE SWITCHES
SNAP ACTION SWITCHES
TACTILE SWITCHES
TOGGLE SWITCHES
CAP OPTIONS



APPLICATIONS / MARKETS



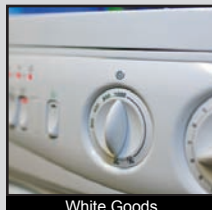
Audio / Visual



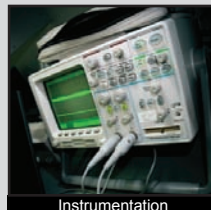
Electrical Housewares



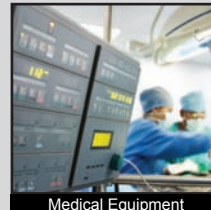
Floor Care Appliances



White Goods



Instrumentation



Medical Equipment

RoHS

SPECIFICATIONS

Electrical Rating: 125mA @ 125VAC; 100mA @ 50VDC
Life Expectancy: 500,000 Cycles
Contact Resistance: 50mΩ Max.
Insulation Resistance: 1,000MΩ Min. @ 500VDC
Dielectric Strength: 1,500VAC for 1 minute
Operating Temperature: -30°C to 85°C
Travel: 1.5mm
Contact Arrangement: SPST, Off-(On)
Actuation Force: 350 gf
Panel Thickness: 1.5mm - 4.0mm
Panel Cutout: 13.6mm diameter
Ingress Protection: IP67

FEATURES & BENEFITS

- Threaded mount
- 500,000 life expectancy
- LED illumination options
- Sealed to IP67 ratings
- Nylon housing & actuator

PART NUMBER CONFIGURATOR

Series	Bushing	Terminal	Contact Material	Seal	Housing Color	Cap Color	LED Color
RP8500	B2 - Threaded (M12 x .75)	M1 - Solder Lug	C - Gold over Silver	E - Epoxy	BLK - Black	WHT - White BLK - Black RED - Red ORG - Orange YEL - Yellow GRN - Green BLU - Blue	WHT - White RED - Red YEL - Yellow GRN - Green BLU - Blue NIL - Non-illuminated

Specifications subject to change without notice



E-SWITCH®

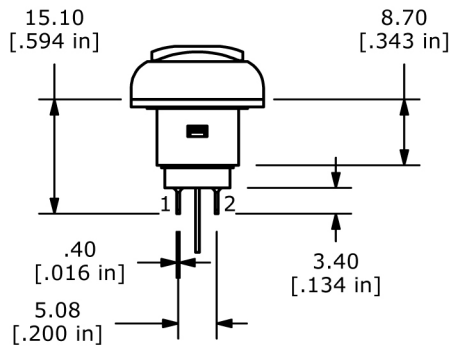
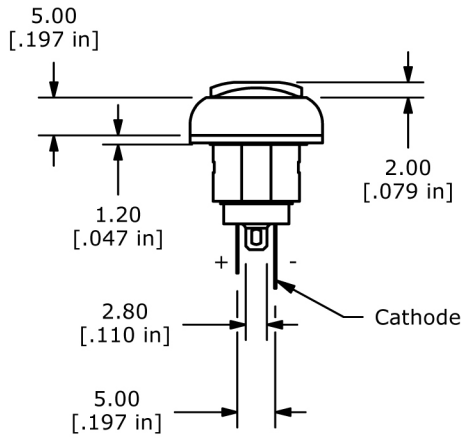
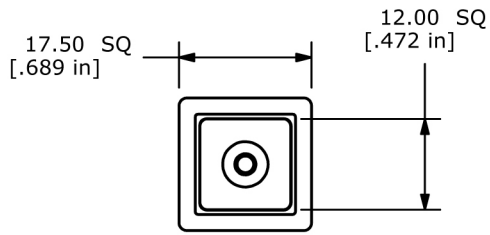
www.e-switch.com

800.867.2717

2

RP8500 SERIES PUSHBUTTON SWITCH

Illuminated



Non-Illuminated

