

# 15W Multi Head 5V DC, 3A

**multicomp** PRO

**RoHS  
Compliant**



## Features

- Interchangeable AC Heads
- DOE Level VI Efficiency
- USB Type C Connector
- Lead length = 1500mm
- Overcurrent Protection
- Short Circuit Protection
- 1-Year Warranty
- EN62368 Approved

Model		MP011415
Output	DC Voltage	5V DC
	Rated Current	3amp
	Current Range	0amp to 3amp
	Rated Power	15 Watt
	Ripple & Noise	240m Vp-p max
	Output Regulation	±5%
	Output Connector	Type C USB connector
Input	Voltage Range	90V AC to 264V AC
	Frequency Range	47Hz to 63Hz
	Input Current	1.2amp Max
	Inrush Current	40amp Max
	Standby Power	0.1 watt Max
	Leakage Current	0.25amp Max
	Input Connector	UK, EU, US & AUS AC Heads
Environment	Operating Temp	0°C to 40°C
	Cooling	Convection
	Temperature Coefficient	0.05%/°C
	Humidity	5 to 95%RH(non-condensing)
	Storage Temp	-20°C to +80°C
Safety & EMC	Safety Standards	UL/CUL 62368-1, GS/TUV EN62368-1, SAA AS/NZ62368-1
	EMC Emissions	EN55032,EN55035, FCC Part 15 Class B

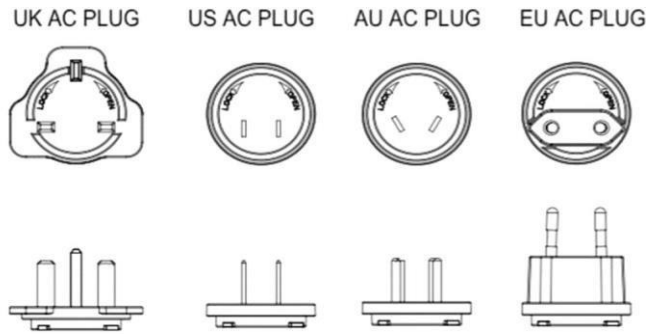
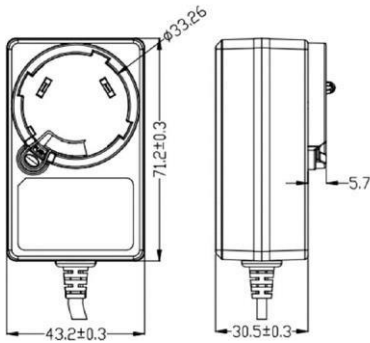
Newark.com/multicomp-pro  
Farnell.com/multicomp-pro  
sg.element14.com/b/multicomp-pro

**multicomp** PRO

# 15W Multi Head 5V DC, 3A

multicomp **PRO**

## Mechanical Specification



Lead length = 1500mm



Dimensions: Millimeters

## Part Number Table

Description	Part Number
Multi Head External Power Supply, USB Type C	MP011415

**Important Notice** : This data sheet and its contents (the "Information") belong to the members of the AVNET group of companies (the "Group") or are licensed to it. No licence is granted for the use of it other than for information purposes in connection with the products to which it relates. No licence of any intellectual property rights is granted. The Information is subject to change without notice and replaces all data sheets previously supplied. The Information supplied is believed to be accurate but the Group assumes no responsibility for its accuracy or completeness, any error in or omission from it or for any use made of it. Users of this data sheet should check for themselves the Information and the suitability of the products for their purpose and not make any assumptions based on information included or omitted. Liability for loss or damage resulting from any reliance on the Information or use of it (including liability resulting from negligence or where the Group was aware of the possibility of such loss or damage arising) is excluded. This will not operate to limit or restrict the Group's liability for death or personal injury resulting from its negligence. Multicomp Pro is the registered trademark of Premier Farnell Limited 2019.

Newark.com/multicomp-pro  
Farnell.com/multicomp-pro  
sg.element14.com/b/multicomp-pro

multicomp **PRO**