

**RoHS
Compliant**



Features

- Microminiature relay
- Dimensions: 18.2mm × 10.2mm × 15.5mm
- 10A switching capacity
- Contact: 1 Form A
- Reinforced insulation between coil and contact

Specification

Contact Data		
Contact Form	1 Form A	
Contact Material	Ag Alloy	
Contact Rating	Resistive: 10A 250V AC Horsepower: 1/3HP 240V AC (450mW) Horsepower: 1/4HP 240V AC TV-5 250V AC	
Contact Resistance	Max. 100mΩ (6V DC 1A)	
Load	Max. Switching Voltage	277V AC/30V DC
	Max. Switching Current	10A
	Max. Switching Power	2500VA, 300W
	Min. Switching Load	5V DC, 100mA
Life	Electrical	100,000 operations
	Mechanical	1,000,000 operations
Coil Data		
Nominal Coil Power	200mW, 450mW	
General Data		
Insulation Resistance	Min. 1000MΩ 500V DC	
Dielectric Strength	Between open contacts	1,000V AC, 1min
	Between coil and contacts	4,000V AC, 1min
Operate Time	Max. 10ms	
Release Time	Max. 5ms	
Operating Temperature	-40°C to +85°C	
Humidity	35-95%RH, 40°C	
Shock Resistanc	Endurance	1,000m/s ²
	Misoperation	100m/s ²
Vibration Resistance	Endurance	10-55Hz, 1.5mm double amplitude
	Misoperation	
Weight	Approximately 6g	

Note:Data shown are of initial value

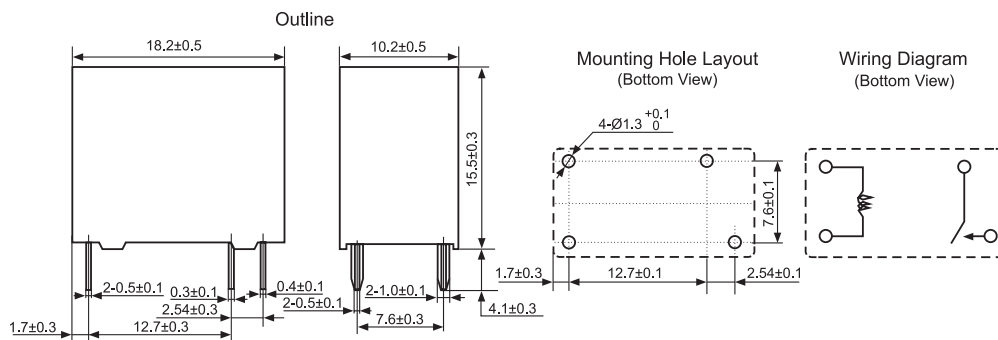
Newark.com/multicomp-pro
Farnell.com/multicomp-pro
sg.element14.com/b/multicomp-pro

Coil Data

Ambient Temperature: 23°C

Model	Nominal Voltage V DC	Coil Resistance $\Omega \pm 10\%$	Operate Voltage $\leq V$ DC	Release Voltage $\geq V$ DC	Coil Power mW
MPHRS3FN-S-DC5V-A	5	55.6	3.5	0.5	450
MPHRS3FN-S-DC24V-A	24	1280	16.8	2.4	
MPHRS3FNH-S-DC5V-A	5	125	3.75	0.5	200
MPHRS3FNH-S-DC24V-A	24	2880	18	2.4	

Outline, Wiring Diagram, Mounting Hole Layout



Part Number Table

Description	Part Number
Power Relay, PCB Type, NO, 0.45W, 5 Amp, 5V DC	MPHRS3FN-S-DC5V-A
Power Relay, PCB Type, NO, 0.45W, 5 Amp, 24V DC	MPHRS3FN-S-DC24V-A
Power Relay, PCB Type, NO, 0.2W, 10 Amp, 5V DC	MPHRS3FNH-S-DC5V-A
Power Relay, PCB Type, NO, 0.2W, 10 Amp, 24V DC	MPHRS3FNH-S-DC24V-A

Dimensions : Millimetres

Important Notice : This data sheet and its contents (the "Information") belong to the members of the AVNET group of companies (the "Group") or are licensed to it. No licence is granted for the use of it other than for information purposes in connection with the products to which it relates. No licence of any intellectual property rights is granted. The Information is subject to change without notice and replaces all data sheets previously supplied. The Information supplied is believed to be accurate but the Group assumes no responsibility for its accuracy or completeness, any error in or omission from it or for any use made of it. Users of this data sheet should check for themselves the Information and the suitability of the products for their purpose and not make any assumptions based on information included or omitted. Liability for loss or damage resulting from any reliance on the Information or use of it (including liability resulting from negligence or where the Group was aware of the possibility of such loss or damage arising) is excluded. This will not operate to limit or restrict the Group's liability for death or personal injury resulting from its negligence. Multicomp Pro is the registered trademark of Premier Farnell Limited 2019.

Newark.com/multicomp-pro
 Farnell.com/multicomp-pro
 sg.element14.com/b/multicomp-pro