

**RoHS  
Compliant**



## Features

- Magnetic Latching Relay
- Outline Dimension: 24.2mm × 13mm × 16.4mm
- 20A of switching capability
- Contact: 1 Form A
- Only pulse excitation, single and double coil work available
- Dielectric strength of 4000V between coil and contacts

## Specification

Contact Data		
Contact Form	1 Form A	
Contact Material	Ag Alloy	
Contact Rating	16A 250V AC, 5×10 <sup>4</sup> (Res) 20A 250V AC, 2×10 <sup>4</sup> (Res) 1.5HP 250V AC, 3×10 <sup>4</sup> (HP) TV-8 250VAC, 2.5×10 <sup>4</sup>	
Contact Resistance	Max. 50mΩ (6V DC 1A)	
Load	Max. Switching Voltage	277V AC/30V DC
	Max. Switching Current	20A
	Max.Short Circuit Current	500A/2ms
	Min. Switching Load	100mA 5V DC
Life	Electrical	Refer to "contact load"
	Mechanical	1×10 <sup>6</sup> ops (300ops/min)
Coil Data		
Coil Power for standard type	L1: 0.8W, L2: 1.2W	
Coil Power for high sensitivity	L1: 0.6W, L2: 0.8W	
General Data		
Insulation Resistance	Min.100MΩ 500V DC	
Dielectric Strength	Between open contacts	1,000V AC,50/60Hz, 1min
	Between coil and contacts	4,000V AC,50/60Hz,1min
Operate Time	Max. 15ms	
Release Time		
Operating Temperature	-40°C to +85°C	
Humidity	5-85%RH, 40°C	
Shock Resistanc	Endurance	1,000m/s <sup>2</sup>
	Misoperation	100m/s <sup>2</sup>
Vibration Resistance	Endurance	10-55Hz, 1.5mm double amplitude
	Misoperation	
Weight	Approximately 11dg	

Note:Data shown are of initial value

Newark.com/multicomp-pro  
Farnell.com/multicomp-pro  
sg.element14.com/b/multicomp-pro

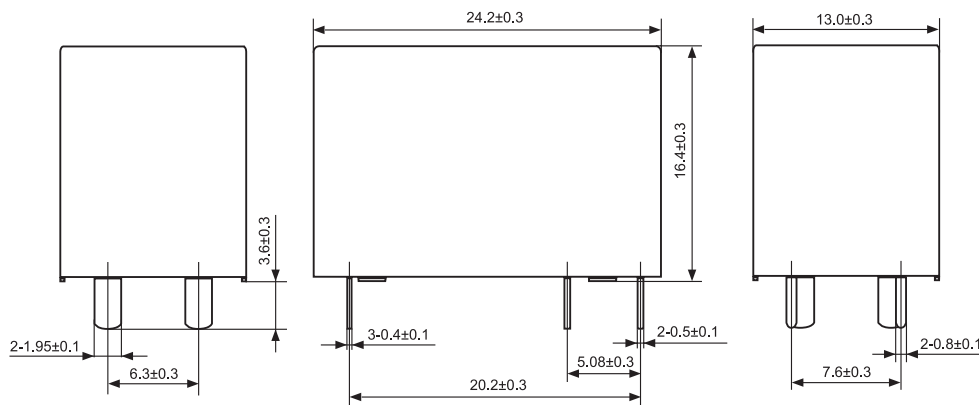
## Coil Data

Model	Nominal Voltage V DC	Coil Resistance $\Omega$ +/-10%	Operate Voltage $\leq$ V DC	Reset Voltage $\leq$ V DC	Coil Power W	Pulse width $\geq$ ms
MPHKE18H-S-DC5V-A-L1	5	41.7	3.75	3.75	0.6	50
MPHKE18H-S-DC5V-A-L2	5	31.3+31.3			0.8	

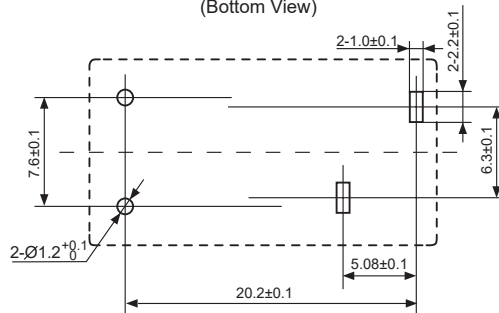
## Outline, Wiring Diagram, Mounting Hole Layout

L1 - Single coil

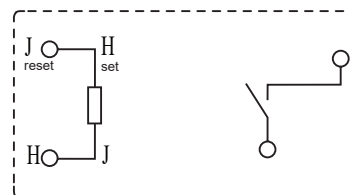
Outline



Mounting Hole for L1  
(Bottom View)



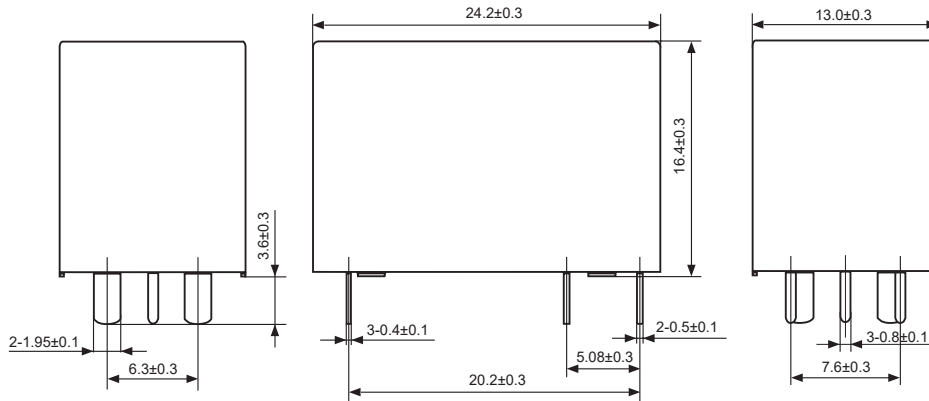
Wiring for L1  
(Bottom View)



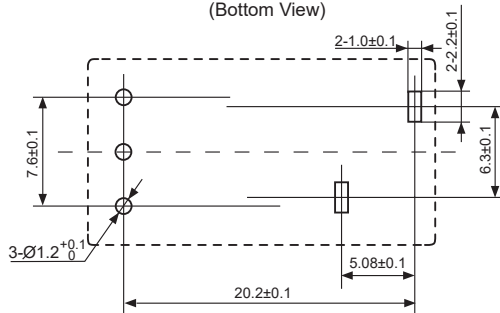
Dimensions : Millimetres

## L2 - Double coil

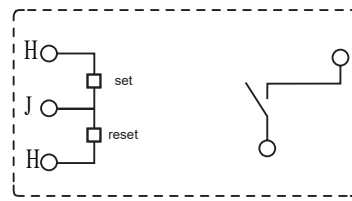
### Outline



### Mounting Hole for L2 (Bottom View)



### Wiring for L2 (Bottom View)



## Part Number Table

Description	Part Number
Power Relay, PCB Type, NO,0.6W, 16A, 50ms, 5V DC	MPHKE18H-S-DC5V-A-L1
Power Relay, PCB Type, NO,0.8W, 16A, 50ms, 5V DC	MPHKE18H-S-DC5V-A-L2

**Important Notice :** This data sheet and its contents (the "Information") belong to the members of the AVNET group of companies (the "Group") or are licensed to it. No licence is granted for the use of it other than for information purposes in connection with the products to which it relates. No licence of any intellectual property rights is granted. The Information is subject to change without notice and replaces all data sheets previously supplied. The Information supplied is believed to be accurate but the Group assumes no responsibility for its accuracy or completeness, any error in or omission from it or for any use made of it. Users of this data sheet should check for themselves the Information and the suitability of the products for their purpose and not make any assumptions based on information included or omitted. Liability for loss or damage resulting from any reliance on the Information or use of it (including liability resulting from negligence or where the Group was aware of the possibility of such loss or damage arising) is excluded. This will not operate to limit or restrict the Group's liability for death or personal injury resulting from its negligence. Multicomp Pro is the registered trademark of Premier Farnell Limited 2019.