

**RoHS
Compliant**



Specification

Waterproof Rate : IP67

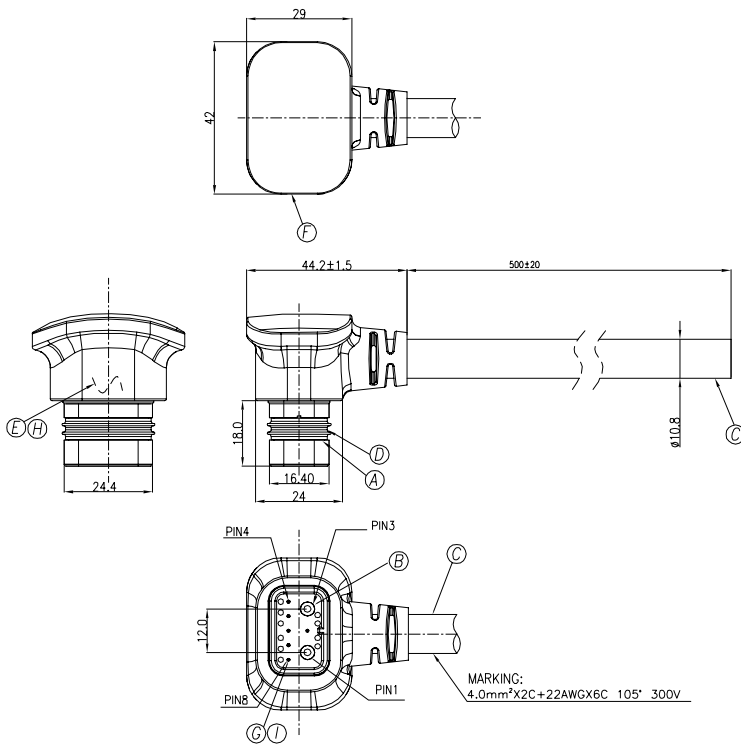
Electrical Characteristics

Rating : 60V DC 32A Peak 45A
 Contact Resistance : 2Ω max. (With Cable)
 Dielectric Withstanding Voltage : 500V AC, For One Minute
 Insulation Resistance : 50MΩ Min. Measured By 500V DC

Mechanical Characteristics

Insertion/Withdrawal Force : 0.6 kgf min. (Initial)
 Life Test : 5000 Cycles Min.
 Temperature Rise Can't Exceed 50°C (Only For Connector Side)

Diagram



No.	Wire Colour	Wire Spec.
Pin1	Red	4mm ²
Pin2	Brown	22AWG
Pin3	Black	4mm ²
Pin4	Green	22AWG
Pin5	Purple And White	
Pin6	Purple	
Pin7	White	
Pin8	Blue	

Dimensions : Millimetres

Newark.com/multicomp-pro
 Farnell.com/multicomp-pro
 sg.element14.com/b/multicomp-pro

EV Charging Cables

No.	Description	Qty.	Material	Plating & Color
A	Housing	1	Thermoplastic	Black
B	Discharge Pin1	2	Brass	Gold Flash Plating, Over 500u" Ni
C	Cable	1	4mm ² × 2C + (22AWG × 1P+AL) + 22AWG × 4C	Orange
D	Gasket		Silicon	Black
E	Inner Mold		Plastic	Nature
F	Over Mold			Orange
G	Pin 2	6	Brass	Gold Flash Plating, Over 500u" Ni
H	Liquid Glue	1	JA723A+B	Black
I	Heat Shring Tube	4	Ø1.6	

Part Number Table

Description	Part Number
EV Charging Cable, Discharging, IP67	MP013749

Important Notice : This data sheet and its contents (the "Information") belong to the members of the AVNET group of companies (the "Group") or are licensed to it. No licence is granted for the use of it other than for information purposes in connection with the products to which it relates. No licence of any intellectual property rights is granted. The Information is subject to change without notice and replaces all data sheets previously supplied. The Information supplied is believed to be accurate but the Group assumes no responsibility for its accuracy or completeness, any error in or omission from it or for any use made of it. Users of this data sheet should check for themselves the Information and the suitability of the products for their purpose and not make any assumptions based on information included or omitted. Liability for loss or damage resulting from any reliance on the Information or use of it (including liability resulting from negligence or where the Group was aware of the possibility of such loss or damage arising) is excluded. This will not operate to limit or restrict the Group's liability for death or personal injury resulting from its negligence. Multicomp Pro is the registered trademark of Premier Farnell Limited 2019.