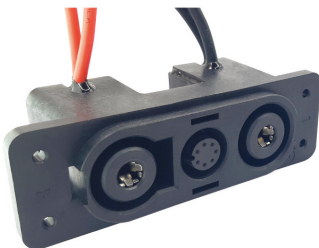


EV Charging Connector

multicomp^{PRO}

**RoHS
Compliant**



Specification

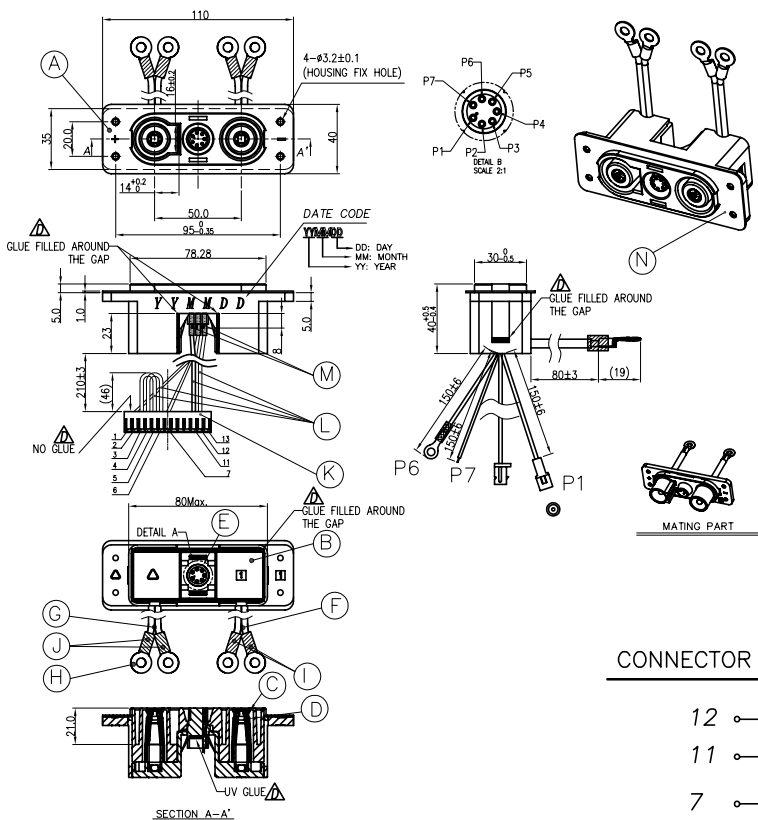
Electrical Characteristics

Rating : 60V DC 60A
Contact Resistance : 0.35mΩ max. (Initial)

Mechanical Characteristics

Insertion/Withdrawl Force : 10kgf max. (Initial)
Life Test : 5000 Cycles Min.

Diagram



CONNECTOR B	WIRE DIAGRAM	BATTERY CONNECTOR DETECT PIN
12	BLACK (UL1061 28AWG)	P4
11	RED (UL1061 28AWG)	P5
7	YELLOW(UL1061 28AWG)	P3
6	BLUE (UL1061 28AWG)	
5		
4		
3	GREEN(UL1061 28AWG)	
2	WHITE(UL1061 28AWG)	P2
CONNECTOR A		
TERMINAL		
	RED(UL1015 18AWG)	P1
	BLACK(UL1015 18AWG)	P6
	YELLOW(UL1007 26AWG)	P7

Dimensions : Millimetres

Newark.com/multicomp-pro
Farnell.com/multicomp-pro
sg.element14.com/b/multicomp-pro

multicomp^{PRO}

EV Charging Connector

multicomp PRO

No.	Description	Qty.	Material	Plating & Color
A	Housing	1	High Temp. Thermoplastic	Black Colour
B	Cover		High Temp. Thermoplastic UL 94V-0	
C	Terminal	2	Copper Alloy 0.8t	Silver Plating
D	Spring	2	SUS304 0.5t	N/A
E	7 Pin Connector	1	Copper Alloy	Gold Plating
F	Wire	2	UL1015 #12	Black Colour
G				Red Colour
H	R-Terminal	4	OD 8.5 ID 5.3 T=1.1	Tin Plating
I	Heat Shrink Tube	2	Ø6 L=25	Red Colour
J				Black Colour
K	Connector B	8	TER:Phosphor Bronze	Tin-Plated
		1	HSG : Nylon UL94V-0	White Colour
L	Wire	6	See Wire Diagram	See Wire Diagram
M	Heat Shrink Tube	4	Ø3 L=15	Black
N	Gasket	1	Silicon	

Part Number Table

Description	Part Number
Battery Connector, 60V DC / 60A	MP013753

Important Notice : This data sheet and its contents (the "Information") belong to the members of the AVNET group of companies (the "Group") or are licensed to it. No licence is granted for the use of it other than for information purposes in connection with the products to which it relates. No licence of any intellectual property rights is granted. The Information is subject to change without notice and replaces all data sheets previously supplied. The Information supplied is believed to be accurate but the Group assumes no responsibility for its accuracy or completeness, any error in or omission from it or for any use made of it. Users of this data sheet should check for themselves the Information and the suitability of the products for their purpose and not make any assumptions based on information included or omitted. Liability for loss or damage resulting from any reliance on the Information or use of it (including liability resulting from negligence or where the Group was aware of the possibility of such loss or damage arising) is excluded. This will not operate to limit or restrict the Group's liability for death or personal injury resulting from its negligence. Multicomp Pro is the registered trademark of Premier Farnell Limited 2019.

Newark.com/multicomp-pro
Farnell.com/multicomp-pro
sg.element14.com/b/multicomp-pro

multicomp PRO