




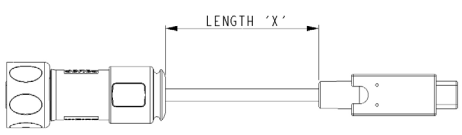
- ⊕ IP66, IP68 and IP69K rated
- ⊕ USB3.2 supported
- ⊕ Plug and play capability
- ⊕ Shielded system
- ⊕ Secure, proven locking system
- ⊕ EN60068-2-52 Test Kb Salt Mist (Cyclic) Marine Severity Level 1
- ⊕ Data rates up to 20 Gbps
- ⊕ Tamperproof Construction
- ⊕ Colour coded O-rings & washers for easy identification purposes




Sealed 'C' type to Standard 'C'

PXP4041/C/C

- Sealed Plug USB 'C' to Standard Plug USB 'C'
- Available in 1, 2, 3 & 5m lengths
- Plug variant mates with PXP4043/C
- USB3.2 Supported



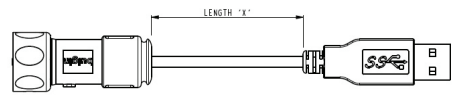
| Part No. | Length | Description |
|------------------|--------|---|
| PXP4041/C/C/1M00 | 1.0m | IP-sealed 'C' type to Standard 'C' type USB |
| PXP4041/C/C/2M00 | 2.0m | IP-sealed 'C' type to Standard 'C' type USB |
| PXP4041/C/C/3M00 | 3.0m | IP-sealed 'C' type to Standard 'C' type USB |
| PXP4041/C/C/5M00 | 5.0m | IP-sealed 'C' type to Standard 'C' type USB |




Sealed 'C' type to Standard 'A'

PXP4040/C/A

- Sealed Plug USB 'C' to Standard Plug USB 'A'
- Available in 1, 2, 3 & 5m lengths
- Plug variant mates with PXP4043/C
- USB3.2 Supported



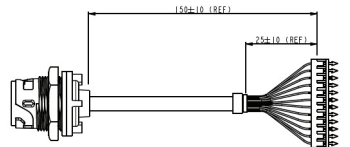
| Part No. | Length | Description |
|------------------|--------|---|
| PXP4040/C/A/1M00 | 1.0m | IP-sealed 'C' type to Standard 'A' type USB |
| PXP4040/C/A/2M00 | 2.0m | IP-sealed 'C' type to Standard 'A' type USB |
| PXP4040/C/A/3M00 | 3.0m | IP-sealed 'C' type to Standard 'A' type USB |
| PXP4040/C/A/5M00 | 5.0m | IP-sealed 'C' type to Standard 'A' type USB |




Rear Panel Mount

PXP4043/C

- Sealed Socket USB 'C' Connector
- Leaded with 2x 12 way header
- Socket variant mates with PXP4040/C/A and PXP4041/C/C type cables
- USB3.2 supported



| Part no. | Description |
|-----------|--|
| PXP4043/C | IP-sealed 'C' type USB, rear panel mounted. 2x 12 way header connector at rear |



Sealing Caps

- Sealing caps to maintain IP rating when connectors are not in use

| Part no. | Description |
|----------|--|
| PXP4081 | Sealing cap for use with PXP4040/C/A and PXP4041/C/C |
| PXP4083 | Sealing cap for use with PXP4043/C |

O-ring & washer pack



| Part no. | Description |
|------------|--|
| PXP4089/YL | Yellow coloured O-ring and washer pack |
| PXP4089/BL | Blue coloured O-ring and washer pack |
| PXP4089/RD | Red coloured O-ring and washer pack |
| PXP4089/WH | White coloured O-ring and washer pack |
| PXP4089/GN | Green coloured O-ring and washer pack |

Cables & connectors

Mechanical

| | |
|-----------------------|--|
| Sealing | IP69K, DIN40050-9 IP68, EN60529:1992+A2:2013 (10m depth for 2 weeks) IP66, EN60529:1992+A2:2013 |
| Panel Mount Nut | 1.0 - 1.1Nm (91lb.in) |
| Operating temperature | -40°C to +80°C |
| Salt Mist | EN60068-2-52 Test Kb Salt Mist (Cyclic) Marine Severity Level 1 |

Electrical

| | |
|--------------------|----------------------------|
| No. of Contacts | 2x 12 way |
| Current rating | 5A |
| Voltage rating | ≤ 30V AC |
| Contact resistance | 40m Ω max. |
| USB3.2 Gen 1: | 5Gbps (2m maximum length) |
| USB3.2 Gen 2: | 10Gbps (1m maximum length) |
| USB3.2 Gen 1x2: | 10Gbps (2m maximum length) |
| USB3.2 Gen 2x2: | 20Gbps (1m maximum length) |

| | |
|-------------|--------|
| Performance | USB3.2 |
|-------------|--------|

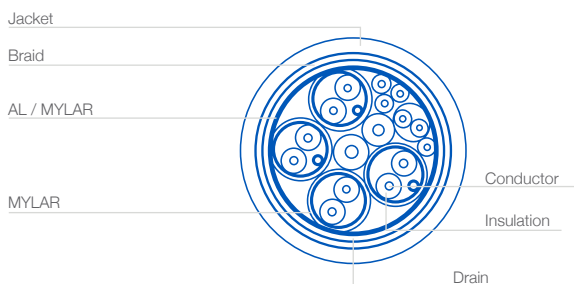
Materials - Re-wireable and Panel Connectors

| | |
|-------------------------------|--------------------|
| Shell material | Stainless Steel |
| Shell plating | Nickel |
| Contact material | Copper Alloy |
| Contact plating | 30 micro inch Gold |
| Connector body & locking ring | PC/PBT |
| Panel connector | PC/PBT |
| Flammability rating | UL94V-0 |
| 'O' rings | Silicone |
| Mating cycles | 1,000 |
| RoHS | Compliant |

Materials - cable

| | |
|--------------|---------------------|
| Cable Jacket | PVC (black) |
| Screen | Tinned copper braid |
| Flammability | UL94V-0 |
| RoHS | Compliant |

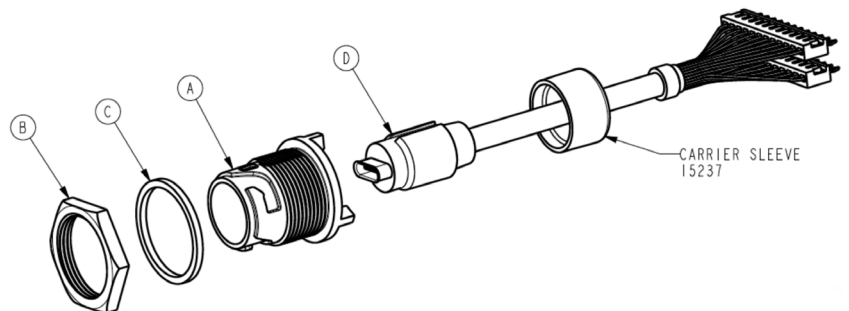
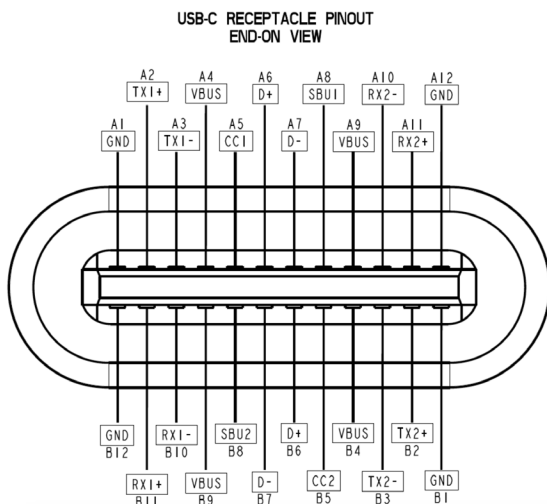
Cable construction - PXP4040/C/A, PXP4041/C/C & PXP4043/C



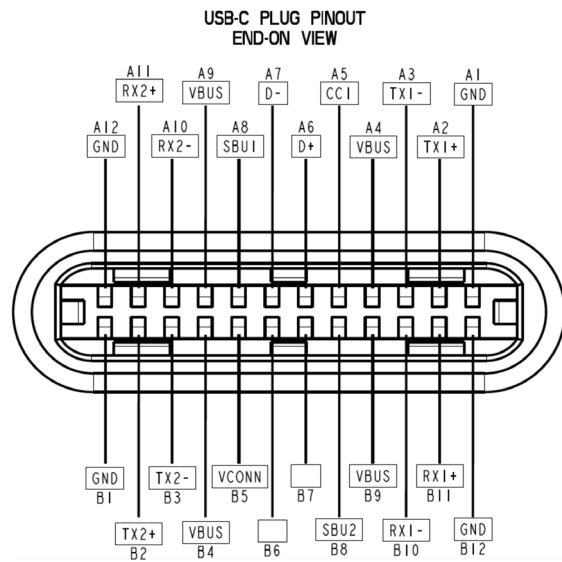
| | Wire Colour | Label | Type | Cable Number | PCB Header Plugs P2 | PCB Header Plugs P3 |
|-----|-------------|-------|----------------------|--------------|---------------------|---------------------|
| A1 | - | Gnd | Braid | - | 1 | - |
| A2 | Orange | Tx1+ | (Shielded Twisted) | 3 | 2 | - |
| A3 | Brown | Tx1- | (Shielded Twisted) | 3 | 3 | - |
| A4 | Red | Vbus | Power | 11 | 4 | - |
| A5 | Blue | CC | Single | 10 | 5 | - |
| A6 | White | D0+ | (Shielded Twisted) | 5 | 6 | - |
| A7 | Green | D0- | (Shielded Twisted) | 5 | 7 | - |
| A8 | Orange | SbuA | Single | 8 | 8 | - |
| A9 | Red | Vbus | Power | 11 | 9 | - |
| A10 | Blue | Rx2+ | (Shielded Twisted) | 2 | 10 | - |
| A11 | Black | Rx2- | (Shielded Twisted) | 2 | 11 | - |
| A12 | - | Gnd | Braid | - | 12 | - |
| B1 | - | Gnd | Braid | - | - | 12 |
| B2 | White | Tx2+ | (Shielded Twisted) | 1 | - | 11 |
| B3 | Red | Tx2- | (Shielded Twisted) | 1 | - | 10 |
| B4 | Red | Vbus | Power | 11 | - | 9 |
| B5 | Yellow | Vconn | Single | 9 | - | 8 |
| B6 | Purple | DI- | (Twisted Pair) | 6 | - | 7 |
| B7 | Grey | DI+ | (Twisted Pair) | 6 | - | 6 |
| B8 | Brown | SbuB | Single | 7 | - | 5 |
| B9 | Red | Vbus | Power | 11 | - | 4 |
| B10 | Yellow | RX1- | (Shielded Twisted) | 4 | - | 3 |
| B11 | Green | RX1+ | (Shielded Twisted) | 4 | - | 2 |
| B12 | - | Gnd | Braid | - | - | 1 |

Receptacle Plug Colour Key:

- A1, A12, B12, B1:** Cable Ground
- A2, A3, B3, B2:** High Speed Path (TX for USB or for DP Alt mode)
- A4, A9, B9, B4:** Cable Bus Power
- A6, A7, B7, B6:** USB 2.0 Interface
- A8, B8:** For Sideband Use (not used for USB)
- A5, B5:** Plug Configuration Detection (- One becomes Vconn, for cable or adaptor power. - CC is used for USB-PD communication)
- A10, A11, B11, B10:** High Speed Data Path (RX for USB, or TX for DP Alt Mode)



| | Wire Colour | Label | Type | Cable Number | USB-3 Plug P2 |
|------------------|----------------------|---------|------------------|--------------|---------------|
| A1, B1, A12, B12 | - | Gnd | Braid | - | 4, 7 |
| A4, B4, A9, B9 | Red | Vbus | - | 10, 11 | 1 |
| A5 | - | CC | - | - | - |
| B5 | - | Vconn | - | - | - |
| A6 | Green | Dp 1 | (Twisted Pair) | 5 | 3 |
| A7 | White | D - | (Twisted Pair) | 5 | 2 |
| A2 | Blue (Brown Jacket) | SSTXp 1 | (Twisted Pair) | 1 | 6 |
| A3 | White (Brown Jacket) | SSTXn 1 | (Twisted Pair) | 1 | 5 |
| B11 | Blue (Red Jacket) | SSRXp 1 | (Twisted Pair) | 2 | 9 |
| B10 | White (Red Jacket) | SSRXn 1 | (Twisted Pair) | 2 | 8 |
| Shell | - | - | Braid | Screen | Shield |



Wiring Notes:

1. Cable used has shielded twisted pairs with drain wires used for all SDP's.
2. Pin A5 (CC) of the USB Type-C Plug shall be connected to Vbus through a 56 K Ω \pm 5% resistor.
3. Contacts B6 and B7 are not connected in the USB Type-C Plug.
4. All Vbus pins are connected together within the USB Type-C Plug. A Bypass Capacitor is required between the ground pins in the USB Type-C Plug side of the cable. The Bypass Capacitor is 10nF \pm 20%. The bypass capacitor shall be as close as possible to the power supply pad.
5. All ground return pins are connected together within the USB Type-C Plug.
6. Shield and Gnd grounds are connected within the USB Type-C and USB 3.1 standard-A plugs on both ends of the cable assembly.
7. All USB Type-C plug pins that are not listed in this table shall be open (not connected).