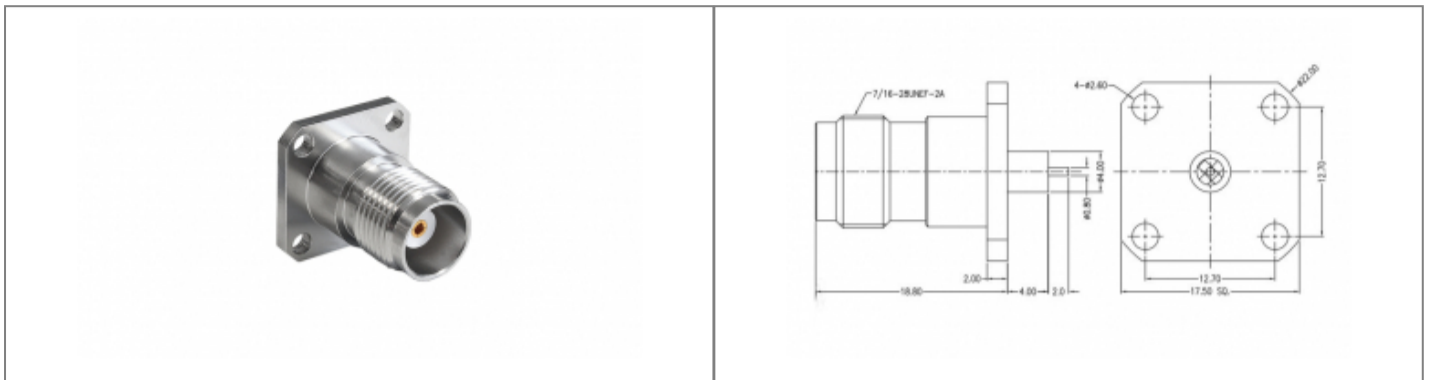


RFTNCAA4JFHFFGE Datasheet

Product Name // TNCA Jack Straight 4 Hole Flange RF Connector

[View Product Page](#)


// Product Description:

- ⊞ TNCA Jack Straight 4 Hole Flange RF Connector
- ⊞ Maximum Voltage: 500V
- ⊞ Temperature range: -65Å°C to +165Å°C
- ⊞ Frequency range: 0GHz - 11GHz
- ⊞ VSWR:
- ⊞ Dielectric withstanding Voltage: >1500V
- ⊞ Impedance: 50Ohm
- ⊞ Body Material: Stainless Steel Passivation
- ⊞ Contact Material: Beryllium Copper

// General Information:

Product Display Title:	TNCA Series Pin with Extended PTFE 4 Hole Flange
Product Family:	Radio Frequency Connectors
Product Series:	TNCA Series
Body Length:	18.80mm
Body Material:	Stainless Steel Passivation
Centre Contact Retention Force:	>26.7N
Contact Pin Material:	Beryllium Copper
Min Coupling Torque:	0.80Nm
Max Coupling Torque:	1.10Nm
Dielectric Withstanding Voltage:	>1500V
Durability:	>500 cycles
Flange Mount Length:	17.50mm
Function:	Female Flange Mount RF Connector
Impedance:	50Ohm
Insulation Resistance:	>5000MOhm
Insulator:	Adapter ASTM D 1710
Max Operating Temperature:	+165°C
Min Operating Temperature:	-65°C
Mount Hole Distance:	12.70mm
Min Operating Frequency:	0GHz
Max Operating Frequency:	11GHz
Pin Diameter:	0.80mm
Pin Length:	2.00mm
Ptfe Diameter:	4.00mm
Ptfe Length:	4.00mm
Thread Size:	7/16 28UNEF 2A
Voltage Max:	500V
Vswr:	<1.30

// Product PDF Links

[!\[\]\(d3102649f02e825ddb76dc3de0190154_img.jpg\) TNCA Series Product Datasheet](#)


Have a question or project enquiry
you'd like to talk to us about?

[!\[\]\(b4eeff342f60cc7bcd67d869b4fedca2_img.jpg\) Click Here To Contact Us](#)