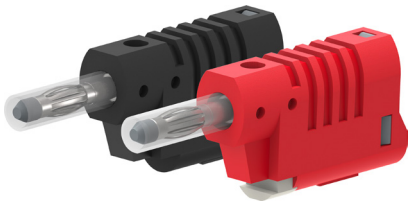


Banana Test Connectors

multicomp PRO



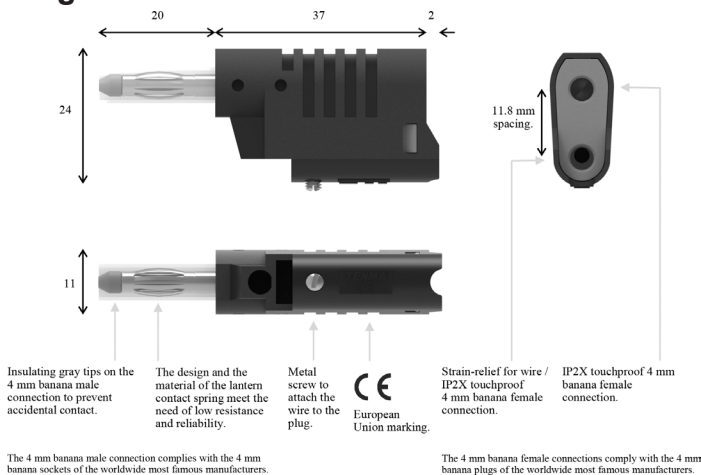
Description

Do-it-Yourself (DIY). Stacking retractable sleeve 4mm banana (male) Plug. Quick wire attachment. Repairing and making of 4mm banana leads or splitting of 4mm banana socket.

Specifications

Electrical Safety : Very Low Voltage only: 33V AC/70V DC, 36A (at +40°C)
Operating Temperature : -20°C to +80°C
Materials : Conductors: Nickel-coated brass, brass and steel
Weight : 0.015 kg.

Diagram



Part Number Table

Description	Colour	Part Number
Banana Test Connector, Plug, Cable Mount, 36A, 70V DC, Nickel Plated Contacts	Black	76-1652
	Red	76-1654

Dimensions : Millimetres

Important Notice : This data sheet and its contents (the "Information") belong to the members of the AVNET group of companies (the "Group") or are licensed to it. No licence is granted for the use of it other than for information purposes in connection with the products to which it relates. No licence of any intellectual property rights is granted. The Information is subject to change without notice and replaces all data sheets previously supplied. The Information supplied is believed to be accurate but the Group assumes no responsibility for its accuracy or completeness, any error in or omission from it or for any use made of it. Users of this data sheet should check for themselves the Information and the suitability of the products for their purpose and not make any assumptions based on information included or omitted. Liability for loss or damage resulting from any reliance on the Information or use of it (including liability resulting from negligence or where the Group was aware of the possibility of such loss or damage arising) is excluded. This will not operate to limit or restrict the Group's liability for death or personal injury resulting from its negligence. Multicomp Pro is the registered trademark of Premier Farnell Limited 2019.

Newark.com/multicomp-pro
Farnell.com/multicomp-pro
sg.element14.com/b/multicomp-pro

multicomp PRO