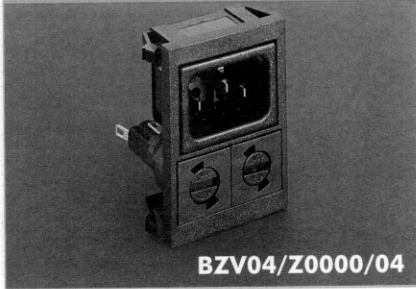
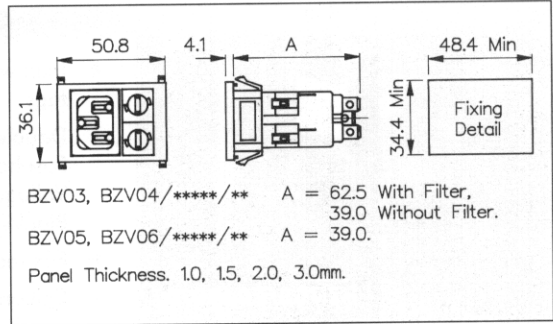


C14 and C16 IEC Inlet - Vertical

VERTICAL MODULE ARRANGEMENT



- Inlet with 2.8mm or 6.3mm tags
- Fuseholder/Voltage Selector/Indicator options/Blanking plate
- Filtered Inlet Option



How to Order

BZV xx / xxxxx / xx

Type of Inlet / Outlet

Filtered or Non Filtered Inlet

Combination of Other Components

C14 Power Inlet (cold condition), 6.3 or 2.8mm tabs:

- 03** = PX0575/63
- 04** = PX0575/28

C16 Power Inlet (hot condition), 6.3 or 2.8mm tabs:

- 05** = PX0595/63
- 06** = PX0595/28

Please note type 05 and 06 are not available in filtered version

Z0000 = Non Filtered
 Axxxx = Standard
 Bxxxx = Medical

For Filtered inlet use 6th to 9th characters from filter ordering code see pages 113-114.

E.g. BZV04/**A0120**/04

Twin Fuseholder:

04 = 2 x FX0359

Voltage Selector and Fuseholder:

14 = 1 x VS0001 + 1 x FX0359

Voltage selector and Neon:

- 37** = 1 x VS0001 + DX0928/110V/Red
- 38** = 1 x VS0001 + DX0928/110V/Green
- 39** = 1 x VS0001 + DX0928/250V/Red
- 40** = 1 x VS0001 + DX0928/250V/Green

Fuseholder and Neon:

- 41** = 1 x FX0359 + DX0928/110V/Red
- 42** = 1 x FX0359 + DX0928/110V/Green
- 43** = 1 x FX0359 + DX0928/250V/Red
- 44** = 1 x FX0359 + DX0928/250V/Green

Fuseholder and Blanking Plate:

45 = 1 x FX0359 + Blanking Plate

Voltage Selector and Blanking Plate:

B2 = 1 x VS0001 + Blanking Plate

Note: For technical details of individual components please see page 92