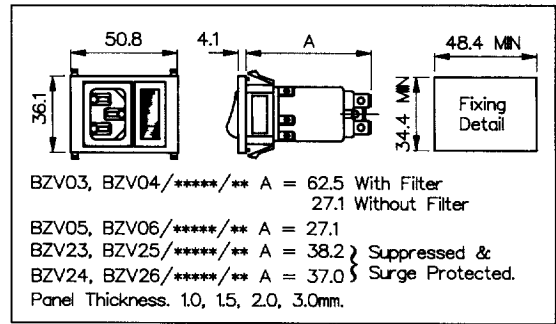


## IEC Inlet - Vertical



- Vertical Module Arrangement
- Snap-in Components
- Inlet Variations (with various tag sizes)
- Single Pole Switch or Neon Indicator Variations
- Filtered Inlet Option
- Options of O/I marked switches
- Non Fused



### How to Order

BZV xx / xxxxx / xx

Type of Inlet / Outlet	Filtered or Non Filtered Inlet	Combination of Other Components
Power Inlet (cold condition), 6.3 or 2.8mm tabs: <b>03</b> = PX0575/63 <b>04</b> = PX0575/28  Power Inlet (hot condition), 6.3 or 2.8mm tabs: <b>05</b> = PX0595/63 <b>06</b> = PX0595/28  Suppressed Power Inlet (cold condition), 6.3 or 2.8mm tabs: <b>23</b> = PXS575/63 <b>24</b> = PXS575/28  Surge Protected Power Inlet (cold condition), 6.3 or 2.8mm tabs: <b>25</b> = PXT575/63 <b>26</b> = PXT575/28  <div style="border: 1px solid black; padding: 5px; width: fit-content;">                         Please note type 05 and 06 are not available in filtered version                     </div>	Z0000 = Non Filtered Axxxx = Standard Bxxxx = Medical Cxxxx = High Performance Standard Dxxxx = High Performance Medical Exxxx = Earth Line Choke  <div style="border: 1px solid black; padding: 10px; text-align: center;">                         For Filtered inlet use 6th to 9th characters from filter ordering code see pages 75-79.                          E.g. BZV03/<b>A0120</b>/02                     </div>	Single Pole Switch: <b>01</b> = S.P. Switch  Single Pole Neon Switch: <b>02</b> = S.P. Red Neon Switch <b>08</b> = S.P. Green Neon Switch  Neon Indicator: <b>03</b> = Red Neon Indicator  Single Pole High Inrush Switch: <b>46</b> = S.P. High Inrush Switch  Single Pole Switch Marked O/I: <b>69</b> = S.P. Switch (O/I)  Single Pole Neon Switch Marked (O/I): <b>71</b> = S.P. Red Neon Switch (O/I) <b>74</b> = S.P. Green Neon Switch (O/I)  Single Pole High Inrush Switch Marked (O/I): <b>98</b> = S.P. High Inrush Switch (O/I)

Polysnap®

**Note: For technical details of individual components please see page 54**