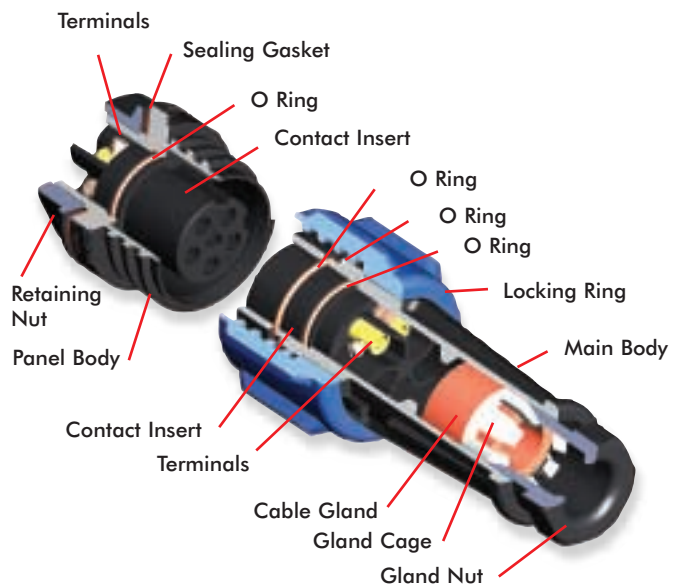


## 900 Series Buccaneer®



**IP68**

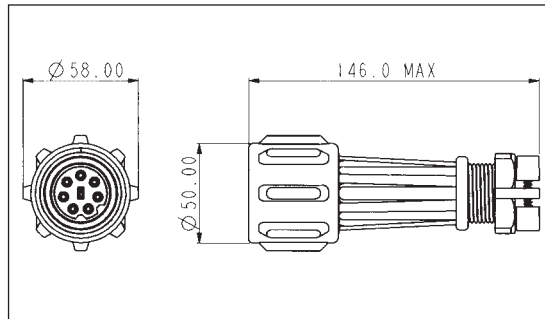
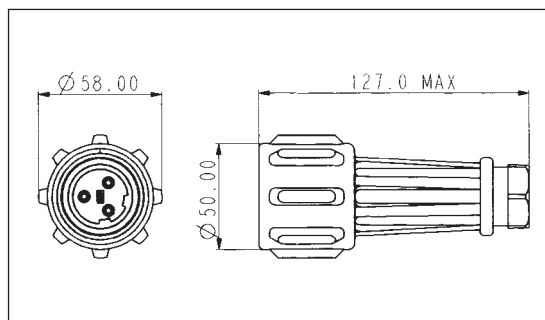


- 32A, 600V ac/dc rating
- 2, 3, 4, 5 and 7 pole
- Plug or socket connection in each body style
- Water and dustproof to IP68 when mated
- IP68 rating tested at 15lb/sq in (10m depth) for 2 weeks
- 'Scoop proof' contacts
- Field termination - screw terminations
- Positive locating keyways - cannot be misconnected
- Sealing caps available to maintain IP68 rating of unmated connectors
- Leading earth contact for 3, 4, 5 and 7 pole versions
- UL, CSA and VDE approvals
- Trailing Neutral on 5 pole
- Compact design
- Easy assembly - no special tools required
- Single or 3 phase applications
- Bulkhead moulding available for use with flange mounting body for 45° or 90° mounting (order each separately)
- Cost effective solution
- Two cable connector versions for 15mm and 22mm cable diameters
- Separate strain relief on large cable version

## 900 Series Buccaneer®



- Flex cable connector
- Positive, fast acting locking ring - can be turned with a gloved hand
- Mates with in-line flex or panel mounting versions
- Plug or socket versions
- PX0 Series 13-15mm cable dia. as standard, 7-13mm with additional gland pack
- PXA Series 20-22mm cable dia. as standard, 14-20mm with additional gland pack
- Strain Relief Clamp (PXA Series only)

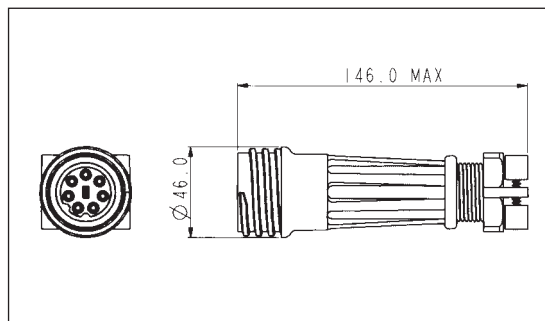
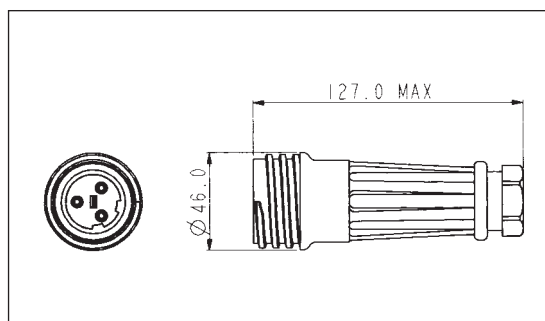


### Flex Cable

Standard Cable	Large Cable	Description	Standard Cable	Large Cable	Description
PX0911/02/P	PXA911/02/P	2 pole Plug	PX0911/02/S	PXA911/02/S	2 pole Socket
PX0911/03/P	PXA911/03/P	3 pole Plug	PX0911/03/S	PXA911/03/S	3 pole Socket
PX0911/04/P	PXA911/04/P	4 pole Plug	PX0911/04/S	PXA911/04/S	4 pole Socket
PX0911/05/P	PXA911/05/P	5 pole Plug	PX0911/05/S	PXA911/05/S	5 pole Socket
PX0911/07/P	PXA911/07/P	7 pole Plug	PX0911/07/S	PXA911/07/S	7 pole Socket



- In-line flex cable connector
- Mates with either PX0911/xx/x or PXA911/xx/x connectors
- Plug or socket versions
- PX0 Series 13-15mm cable dia. as standard, 7-13mm with additional gland pack
- PXA Series 20-22mm cable dia. as standard, 14-20mm with additional gland pack
- Strain Relief Clamp (PXA Series only)



### In-Line Flex Cable

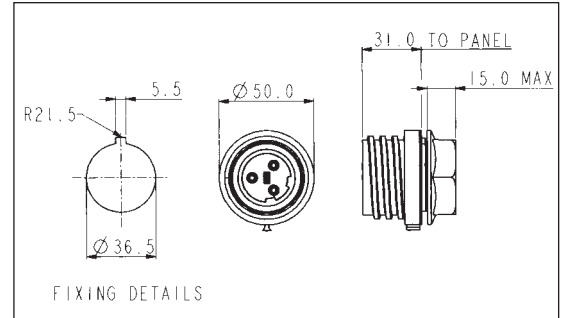
Standard Cable	Large Cable	Description	Standard Cable	Large Cable	Description
PX0921/02/P	PXA921/02/P	2 pole Plug	PX0921/02/S	PXA921/02/S	2 pole Socket
PX0921/03/P	PXA921/03/P	3 pole Plug	PX0921/03/S	PXA921/03/S	3 pole Socket
PX0921/04/P	PXA921/04/P	4 pole Plug	PX0921/04/S	PXA921/04/S	4 pole Socket
PX0921/05/P	PXA921/05/P	5 pole Plug	PX0921/05/S	PXA921/05/S	5 pole Socket
PX0921/07/P	PXA921/07/P	7 pole Plug	PX0921/07/S	PXA921/07/S	7 pole Socket

# BULGIN Buccaneer® Connectors

## 900 Series Buccaneer®



- Panel mounting connector
- Single hole fixing
- Anti-rotation key
- High grade sealing gasket
- 3-7mm panel thickness
- Mates with PX0911/xx/x and PXA911/xx/x connectors

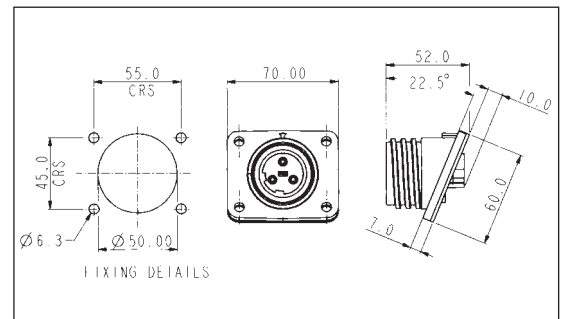


### Panel Mounting

PX0931/02/P	2 pole Plug	PX0931/02/S	2 pole Socket
PX0931/03/P	3 pole Plug	PX0931/03/S	3 pole Socket
PX0931/04/P	4 pole Plug	PX0931/04/S	4 pole Socket
PX0931/05/P	5 pole Plug	PX0931/05/S	5 pole Socket
PX0931/07/P	7 pole Plug	PX0931/07/S	7 pole Socket



- Flange mounting connector
- Supplied with high grade sealing gasket
- Supplied with sealing grommets for panel fixing screws (M6 thread recommended)
- Mates with PX0911/xx/x and PXA911/xx/x connectors



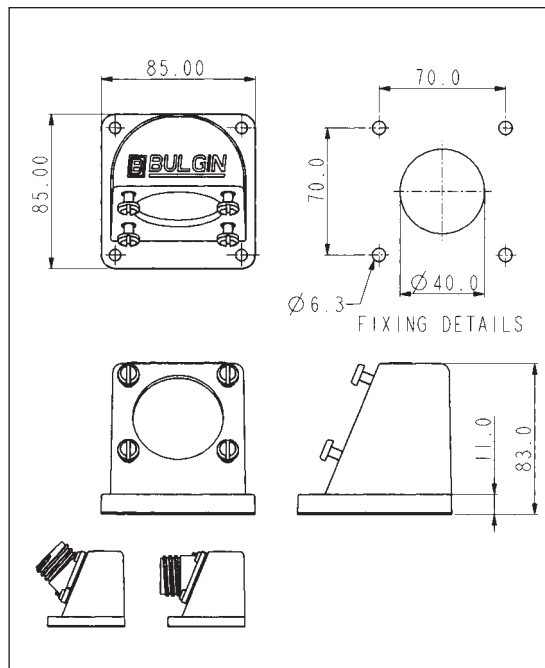
### Flange Mounting

PX0941/02/P	2 pole Plug	PX0941/02/S	2 pole Socket
PX0941/03/P	3 pole Plug	PX0941/03/S	3 pole Socket
PX0941/04/P	4 pole Plug	PX0941/04/S	4 pole Socket
PX0941/05/P	5 pole Plug	PX0941/05/S	5 pole Socket
PX0941/07/P	7 pole Plug	PX0941/07/S	7 pole Socket

## 900 Series Buccaneer®



- Additional bulkhead adaptor moulding
- For use with flange mounting connector PX0941, to give 45° or 90° angle
- Supplied with high grade sealing gasket
- Supplied with sealing grommets for panel fixing screws (M6 thread recommended)

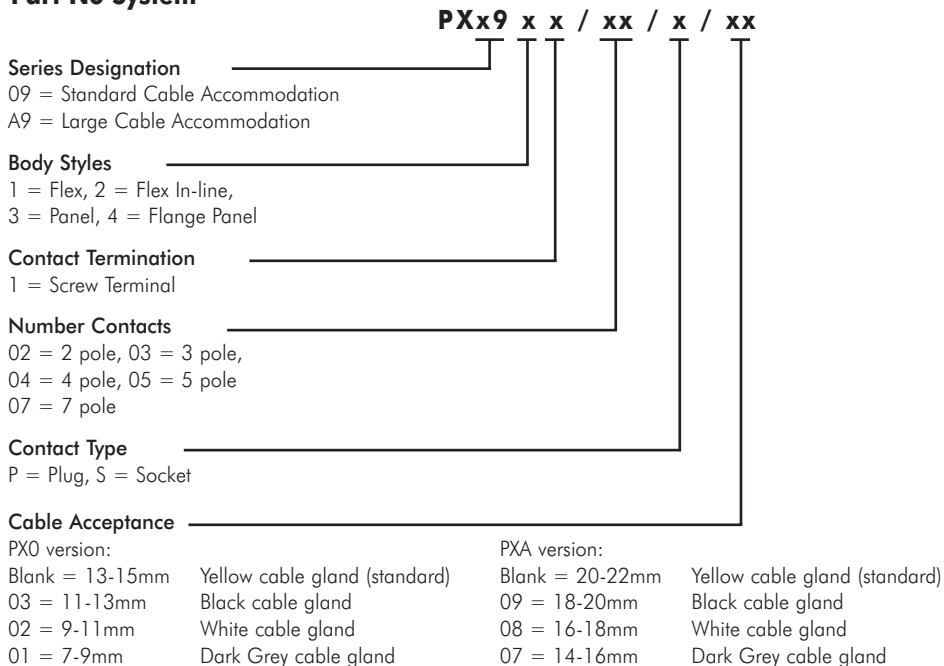


- Sealing caps to maintain IP68 rating of unmated connectors

### Accessories

PX0960	Sealing cap for use with PX0911/xx/x and PXA911/xx/x
PX0970	Sealing cap for use with all other styles
PX0980	Pack of 3 additional cable glands for PX0911 and PX0921 to suit cable sizes; 11-13mm, 9-11 and 7-9mm dia.
PXA980	Pack of 3 additional cable glands for PXA911 and PXA921 to suit cable sizes; 18-20mm, 16-18 and 14-16mm dia.

### Part No System



## 900 Series Buccaneer®

### Specification

#### Electrical:

No Poles:	2,3	4,5	7*
Current Rating:	32A 30A, CSA	32A 25A, CSA	32A
Voltage Rating:	600V ac/dc	600V ac/dc	430V ac/dc
Contact Resistance:	< 10mΩ (initial)		
Insulation Resistance:	> 10 <sup>6</sup> MΩ (@ 500V dc)		
Dielectric strength:	2.2kV ac min		
AC Breakdown voltage:	6kV a.c. min.		
Operating Temperature Range:	-40°C to +85°C		
Approvals:			

\* approvals pending

#### Material:

Body Mouldings:	Polyamide
Flammibility Rating:	UL94V-0
UV Resistance:	To EN50021: 1999
Contacts:	Machined Solid Brass, Nickel plated
O Rings:	Nitrile
Panel Sealing Gasket:	Silicone Rubber

#### Mechanical:

Sealing:	IP68, EN60529IP68 tested @ 15lb/sq.in. (10m depth) for 2 weeks
Cable Acceptance:	PX0911-PX0921 13 - 15mm O/D standard, 7-13mm with gland pack PXA911-PXA921 20 - 22mm O/D standard, 14 - 20mm with gland pack
Contact Accommodation:	2.5 (13AWG) to 4mm <sup>2</sup> (10AWG) conductor, single or multi stranded
Termination:	Axial screw terminals
Cable Retention force:	15mm dia, 150N 7mm dia, 80N
Tightening Torques:	
Panel mount nut	2.25 Nm
Cable gland nut	1.69 Nm
Flange & Bulkhead fixing screws	0.9 Nm

#### Dimensions:

Overall dimensions of connectors when mated together

PX0911 + PX0921	230 mm max.
PXA911 + PXA921	270 mm max.
PX0911 + PX0931	135 mm max. (to panel)
PXA911 + PX0931	175 mm max. (to panel)
PX0911 + PX0941	145 mm max. (to panel, mid point on flange)
PXA911 + PX0941	174 mm max. (to panel, mid point on flange)