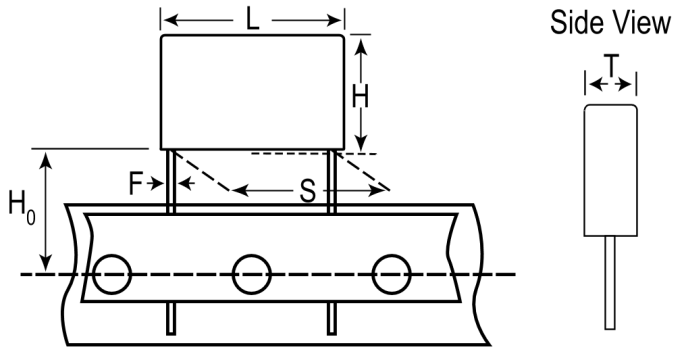


PME261KA5100KR19T0

Aliases (P561HE103K220L)

PME261/P561, Film, Metallized Paper, General Purpose, 0.01 uF, 10%, 400 VDC, 85°C, 10.2mm



Click [here](#) for the 3D model.

Dimensions

L	13.5mm -0.5mm
H	7.5mm -0.5mm
T	3.9mm -0.5mm
S	10.2mm +0.6/-0.1mm
H0	18.5mm +/-0.5mm
F	0.6mm +/-0.05mm

Packaging Specifications

Packaging	T&R
Packaging Quantity	700

General Information

Series	PME261/P561
Dielectric	Metallized Paper
Style	Radial
Features	Pulse in DC and low frequency applications
RoHS	Yes
Lead	Wire Leads
AEC-Q200	No
Construction	Molded
Typical Component Weight	0.63 g
Miscellaneous	AC Operation: 70C MAX.

Specifications

Capacitance	0.01 uF
Capacitance Tolerance	10%
Voltage AC	220 VAC
Voltage DC	400 VDC
Temperature Range	-40/+100°C
Rated Temperature	85°C
Dissipation Factor	1.3% 1kHz
Insulation Resistance	12 GOhms
Max dV/dt	2000 V/us