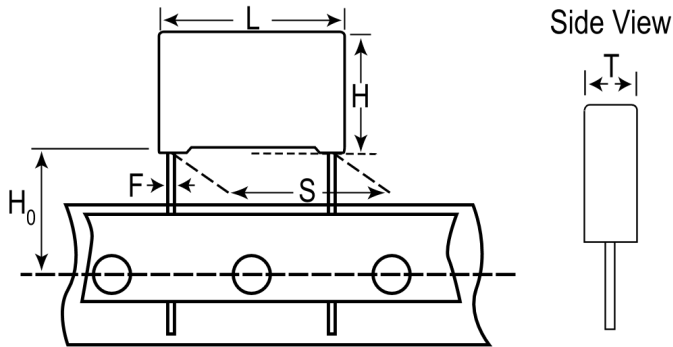


PHE841EB6100MR17T0

Aliases (F841BV104M330L, PHE841EB6100MB14R17T0)

Not for New Design

PHE841/F841, Film, Metallized Polypropylene, Safety, 0.1 uF, 20%, 330 VAC (X1), 1000 VDC, 100°C, 15mm



Click [here](#) for the 3D model.

Dimensions

L	18mm MAX
H	17.5mm MAX
T	9.5mm MAX
S	15mm +0.6/-0.1mm
H ₀	17mm NOM
F	0.8mm NOM

Packaging Specifications

Packaging	T&R
Packaging Quantity	350

General Information

Series	PHE841/F841
Dielectric	Metallized Polypropylene
Style	Radial
Features	EMI Safety
RoHS	Yes
Lead	Wire Leads
Safety Class	X1
Qualifications	ENEC, UL, cUL
AEC-Q200	No
THB Performance	No
Typical Component Weight	3.74 g

Specifications

Capacitance	0.1 uF
Capacitance Tolerance	20%
Voltage AC	330 VAC (X1)
Voltage DC	1000 VDC
Temperature Range	-40/+100°C
Rated Temperature	100°C
Dissipation Factor	0.1% 1kHz, 0.2% 10kHz, 0.6% 100kHz
Insulation Resistance	30 GOhms
Max dV/dt	100 V/us