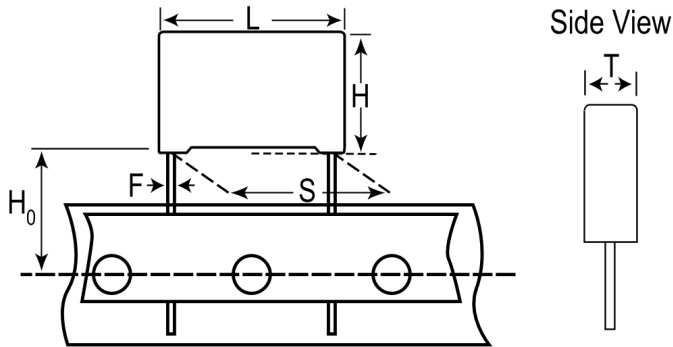


PHE840EY7100MD16R17T1

Aliases (F840DT105M300P)

Not for New Design • Recommended Replacement Series R46 X2 310 VAC

PHE840E/F840, Film, Metallized Polypropylene, Safety, 1 uF, 20%, 300 VAC (X2), 760 VDC, 105°C, 22.5mm



General Information

Series	PHE840E/F840
Dielectric	Metallized Polypropylene
Style	Radial
Features	EMI Safety
RoHS	Yes
Lead	Wire Leads
Safety Class	X2
Qualifications	ENEC, UL, cUL
AEC-Q200	No
THB Performance	No
Typical Component Weight	7.218 g
Notes	Not for new design - the replacement series is: R46 X2 310VAC.

Click [here](#) for the 3D model.

Dimensions

L	26mm MAX
H	21.5mm MAX
T	11mm MAX
S	22.5mm +0.6/-0.1mm
H0	17mm NOM
F	0.8mm NOM

Packaging Specifications

Packaging T&R, Large

Specifications

Capacitance	1 uF
Capacitance Tolerance	20%
Voltage AC	300 VAC (X2)
Voltage DC	760 VDC
Temperature Range	-55/+105°C
Rated Temperature	105°C
Dissipation Factor	0.1% 1kHz, 0.4% 10kHz
Insulation Resistance	10 GOhms
Max dV/dt	100 V/us